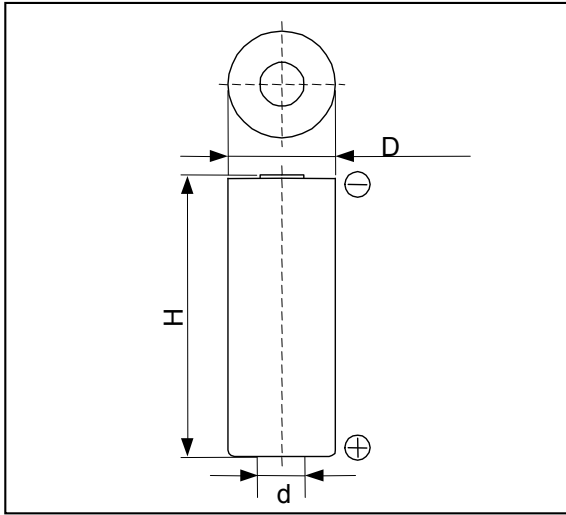


## Cell Type CR17450HE-N Specifications



Nominal Capacity <sup>*1</sup>		1700mAh
Nominal Voltage		3V
Standard Discharge Current		5mA
Max. Discharge Current	Continuous <sup>*2</sup>	1800mA
	Pulse <sup>*3</sup>	5000mA
Temperature Range		-40°C ~ 85°C
Weight		23g
Dimensions	D	17.0mm
	H	45.0mm
	d	7mm

\*1 Nominal capacity is determined to an end voltage of 2.0V when the battery is allowed to discharge at a standard current level at 23°C.

\*2 Current value is determined to be the level at which 50% of the nominal capacity is obtained with an end voltage of 2.0V at 23°C.

\*3 Current value for obtaining 1.0V cell voltage when pulse is applied for 15seconds at 50% discharge depth at 23°C.

### Typical Characteristics

Discharge Characteristics of CR17450HE-N

