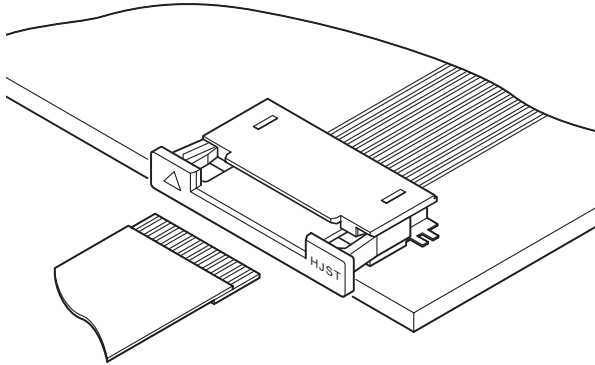




FLZ CONNECTOR

0.5mm pitch/Connectors for FFC and FPC



This extremely small 0.5mm pitch connector with a height of only 2.0mm above the PCB surface allows interconnection in extremely small spaces and is an example of JST's leading edge technology.

- **Zero insertion force mechanism**
- **Heat resisting design suitable for surface mounting**
- **In-line surface mount tails**
- **Two types of connections**
- **Embossed tape for automatic mounting**

Specifications

- Current rating: 0.5A AC, DC
- Voltage rating: 50V AC, DC
- Temperature range: -25°C to +85°C
(including temperature rise in applying electrical current)
- Contact resistance: Initial value/40m Ω max.
After environmental testing/60m Ω max.
- Insulation resistance: 800M Ω min.
- Withstanding voltage: 200V AC/minute
- Applicable FFC and FPC: Conductor pitch/0.5mm
Conductor width/0.35mm
Mating part thickness/0.30±0.03mm

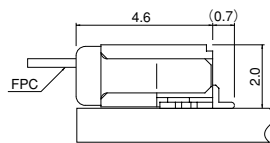
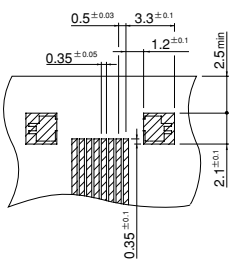
Note: FFC and FPC to be actually used should be checked for applicability.

- * RoHS compliant products are published.
- * Refer to "General Instruction and Notice when using Terminals and Connectors" at the end of this catalog.
- * Contact JST for details.

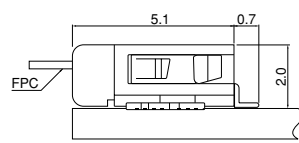
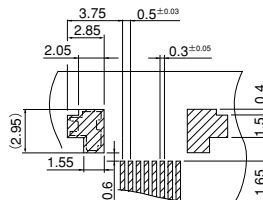
Standards

- Ⓜ Recognized E60389
- Ⓢ Certified LR20812

PC board layout (viewed from component side) and Assembly layout



Inner lock type

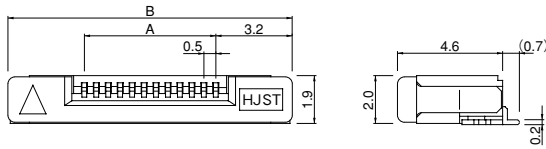


Note: 1. Tolerances are non-cumulative; ±0.03mm for all centers.
2. The dimensions above should serve as a guideline. Contact JST for details.

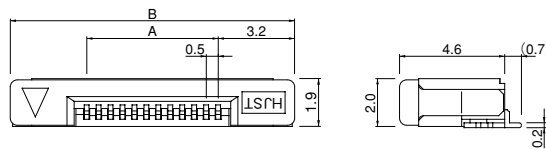
FLZ CONNECTOR

Connector

Normal type

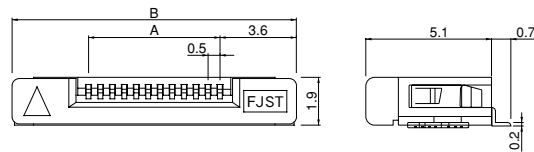


Reverse type

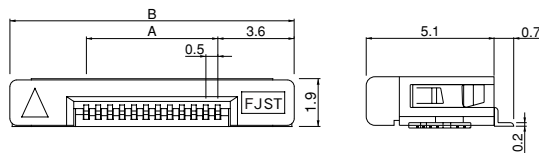


<Inner lock type>

Normal type



Reverse type



Circuits	Model No.		Dimensions (mm)		Q'ty / reel
	Normal type	Reverse type	A	B	
6	06FLZ-SM2-TB	06FLZ-RSM2-TB	2.5	8.9	2,000
7	07FLZ-SM2-TB	07FLZ-RSM2-TB	3.0	9.4	2,000
8	08FLZ-SM2-TB	08FLZ-RSM2-TB	3.5	9.9	2,000
9	09FLZ-SM2-TB	09FLZ-RSM2-TB	4.0	10.4	2,000
10	10FLZ-SM2-TB	10FLZ-RSM2-TB	4.5	10.9	2,000
11	11FLZ-SM2-TB	11FLZ-RSM2-TB	5.0	11.4	2,000
12	12FLZ-SM2-TB	12FLZ-RSM2-TB	5.5	11.9	2,000
13	13FLZ-SM2-TB	13FLZ-RSM2-TB	6.0	12.4	2,000
14	14FLZ-SM2-TB	14FLZ-RSM2-TB	6.5	12.9	2,000
15	15FLZ-SM2-TB	15FLZ-RSM2-TB	7.0	13.4	2,000
16	16FLZ-SM2-TB	16FLZ-RSM2-TB	7.5	13.9	2,000
17	17FLZ-SM2-TB	17FLZ-RSM2-TB	8.0	14.4	2,000
18	18FLZ-SM2-TB	18FLZ-RSM2-TB	8.5	14.9	2,000
19	19FLZ-SM2-TB	19FLZ-RSM2-TB	9.0	15.4	2,000
20	20FLZ-SM2-TB	20FLZ-RSM2-TB	9.5	15.9	2,000
21	21FLZ-SM2-TB	21FLZ-RSM2-TB	10.0	16.4	2,000
22	22FLZ-SM2-TB	22FLZ-RSM2-TB	10.5	16.9	2,000
23	23FLZ-SM2-TB	23FLZ-RSM2-TB	11.0	17.4	2,000
24	24FLZ-SM2-TB	24FLZ-RSM2-TB	11.5	17.9	2,000
25	25FLZ-SM2-TB	25FLZ-RSM2-TB	12.0	18.4	2,000
26	26FLZ-SM2-TB	26FLZ-RSM2-TB	12.5	18.9	2,000
27	27FLZ-SM2-TB	27FLZ-RSM2-TB	13.0	19.4	2,000
28	28FLZ-SM2-TB	28FLZ-RSM2-TB	13.5	19.9	2,000
30	30FLZ-SM2-TB	30FLZ-RSM2-TB	14.5	20.9	2,000
33	33FLZ-SM2-TB	—	16.0	22.4	2,000

<Inner lock type>

Circuits	Model No.		Dimensions (mm)		Q'ty / reel
	Normal type	Reverse type	A	B	
13	—	13FLZ-RSM2-R-TB	6.0	13.1	2,000
30	30FLZ-SM2-R-TB	—	14.5	21.6	2,000
32	32FLZ-SM2-R-TB	32FLZ-RSM2-R-TB	15.5	22.6	2,000
34	34FLZ-SM2-R-TB	34FLZ-RSM2-R-TB	16.5	23.6	2,000
36	36FLZ-SM2-R-TB	36FLZ-RSM2-R-TB	17.5	24.6	2,000
40	40FLZ-SM2-R-TB	40FLZ-RSM2-R-TB	19.5	26.6	2,000
42	42FLZ-SM2-R-TB	—	20.5	27.6	2,000
45	45FLZ-SM2-R-TB	—	22.0	29.1	2,000
50	50FLZ-SM2-R-TB	—	24.5	31.6	2,000

Material and Finish

Contact: Phosphor bronze, copper-undercoated, tin-plated (reflow treatment)

Slider housing: PA 6T, UL94V-0 (black)

Housing: PA 6T, UL94V-0

Normal type--gray

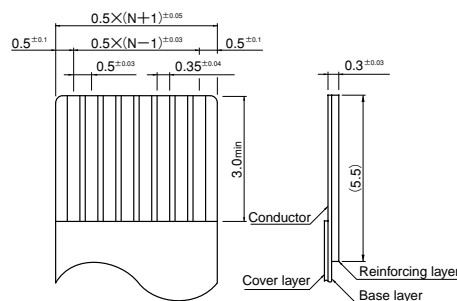
Reverse type--natural

Solder tab: Phosphor bronze, copper-undercoated, tin-plated (reflow treatment)

RoHS compliance This product displays (LF)(SN) on a label.

Note: The products listed above are supplied on embossed tape.

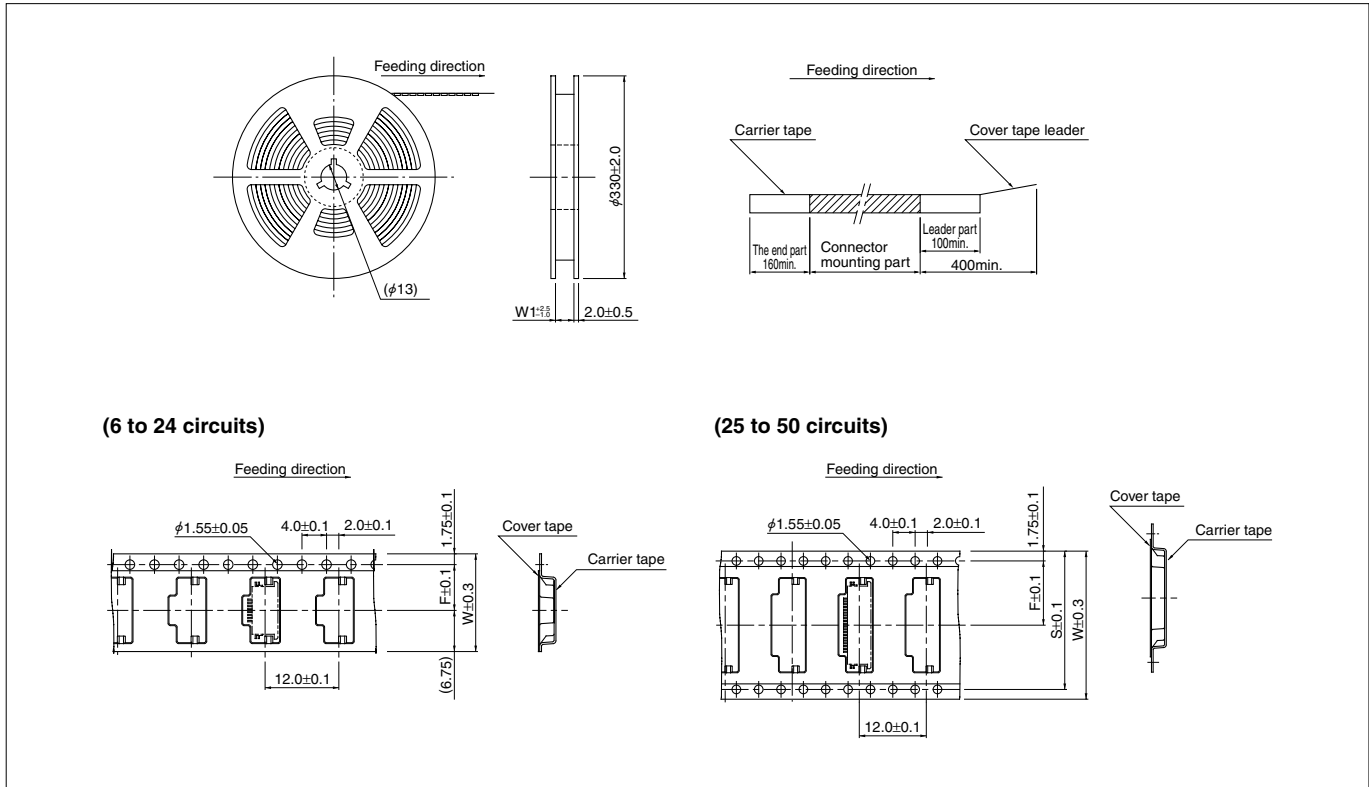
Lead section dimensions of FFC and FPC



Note: N --- Number of circuits

FLZ CONNECTOR

Taping specifications



Circuits	Taping dimensions (mm)			Reel dimensions (mm)	Q'ty / reel
	F	S	W	W1	
6 to 8	7.5	-	16.0	17.5	2,000
9 to 24	11.5	-	24.0	25.5	2,000
25 to 30	14.2	28.4	32.0	33.5	2,000
32 to 50	20.2	40.4	44.0	45.5	2,000

Note:

1. Specifications conform to JIS C 0806. The tape width, connector recess dimensions, etc. are determined by the number of circuits and external shape of the connector to be loaded.
2. Specifications are subject to change without prior notice.