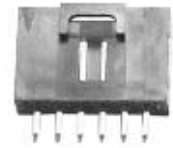
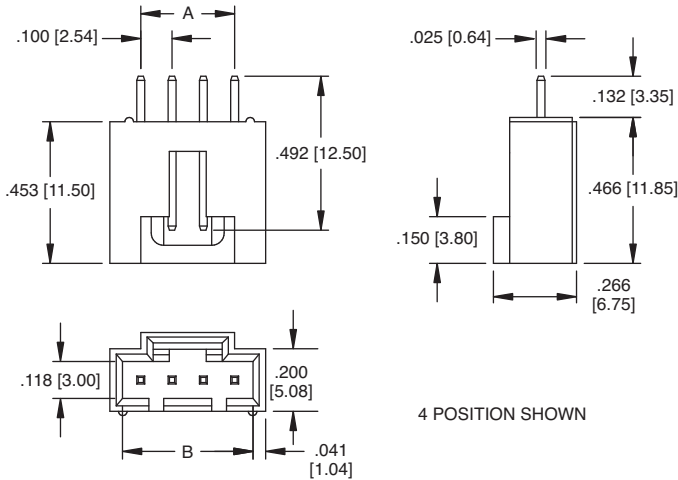
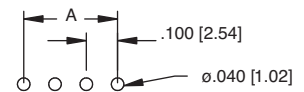


**CDR
STRAIGHT PCB MOUNT**



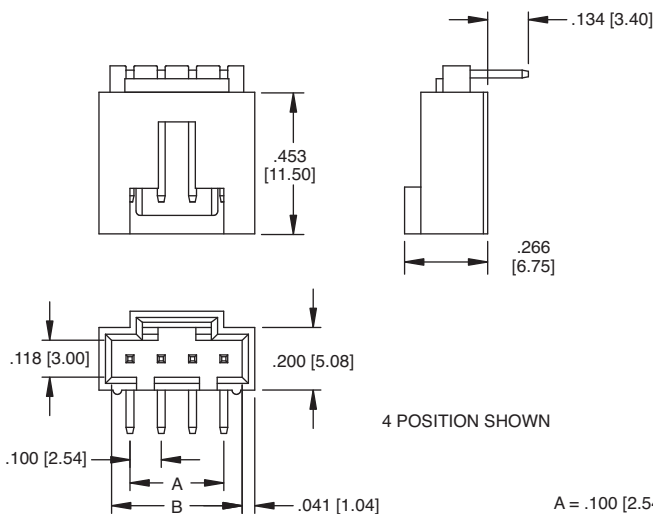
CDR-06-TS



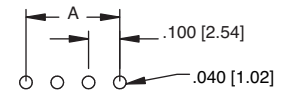
Recommended PCB Layout

A = .100 [2.54] X No. of SPACES
B = .100 [2.54] X No. of SPACES + .200 [5.08]

**CDR
RIGHT ANGLE PCB MOUNT**



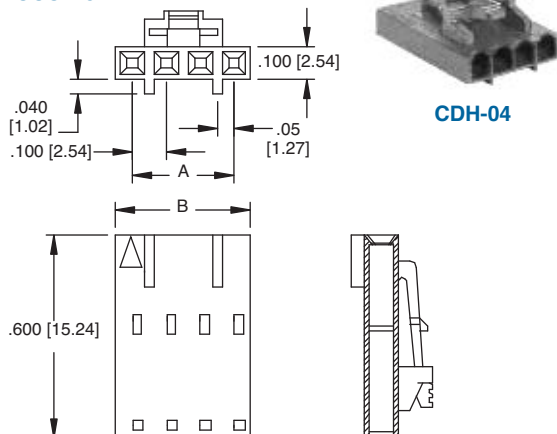
CDR-06-TR



Recommended PCB Layout

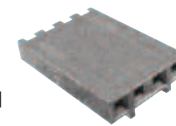
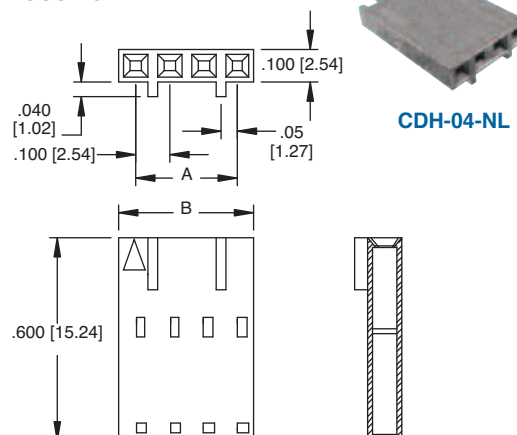
A = .100 [2.54] X No. of SPACES
B = .100 [2.54] X No. of SPACES + .200 [5.08]

**CDH
HOUSING**



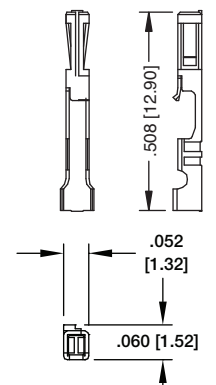
CDH-04

**CDH
HOUSING**



CDH-04-NL

**CDH-C-R
CONTACT**



**Recommended
wire size 24-28 awg.**