

Rad-Hard, 5.0V/3.3V μ -Processor Supervisory Circuits

ISL705ARH, ISL705BRH, ISL705CRH, ISL706ARH, ISL706BRH, ISL706CRH

This family of devices are radiation hardened 5.0V/3.3V supervisory circuits that reduce the complexity required to monitor supply voltages in microprocessor systems. These devices significantly improve accuracy and reliability relative to discrete solutions. Each IC provides four key functions.

1. A reset output during power-up, power-down, and brownout conditions.
2. An independent watchdog output that goes low if the watchdog input has not been toggled within 1.6s.
3. A precision threshold detector for monitoring a power supply other than V_{DD} .
4. An active-low manual-reset input.

Specifications for Rad Hard QML devices are controlled by the Defense Logistics Agency Land and Maritime (DLA). The SMD numbers listed in the "Ordering Information" table on page 3 must be used when ordering.

Detailed Electrical Specifications for the ISL705ARH, ISL705BRH, ISL705CRH, ISL706ARH, ISL706BRH and ISL706CRH are contained in SMD 5962-11213. A "hot-link" is provided on our website for downloading.

Applications

- Supervisor for μ -Processors, μ -Controllers, FPGAs and DSPs
- Critical Power Supply Monitoring
- Reliable Replacement of Discrete Solutions

Features

- Electrically Screened to SMD 5962-11213
- QML Qualified per MIL-PRF-38535 Requirements
- Radiation Hardness
 - High Dose Rate. 100krad(Si)
 - SEL/SEB LET_{TH}. 86MeV/mg/cm²
- Precision Supply Voltage Monitor
 - 4.65V Threshold in the ISL705ARH/BRH/CRH
 - 3.08V Threshold in the ISL706ARH/BRH/CRH
- 200ms (Typ) Reset Pulse Width
 - Active High, Active Low and Open Drain Options
- Independent Watchdog Timer with 1.6s (Typ) Timeout
- Precision Threshold Detector
 - 1.25V Threshold in the ISL705ARH/BRH/CRH
 - 0.6V Threshold in the ISL706ARH/BRH/CRH
- Debounced TTL/CMOS Compatible Manual-Reset Input
- Reset Output Valid at $V_{DD} = 1.2V$

Related Literature

- ISL705RH Voltage Supervisory Circuit Evaluation Board User's Guide
- ISL706RH Voltage Supervisory Circuit Evaluation Board User's Guide

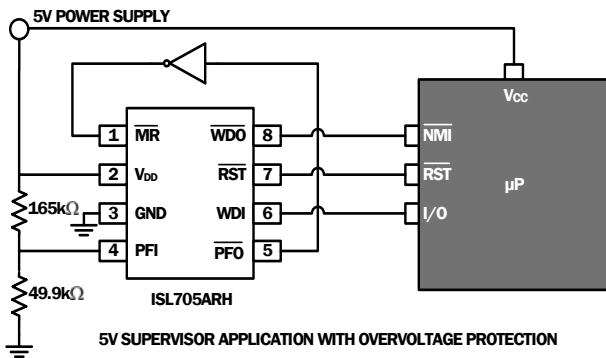


FIGURE 1. TYPICAL APPLICATION

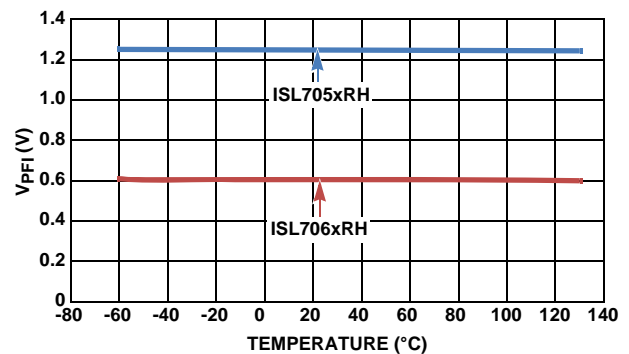
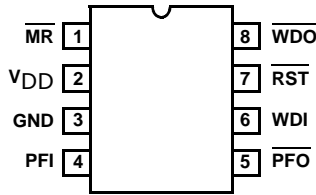


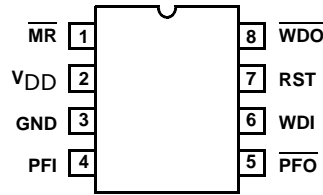
FIGURE 2. PRECISION THRESHOLD DETECTOR TEMPERATURE CHARACTERISTICS CURVE

Pin Configurations

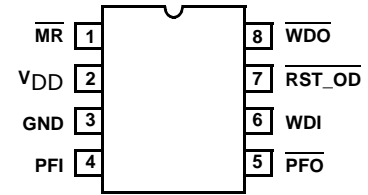
ISL705ARH, ISL706ARH
(8 LD FLATPACK)
TOP VIEW



ISL705BRH, ISL706BRH
(8 LD FLATPACK)
TOP VIEW



ISL705CRH, ISL706CRH
(8 LD FLATPACK)
TOP VIEW



Pin Descriptions

ISL705ARH ISL706ARH	ISL705BRH ISL706BRH	ISL705CRH ISL706CRH	NAME	DESCRIPTION
1	1	1	$\overline{\text{MR}}$	Manual Reset. $\overline{\text{MR}}$ is an active-low, debounced, TTL/CMOS compatible input that may be used to trigger a reset pulse.
2	2	2	V_{DD}	Power Supply. V_{DD} is a supply voltage input that provides power to all internal circuitry. This input is also monitored and used to trigger a reset pulse. Reset is guaranteed operable after V_{DD} rises above 1.2V.
3	3	3	GND	Ground. GND is a supply voltage return for all internal circuitry. This return establishes the reference level for voltage detection and should be connected to signal ground.
4	4	4	PFI	Power Fail Input. PFI is an input to a threshold detector, which may be used to monitor another supply voltage level. The threshold of the detector (V_{PFI}) is 1.25V in the ISL705ARH/BRH/CRH and 0.6V in the ISL706ARH/BRH/CRH.
5	5	5	$\overline{\text{PFO}}$	Power Fail Output. $\overline{\text{PFO}}$ is an active-low, push-pull output of a threshold detector that indicates the voltage at the PFI pin is less than V_{PFI} .
6	6	6	WDI	Watchdog Input. WDI is a tri-state input that monitors microprocessor activity. If the microprocessor does not toggle WDI within 1.6s and WDI is not tri-stated, $\overline{\text{WDO}}$ goes low. As long as reset is asserted or WDI is tri-stated, the watchdog timer will stay cleared and will not count. As soon as reset is released and WDI is driven high or low, the timer will start counting. Floating WDI or connecting WDI to a high impedance tri-state buffer disables the watchdog feature.
7	-	-	$\overline{\text{RST}}$	Reset. $\overline{\text{RST}}$ is an active-low, push-pull output that is guaranteed to be low once V_{DD} reaches 1.2V. As V_{DD} rises, $\overline{\text{RST}}$ stays low. When V_{DD} rises above a 4.65V (ISL705ARH/BRH/CRH) or 3.08V (ISL706ARH/BRH/CRH) reset threshold, an internal timer releases $\overline{\text{RST}}$ after about 200ms. $\overline{\text{RST}}$ pulses low whenever V_{DD} goes below the reset threshold. If a brownout condition occurs in the middle of a previously initiated reset pulse, the pulse will continue for at least 140ms. On power-down, once V_{DD} falls below the reset threshold, $\overline{\text{RST}}$ goes low and is guaranteed low until V_{DD} drops below 1.2V.
-	7	-	RST	Reset. RST is an active-high, push-pull output. RST is the inverse of $\overline{\text{RST}}$.
-	-	7	$\overline{\text{RST_OD}}$	Reset. $\overline{\text{RST_OD}}$ is an active-low, open-drain output that goes low when reset is asserted. This pin may be pulled up to V_{DD} with a resistor consistent with the sink and leakage current specifications of the output. Behavior is otherwise identical to the RST pin.
8	8	8	$\overline{\text{WDO}}$	Watchdog Output. $\overline{\text{WDO}}$ is an active-low, push-pull output that goes low if the microprocessor does not toggle WDI within 1.6s and WDI is not tri-stated. $\overline{\text{WDO}}$ is usually connected to the non-maskable interrupt input of a microprocessor. When V_{DD} drops below the reset threshold, $\overline{\text{WDO}}$ will go low whether or not the watchdog timer has timed out. Reset is simultaneously asserted, thus preventing an interrupt. Since floating WDI disables the internal timer, $\overline{\text{WDO}}$ goes low only when V_{DD} drops below the reset threshold, thus functioning as a low line output.

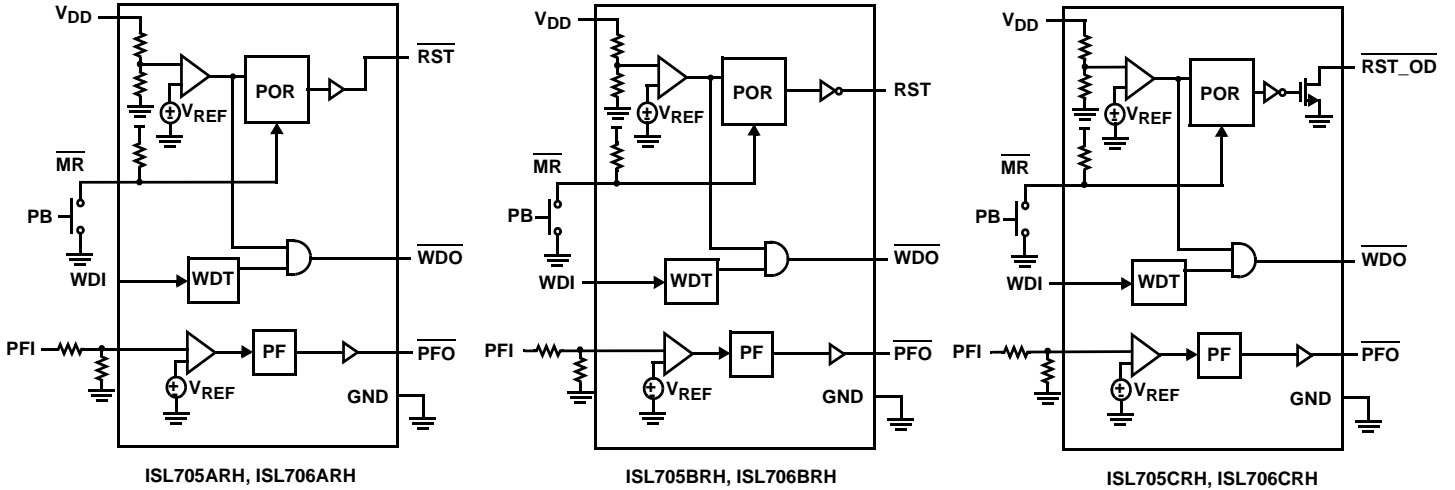
Ordering Information

ORDERING NUMBER	PART NUMBER	TEMP RANGE (°C)	PACKAGE (RoHs Compliant)	PKG. DWG. #
5962R1121301QXC	ISL705ARHQF (Note 1)	-55 to +125	8 Ld Flatpack	K8.A
5962R1121301VXC	ISL705ARHVF (Note 1)	-55 to +125	8 Ld Flatpack	K8.A
5962R1121301V9A	ISL705ARHVX	-55 to +125	Die	
ISL705ARHF/PROTO	ISL705ARHF/PROTO (Note 1)	-55 to +125	8 Ld Flatpack	K8.A
ISL705ARHX/SAMPLE	ISL705ARHX/SAMPLE	-55 to +125	Die	
5962R1121302QXC	ISL705BRHQF (Note 1)	-55 to +125	8 Ld Flatpack	K8.A
5962R1121302VXC	ISL705BRHVF (Note 1)	-55 to +125	8 Ld Flatpack	K8.A
5962R1121302V9A	ISL705BRHVX	-55 to +125	Die	
ISL705BRHF/PROTO	ISL705BRHF/PROTO (Note 1)	-55 to +125	8 Ld Flatpack	K8.A
ISL705BRHX/SAMPLE	ISL705BRHX/SAMPLE	-55 to +125	Die	
5962R1121303QXC	ISL705CRHQF (Note 1)	-55 to +125	8 Ld Flatpack	K8.A
5962R1121303VXC	ISL705CRHVF (Note 1)	-55 to +125	8 Ld Flatpack	K8.A
5962R1121303V9A	ISL705CRHVX	-55 to +125	Die	
ISL705CRHF/PROTO	ISL705CRHF/PROTO (Note 1)	-55 to +125	8 Ld Flatpack	K8.A
ISL705CRHX/SAMPLE	ISL705CRHX/SAMPLE	-55 to +125	Die	
5962R1121304QXC	ISL706ARHQF (Note 1)	-55 to +125	8 Ld Flatpack	K8.A
5962R1121304VXC	ISL706ARHVF (Note 1)	-55 to +125	8 Ld Flatpack	K8.A
5962R1121304V9A	ISL706ARHVX	-55 to +125	Die	
ISL706ARHF/PROTO	ISL706ARHF/PROTO (Note 1)	-55 to +125	8 Ld Flatpack	K8.A
ISL706ARHX/SAMPLE	ISL706ARHX/SAMPLE	-55 to +125	Die	
5962R1121305QXC	ISL706BRHQF (Note 1)	-55 to +125	8 Ld Flatpack	K8.A
5962R1121305VXC	ISL706BRHVF (Note 1)	-55 to +125	8 Ld Flatpack	K8.A
5962R1121305V9A	ISL706BRHVX	-55 to +125	Die	
ISL706BRHF/PROTO	ISL706BRHF/PROTO (Note 1)	-55 to +125	8 Ld Flatpack	K8.A
ISL706BRHX/SAMPLE	ISL706BRHX/SAMPLE	-55 to +125	Die	
5962R1121306QXC	ISL706CRHQF (Note 1)	-55 to +125	8 Ld Flatpack	K8.A
5962R1121306VXC	ISL706CRHVF (Note 1)	-55 to +125	8 Ld Flatpack	K8.A
5962R1121306V9A	ISL706CRHVX	-55 to +125	Die	
ISL706CRHF/PROTO	ISL706CRHF/PROTO (Note 1)	-55 to +125	8 Ld Flatpack	K8.A
ISL706CRHX/SAMPLE	ISL706CRHX/SAMPLE	-55 to +125	Die	
ISL705XRHEVAL1Z	ISL705XRH Evaluation Board			
ISL706XRHEVAL1Z	ISL706XRH Evaluation Board			

NOTE:

1. These Intersil Pb-free Hermetic packaged products employ 100% Au plate - e4 termination finish, which is RoHS compliant and compatible with both SnPb and Pb-free soldering operations.

Functional Block Diagrams



Timing Diagrams

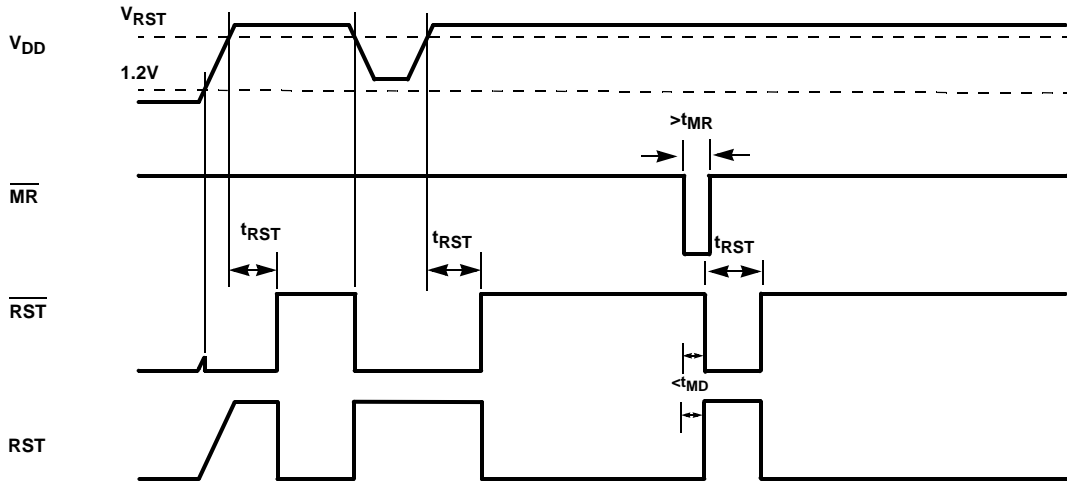


FIGURE 3. RST, $\overline{\text{RST}}$, $\overline{\text{MR}}$ AND $\overline{\text{WDO}}$ TIMING DIAGRAM

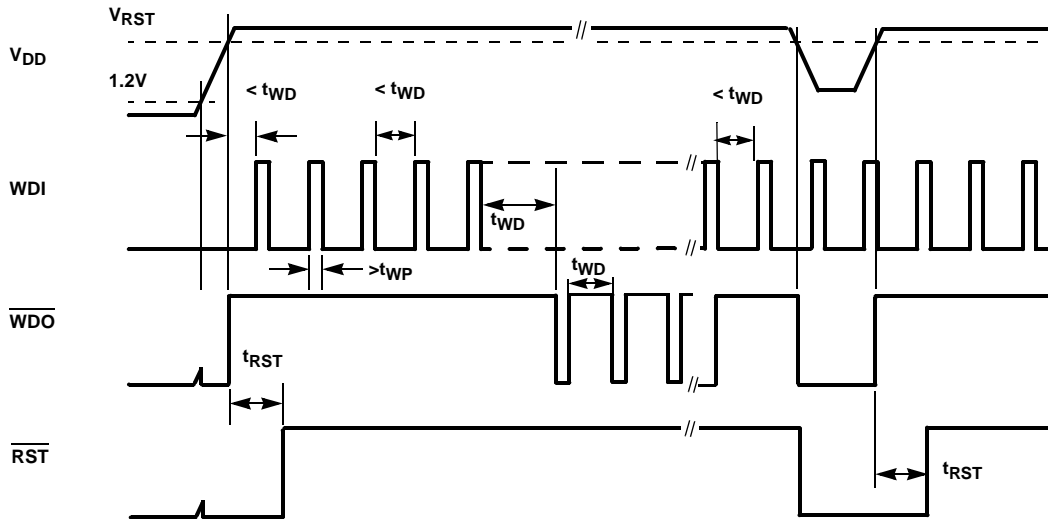


FIGURE 4. WATCHDOG TIMING DIAGRAM

ISL705ARH, ISL705BRH, ISL705CRH, ISL706ARH, ISL706BRH, ISL706CRH

Absolute Maximum Ratings

Supply Voltage Range	-0.3V to 6.5V
Voltage on All Other Inputs	-0.3V to $V_{DD} + 0.3V$
ESD Rating	
Human Body Model (Tested per MIL-PRF-883 3015.7)	3.0kV
Machine Model (Tested per JESD22-A115C)	300V
Charged Device Model (Tested per JESD22-C110D)	1.0kV
Latch Up (Tested per JESD-78C)	Class 2, Level A

Thermal Information

Thermal Resistance (Typical)	θ_{JA} ($^{\circ}C/W$)	θ_{JC} ($^{\circ}C/W$)
8 Ld Flatpack Package (Notes 2, 3)	140	15
Maximum Junction Temperature	+175 $^{\circ}C$	
Storage Temperature Range	-65 $^{\circ}C$ to +150 $^{\circ}C$	

Recommended Operating Conditions

Temperature	-55 $^{\circ}C$ to +125 $^{\circ}C$
Supply Voltage	
ISL705ARH/BRH/CRH	4.75V to 5.5V
ISL706ARH/BRH/CRH	3.15V to 3.6V

CAUTION: Do not operate at or near the maximum ratings listed for extended periods of time. Exposure to such conditions may adversely impact product reliability and result in failures not covered by warranty.

NOTES:

- θ_{JA} is measured with the component mounted on a low effective thermal conductivity test board in free air. See Tech Brief [TB379](#) for details.
- For θ_{JC} , the "case temp" location is the center of the package underside.

Electrical Specifications Unless otherwise specified $V_{DD} = 4.75V$ to $5.5V$ for the ISL705ARH/BRH/CRH, $V_{DD} = 3.15V$ to $3.6V$ for the ISL706ARH/BRH/CRH $T_A = -55^{\circ}C$ to $+125^{\circ}C$. **Boldface limits apply over the ambient operating temperature range, -55 $^{\circ}C$ to +125 $^{\circ}C$.**

SYMBOL	PARAMETER	CONDITIONS	MIN (Note 4)	TYP (Note 5)	MAX (Note 4)	UNITS
POWER SUPPLY SECTION						
V_{DD}	Operating Supply Voltage (Note 6)	ISL705ARH/BRH/CRH	1.2	5	5.5	V
		ISL706ARH/BRH/CRH	1.2	3.3	3.6	V
I_{DD}	Operating Supply Current	ISL705ARH/BRH/CRH			530	μA
		ISL706ARH/BRH/CRH			400	μA
RESET SECTION						
V_{RST}	Reset Threshold Voltage	ISL705ARH/BRH/CRH	4.50	4.65	4.75	V
		ISL706ARH/BRH/CRH	3.00	3.08	3.15	V
V_{HYS}	Reset Threshold Voltage Hysteresis	ISL705ARH/BRH/CRH	20	40		mV
		ISL706ARH/BRH/CRH	20	30		mV
t_{RST}	Reset Pulse Width		140	200	280	ms
V_{OUT}	Reset Output Voltage	ISL705ARH/BRH, $I_{SOURCE} = 800\mu A$	$V_{DD} - 1.5$			V
		ISL705ARH/BRH/CRH, $I_{SINK} = 3.2mA$			0.4	V
		ISL706ARH/BRH, $I_{SOURCE} = 500\mu A$	$0.8 \times V_{DD}$			V
		ISL706ARH/BRH/CRH, $I_{SINK} = 1.2mA$			0.3	V
		ISL70XARH/CRH, $V_{DD} = 1.2V$, $I_{SINK} = 100\mu A$			0.3	V
		ISL70XBRH, $V_{DD} = 1.2V$, $I_{SOURCE} = 4\mu A$	0.9			V
I_{LEAK}	Reset Output Leakage Current	ISL705CRH, $V_{OUT} = V_{DD}$			1	μA
		ISL706CRH, $V_{OUT} = V_{DD}$			1	μA

ISL705ARH, ISL705BRH, ISL705CRH, ISL706ARH, ISL706BRH, ISL706CRH

Electrical Specifications Unless otherwise specified $V_{DD} = 4.75V$ to $5.5V$ for the ISL705ARH/BRH/CRH, $V_{DD} = 3.15V$ to $3.6V$ for the ISL706ARH/BRH/CRH $T_A = -55^\circ C$ to $+125^\circ C$. **Boldface limits apply over the ambient operating temperature range, $-55^\circ C$ to $+125^\circ C$.** (Continued)

SYMBOL	PARAMETER	CONDITIONS	MIN (Note 4)	TYP (Note 5)	MAX (Note 4)	UNITS
WATCHDOG SECTION						
t_{WD}	Watchdog Time-Out Period		1.00	1.60	2.25	s
t_{WP}	Watchdog Input (WDI) Pulse Width	ISL705ARH/BRH/CRH, $V_{IL} = 0.4V$, $V_{IH} = 0.8 \times V_{DD}$	50			ns
		ISL706ARH/BRH/CRH, $V_{IL} = 0.4V$, $V_{IH} = 0.8 \times V_{DD}$	100			ns
V_{IL}	Watchdog Input (WDI) Threshold Voltage	ISL705ARH/BRH/CRH			0.8	V
V_{IH}		ISL705ARH/BRH/CRH	3.5			V
V_{IL}		ISL706ARH/BRH/CRH			0.6	V
V_{IH}		ISL706ARH/BRH/CRH	$0.7 \times V_{DD}$			V
I_{WDI}	Watchdog Input (WDI) Current	ISL705ARH/BRH/CRH, $WDI = V_{DD}$			100	μA
		ISL705ARH/BRH/CRH, $WDI = 0V$	-100			μA
		ISL706ARH/BRH/CRH, $WDI = V_{DD}$			5	μA
		ISL706ARH/BRH/CRH, $WDI = 0V$	-5			μA
V_{WDO}	Watchdog Output (\overline{WDO}) Voltage	ISL705ARH/BRH/CRH, $I_{SOURCE} = 800\mu A$	$V_{DD} - 1.5$			V
		ISL705ARH/BRH/CRH, $I_{SINK} = 1.2mA$			0.4	V
		ISL706ARH/BRH/CRH, $I_{SOURCE} = 500\mu A$	$0.8 \times V_{DD}$			V
		ISL706ARH/BRH/CRH, $I_{SINK} = 500\mu A$			0.3	V
MANUAL RESET SECTION						
I_{MR}	Manual Reset (\overline{MR}) Pull-up Current	ISL705ARH/BRH/CRH, $\overline{MR} = 0V$	-500		-100	μA
		ISL706ARH/BRH/CRH, $\overline{MR} = 0V$	-250		-25	μA
t_{MR}	Manual Reset (\overline{MR}) Pulse Width	ISL705ARH/BRH/CRH	150			ns
		ISL706ARH/BRH/CRH	150			ns
V_{IL}	Manual Reset (\overline{MR}) Input Threshold Voltage	ISL705ARH/BRH/CRH			0.8	V
V_{IH}			2.0			V
V_{IL}		ISL706ARH/BRH/CRH			0.6	V
V_{IH}			$0.7 \times V_{DD}$			V
t_{MD}	Manual Reset (\overline{MR}) to Reset Out Delay	ISL705ARH/BRH/CRH			100	ns
		ISL706ARH/BRH/CRH			100	ns
THRESHOLD DETECTOR SECTION						
V_{PFI}	Power Fail Input (PFI) Input Threshold Voltage	ISL705ARH/BRH/CRH	1.20	1.25	1.30	V
		ISL706ARH/BRH/CRH	0.576	0.6	0.624	V
I_{PFI}	Power Fail Input (PFI) Input Current		-10		10	nA
V_{PFO}	Power Fail Output (PFO) Output Voltage	ISL705ARH/BRH/CRH, $I_{SOURCE} = 800\mu A$	$V_{DD} - 1.5$			V
		ISL705ARH/BRH/CRH, $I_{SINK} = 3.2mA$			0.4	V
		ISL706ARH/BRH/CRH, $I_{SOURCE} = 500\mu A$	$0.8 \times V_{DD}$			V
		ISL706ARH/BRH/CRH, $I_{SINK} = 1.2mA$			0.3	V
t_{RPFI}	PFI Rising Threshold Crossing to PFO Delay	ISL705ARH/BRH/CRH		7	15	μs
		ISL706ARH/BRH/CRH		11	20	μs

ISL705ARH, ISL705BRH, ISL705CRH, ISL706ARH, ISL706BRH, ISL706CRH

Electrical Specifications Unless otherwise specified $V_{DD} = 4.75V$ to $5.5V$ for the ISL705ARH/BRH/CRH, $V_{DD} = 3.15V$ to $3.6V$ for the ISL706ARH/BRH/CRH $T_A = -55^\circ C$ to $+125^\circ C$. **Boldface limits apply over the ambient operating temperature range, $-55^\circ C$ to $+125^\circ C$.** (Continued)

SYMBOL	PARAMETER	CONDITIONS	MIN (Note 4)	TYP (Note 5)	MAX (Note 4)	UNITS
t_{PFI}	PFI Falling Threshold Crossing to PFO Delay	ISL705ARH/BRH/CRH		20	35	μs
		ISL706ARH/BRH/CRH		25	40	μs

NOTES:

- Compliance to datasheet limits is assured by one or more methods: production test, characterization and/or design.
- Typical values shown reflect $T_A = T_J = +25^\circ C$ operation and are not guaranteed.
- Reset is the only parameter operable within 1.2V and the minimum recommended operating supply voltage.

Typical Performance Curves

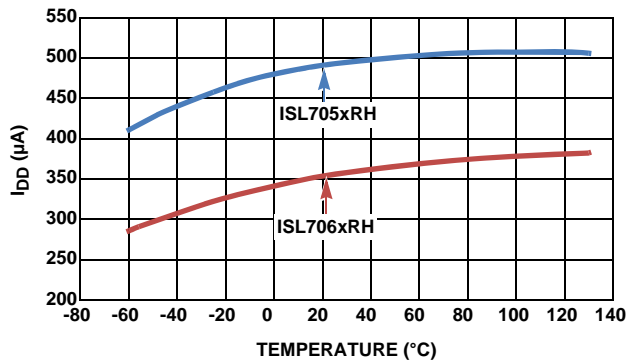


FIGURE 5. I_{DD} vs TEMPERATURE

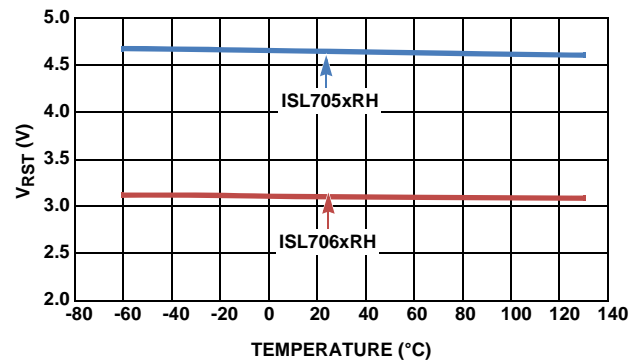


FIGURE 6. V_{RST} vs TEMPERATURE

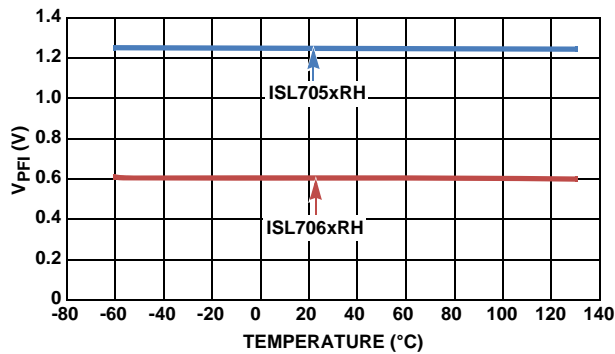


FIGURE 7. V_{PFI} vs TEMPERATURE

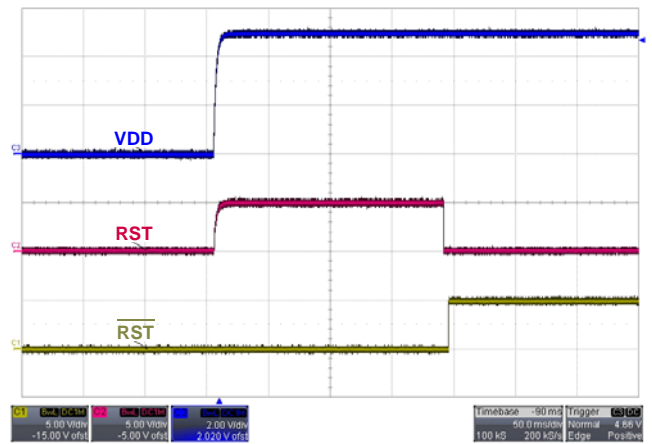


FIGURE 8. ISL705xRH RESET and RESET ASSERTION

Typical Performance Curves (Continued)

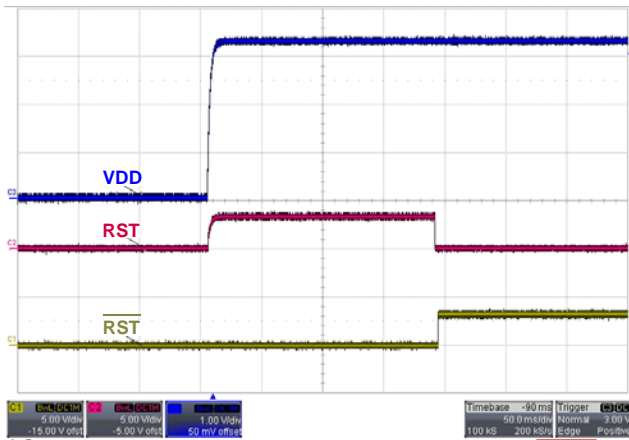


FIGURE 9. ISL706xRH RESET AND RESET ASSERTION

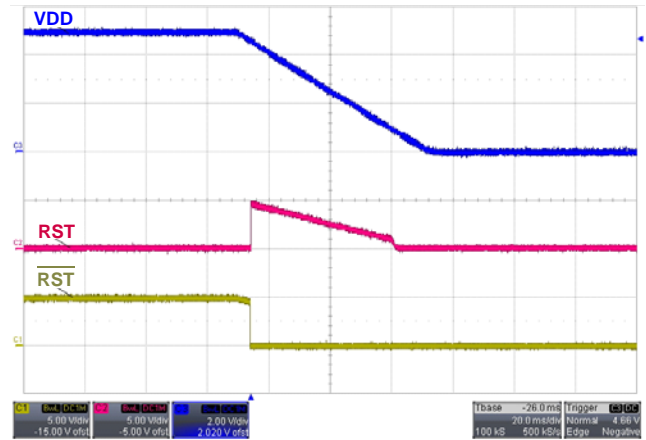


FIGURE 10. ISL705xRH RESET AND RESET DEASSERTION

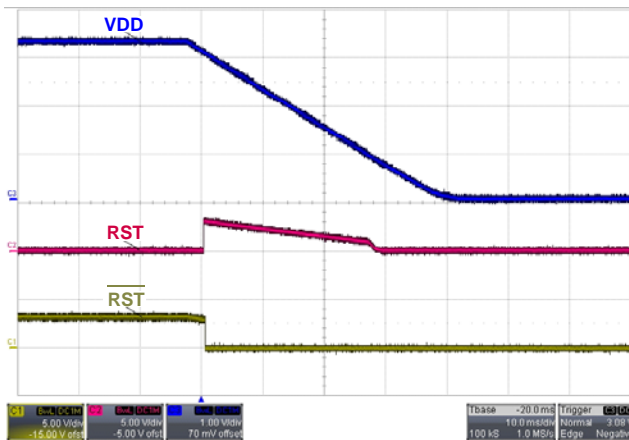


FIGURE 11. ISL706xRH RESET AND RESET DEASSERTION

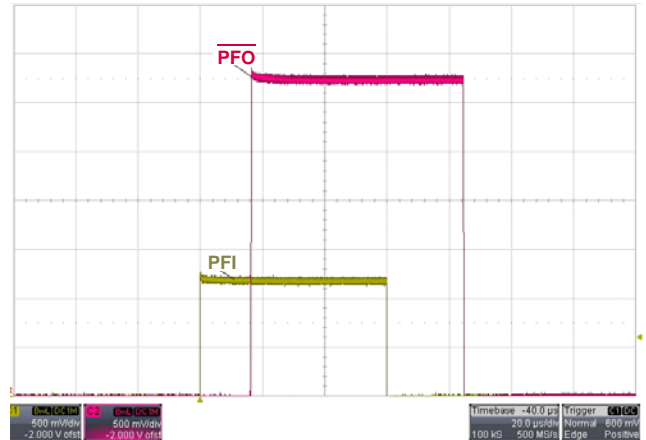


FIGURE 12. ISL705xRH PFI TO PFO RESPONSE

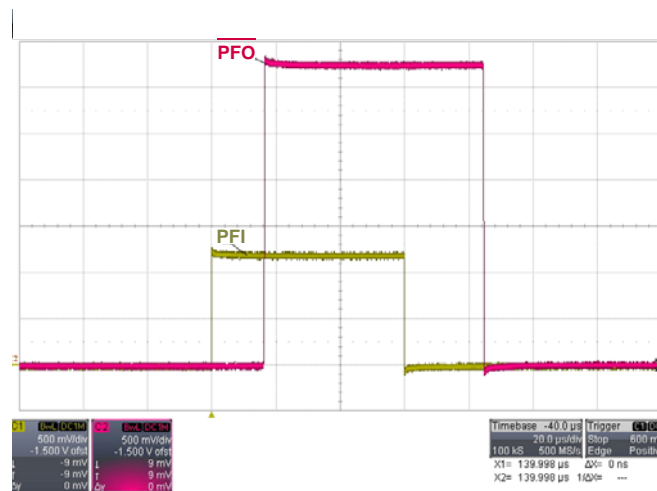


FIGURE 13. ISL706xRH PFI TO PFO RESPONSE

ISL705ARH, ISL705BRH, ISL705CRH, ISL706ARH, ISL706BRH, ISL706CRH

Post Radiation Characteristics Unless otherwise specified, $V_{DD} = 4.75V$ to $5.5V$ for the ISL705ARH/BRH/CRH, $V_{DD} = 3.15V$ to $3.6V$ for the ISL706ARH/BRH/CRH $T_A = +25^\circ C$. This data is parameter deltas post radiation exposure at a rate of 50 to 300rad(SI)/s. This data is intended to show typical parameter shifts due to high dose radiation. These are not limits nor are they guaranteed.

SYMBOL	PARAMETER	CONDITIONS	0 - 25kRad	0 - 50kRad	0 - 75kRad	0 - 100kRad	UNITS
POWER SUPPLY SECTION							
I _{DD}	Operating Supply Current	ISL705ARH/BRH/CRH	-2	-2.44	-3.86	-4.88	μA
		ISL706ARH/BRH/CRH	-4.79	-7.47	-6.93	-8.88	μA
RESET SECTION							
V _{RST}	Reset Threshold Voltage	ISL705ARH/BRH/CRH	-8.1	-13.1	-17.5	-18.1	mV
		ISL706ARH/BRH/CRH	-1	-3.25	-5.38	-7.25	mV
V _{HYS}	Reset Threshold Voltage Hysteresis	ISL705ARH/BRH/CRH	-3.75	-1.9	-5	-3.12	mV
		ISL706ARH/BRH/CRH	0.375	0.25	0.625	0.625	mV
t _{RST}	Reset Pulse Width		-2.13	-2.18	-2.39	-2.35	ms
WATCHDOG SECTION							
t _{WD}	Watchdog Time-Out Period		-56	-72	-81	-80	ms
MANUAL RESET SECTION							
t _{MD}	Manual Reset (\overline{MR}) to Reset Out Delay	ISL705ARH/BRH/CRH	0.028	0.146	0.274	0.368	ns
		ISL706ARH/BRH/CRH	0.305	0.605	0.793	0.956	ns
THRESHOLD DETECTOR SECTION							
V _{PFI}	Power Fail Input (PFI) Input Threshold Voltage	ISL705ARH/BRH/CRH	0.94	0.31	0	-0.62	mV
		ISL706ARH/BRH/CRH	-1.56	-2.5	-2.5	-2.5	mV
t _{RPFI}	PFI Rising Threshold Crossing to PFO Delay	ISL705ARH/BRH/CRH	-0.026	-0.047	-0.085	-0.068	μs
		ISL706ARH/BRH/CRH	0.028	-0.058	0.11	-0.11	μs
t _{FPFI}	PFI Falling Threshold Crossing to PFO Delay	ISL705ARH/BRH/CRH	-0.397	-0.77	-1.17	-2.88	μs
		ISL706ARH/BRH/CRH	-0.35	-0.782	-1.516	-2.087	μs

Functional Overview

The ISL705xRH and ISL706xRH provide the functions needed for monitoring critical voltages in high reliability applications such as microprocessor systems. Functions of these supervisors include power-on reset control; supply voltage supervisions; power-fail detection; manual-reset assertion and a watch dog timer. The integration of all these functions along with their high threshold accuracy, low power consumption, and radiation tolerance make these devices ideal for critical supply monitoring.

Reset Output

Reset control has long been a critical aspect of embedded control design. Microprocessors require a reset signal during power up to ensure that the system environment is stable before initialization.

The reset signal provides several benefits:

- It prevents the system microprocessor from starting to operate with insufficient voltage.
- It prevents the processor from operating prior to stabilization of the oscillator.
- It ensures that the monitored device is held out of operation until internal registers are initialized.
- It allows time for an FPGA to perform its self configuration prior to initialization of the circuit.

On power-up, once V_{DD} reaches 1.2V, \overline{RST} is guaranteed logic low. As V_{DD} rises, \overline{RST} stays low. When V_{DD} rises above the reset threshold (V_{RST}), an internal timer releases \overline{RST} after 200ms (typ). \overline{RST} pulses low whenever V_{DD} degrades to below V_{RST} (see Figure 3). If a brownout condition occurs in the middle of a previously initiated reset pulse, the pulse is lengthened 200ms (typ).

On power-down, once V_{DD} falls below the reset threshold, \overline{RST} stays low and is guaranteed to be low until V_{DD} drops below 1.2V.

The ISL705BRH and ISL706BRH active-high RST output is simply the complement of the \overline{RST} output, and is guaranteed to be valid with V_{DD} down to 1.2V. The ISL705CRH and ISL706CRH active-low open-drain reset output is functionally identical to \overline{RST} .

Power Failure Monitor

Besides monitoring V_{DD} for reset control, these devices have a Power-Failure Monitor feature that supervises an additional critical voltage on the Power-Fail Input (PFI) pin. For example, the PFI pin could be used to provide an early power-fail warning, overvoltage detection or monitor a power supply other than V_{DD} . \overline{PFO} goes low whenever PFI is less than V_{PFI} .

The threshold detector can be adjusted using an external resistor divider network to provide custom voltage monitoring for voltages greater than V_{PFI} , according to Equation 1 (see Figure 14).

$$V_{IN} = V_{PFI} \left(\frac{R_1 + R_2}{R_2} \right) \quad (\text{EQ. 1})$$

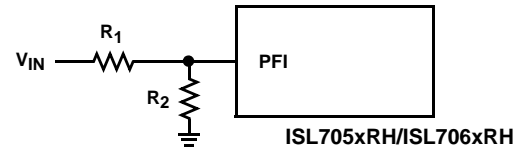


FIGURE 14. CUSTOM V_{TH} WITH RESISTOR DIVIDER ON PFI

Manual Reset

The manual reset input (\overline{MR}) allows designers to add manual system reset capability via a push button switch (see Figure 15). The \overline{MR} input is an active low debounced input which asserts reset if the \overline{MR} pin is pulled low to less than V_{IL} for at least 150ns. After \overline{MR} is released, the reset output remains asserted for t_{RST} and then released. \overline{MR} is a TTL/CMOS logic compatible, so it can be driven by external logic. By connecting \overline{WDO} to \overline{MR} , one can force a watchdog time out to generate a reset pulse.

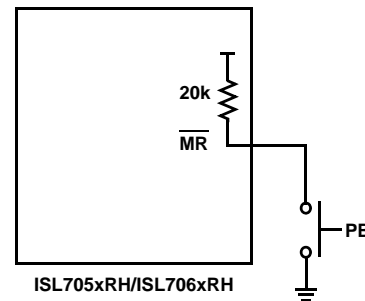


FIGURE 15. CONNECTING A MANUAL RESET PUSH-BUTTON

Watch Dog Timer

The watchdog time circuit checks for coherent program execution by monitoring the WDI pin. If the processor does not toggle the watchdog input within t_{WD} (1.0s min), \overline{WDO} will go low. As long as reset is asserted or the WDI pin is tri-stated, the watchdog timer will stay cleared and not count. As soon as reset is released and WDI is driven high or low, the timer will start counting. Pulses as short as 50ns can be detected on the ISL705xRH, on ISL706xRH pulses as short as 100ns can be detected.

Whenever there is a low-voltage V_{DD} condition, \overline{WDO} goes low. Unlike the reset outputs, however, \overline{WDO} goes high as soon as V_{DD} rises above its voltage trip point (see Figure 4). With WDI open or connected to a tri-stated high impedance input, the Watchdog Timer is disabled and only pulls low when $V_{DD} < V_{RST}$.

Applications Information

Negative Voltage Sensing

This family of devices can be used to sense and monitor the presence of both a positive and negative rail. V_{DD} is used to monitor the positive supply while PFI monitors the negative rail. \overline{PFO} is high when the negative rail degrades below a V_{TRIP} value and remains low when the negative rail is above the V_{trip} value. As the differential voltage across the R_1 , R_2 divider is increased, the resistor values must be chosen such that the PFI node is $< 1.25V$ when the -V supply is satisfactory and the positive supply

is at its maximum specified value. This allows the positive supply to fluctuate within its acceptable range without signaling a reset when configured as shown in Figure 16.

$$R2 = \frac{R1(V_{PFI} - V_{TRIP})}{V_{DD} - V_{PFI}} \quad (\text{EQ. 2})$$

In Figure 16, the ISL705ARH is monitoring +5V through V_{DD} and -5V through PFI. In this example, the trip point (V_{TRIP}) for the negative supply rail is set for -4.5V. Equation 2 can be used to select the appropriate resistor values. $R1$ is selected arbitrarily as 100k Ω , $V_{DD} = 5V$, $V_{PFI} = 1.25V$, and $V_{TRIP} = (-4.5V)$. By plugging the values into Equation 2 as shown in Equation 3 it can be seen a resistor of 153.3k Ω is needed. The closest 1% resistor value is 154k Ω .

$$R2 = \frac{100k(1.25 - (-4.5))}{5 - 1.25} = 153.3k\Omega \quad (\text{EQ. 3})$$

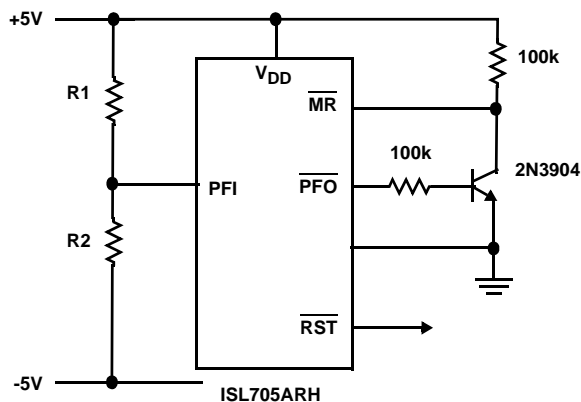


FIGURE 16. ±5V MONITORING

Figure 4 also has a general purpose NPN transistor in which the base is connected to the \overline{PFO} pin through a 100k Ω resistor. The emitter is tied to ground and the collector is tied to \overline{MR} signal. This configuration allows the negative voltage sense circuit to initiate a reset if it is not within its regulation window. A pull-up on the \overline{MR} ensures no false reset triggering when the negative voltage is within its regulation window.

Assuring a Valid \overline{RST} Output

When V_{DD} falls below 1.2V, the \overline{RST} output can no longer sink current and is essentially an open circuit. As a result, this pin can drift to undetermined voltages if left undriven. By adding a pull-down resistor to the \overline{RST} pin as shown in Figure 17, any stray charge or leakage currents will be drained to ground and keep \overline{RST} low when V_{DD} falls below 1.2V. The resistor value ($R1$) is not critical however, it should be large enough not to load \overline{RST} and small enough to pull \overline{RST} to ground. A 100k Ω resistor would suffice, assuming there is no load on the \overline{RST} pin during that time.

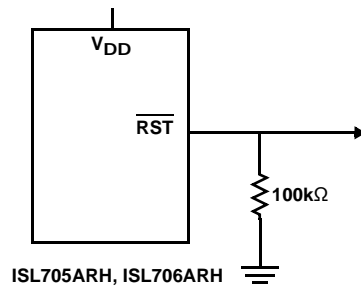
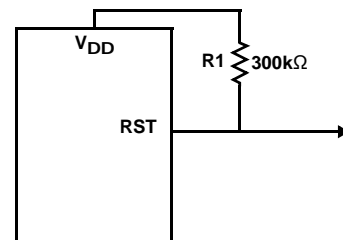


FIGURE 17. \overline{RST} VALID TO GROUND CIRCUIT

Assuring a Valid \overline{RST} Output

On the ISL705BRH and ISL706BRH, when V_{DD} falls below 1.2V, the \overline{RST} output can no longer source enough current to track V_{DD} . As a result, this pin can drift to undetermined voltages if left undriven. By adding a pull-up resistor to the \overline{RST} pin as shown in Figure 18, \overline{RST} will track V_{DD} below 1.2V. The resistor value ($R1$) is not critical however, it should be large enough not to exceed the sink capability of \overline{RST} pin at 1.2V. A 300k Ω resistor would suffice, assuming there is no load on the \overline{RST} pin during that time.

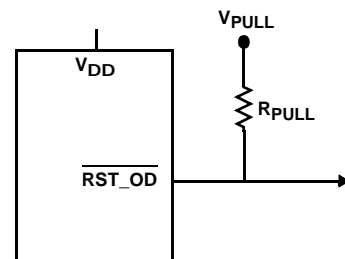


ISL705BRH, ISL706BRH

FIGURE 18. \overline{RST} VALID TO GROUND CIRCUIT

Selecting Pull-Up Resistor Values

The ISL705CRH and ISL706CRH have open drain active low reset outputs ($\overline{RST_OD}$). A pull-up resistor is needed to ensure $\overline{RST_OD}$ is high when V_{DD} is in a valid state (Figure 19). The resistor value must be chosen in order not to exceed the sink capability of the $\overline{RST_OD}$ pin. The ISL705ARH has a sink capability of 3.2mA and the ISL706CRH has a sink capability of 1.2mA. Equation 4 may be used to select resistor R_{PULL} based on the pull-up voltage V_{PULL} . It is also important that the pull-up voltage does not exceed V_{DD} .



ISL706CRH, ISL705CRH

FIGURE 19. $\overline{RST_OD}$ PULL-UP CONNECTION

$$R_{PULL} = \frac{V_{PULL}}{I_{SINK}} \quad (EQ. 4)$$

Adding Hysteresis to the PFI Comparator

The PFI comparator has no built in hysteresis, however the designer may add hysteresis by connecting a resistor from the \overline{PFO} pin to the PFI pin, essentially adding positive feedback to the comparator (see Figure 20).

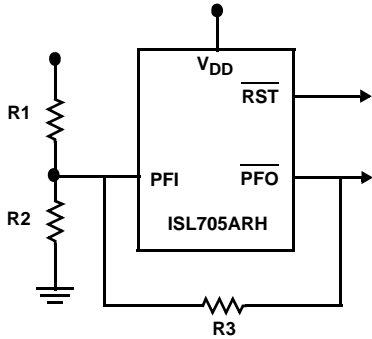


FIGURE 20. POSITIVE FEEDBACK FOR HYSTERISIS

The following procedure allows the system designer to calculate the components based on the requirements and on given data, such as supply rail voltages, hysteresis band voltage (V_{HB}), and reference voltage (V_{PFI}).

The comparator only has two states of operation. When it is low, the current through R3 is $I_{R3} = V_{PFI}/R3$. When the output is high, $I_{R3} = (V_{DD} - V_{PFI})/R3$. The feedback current needs to be very small so it does not induce oscillations; 200nA is a good starting point. Now two values of R3 can be calculated with $V_{DD} = 5V$ and $V_{PFI} = 1.25V$; $R3 = 6.25M\Omega$ or $11.25M\Omega$, select the lowest value of the two.

With R3 selected as $6.2M\Omega$ (closest standard 1% resistor), R1 can be calculated as:

$$R1 = R3 \left(\frac{V_{HB}}{V_{DD}} \right) = 124k\Omega \quad (EQ. 5)$$

with V_{HB} selected at 100mV. The closest standard value for R1 is 124k Ω . Then next step is select the rising trip voltage (VTR) such that:

$$VTR > V_{PFI} \left(1 + \frac{V_{HB}}{V_{DD}} \right) \quad (EQ. 6)$$

The rising threshold voltage is selected at 3.0V and R2 is calculated by Equation 7.

$$R2 = 1 / \left[\left(\frac{VTR}{(V_{PFI} \times R1)} \right) - \left(\frac{1}{R1} \right) - \left(\frac{1}{R3} \right) \right] \quad (EQ. 7)$$

Plugging in all the variables R2 in this example is 90.9k Ω again this is choosing the closest 1% resistor. The final step is verify the trip voltages.

$$VTR = (V_{PFI}) \times R1 \left[\left(\frac{1}{R1} \right) + \left(\frac{1}{R2} \right) + \left(\frac{1}{R3} \right) \right] \quad (EQ. 8)$$

$$VTF = VTR - \left(\frac{R1 \times V_{DD}}{R3} \right) \quad (EQ. 9)$$

The rising voltage, VTR is calculated as 2.98V and the falling voltage VTF is calculated as 2.88V so 100mV hysteresis is achieved.

An additional item to consider is that the output voltage is equal to V_{DD} , however according to the “Electrical Specifications” on page 6, the output of the PFI comparator is guaranteed to be at least ($V_{DD}-1.5$) volts. When you take this worst case into account, the hysteresis can be as low at 70mV.

Special Application Considerations

Using good decoupling practices will prevent transients (i.e., due to switching noises and short duration droops in the supply voltage) from causing unwanted resets and reduce the power-fail circuit’s sensitivity to high-frequency noise on the line being monitored.

When the WDI input is left unconnected, it is recommended to place a 10 μ F capacitor to ground to reduce single event transients from arising in the \overline{WDO} pin.

As described in the “Electrical Specifications” Table on page 7, there is a delay on the \overline{PFO} pin whenever PFI crosses the threshold. This delay is due to internal filters on the PFI comparator circuitry which were added to mitigate single event transients. If the PFI input transitions below or above the threshold and the duration of the transition is less than the delay, the PFO pin will not change states.

Weight Characteristics

Weight of Packaged Device

0.31 Grams typical

Die Characteristics

Die Dimensions

2030µm x 2030µm (79.9 mils x 79.9 mils)
 Thickness: 483µm ± 25.4µm (19.0 mils ± 1 mil)

Interface Materials

GLASSIVATION

Type: Silicon Oxide and Silicon Nitride
 Thickness: 0.3µm ± 0.03µm to 1.2µm ± 0.12µm

TOP METALLIZATION

Type: AlCu (99.5%/0.5%)
 Thickness: 2.7µm ± 0.4µm

TOP METALLIZATION

Type: Silicon

BACKSIDE FINISH

Silicon

PROCESS

0.6µm BiCMOS Junction Isolated

ASSEMBLY RELATED INFORMATION

Substrate Potential

Unbiased

ADDITIONAL INFORMATION

Worst Case Current Density

$< 2 \times 10^5 \text{ A/cm}^2$

Transistor Count

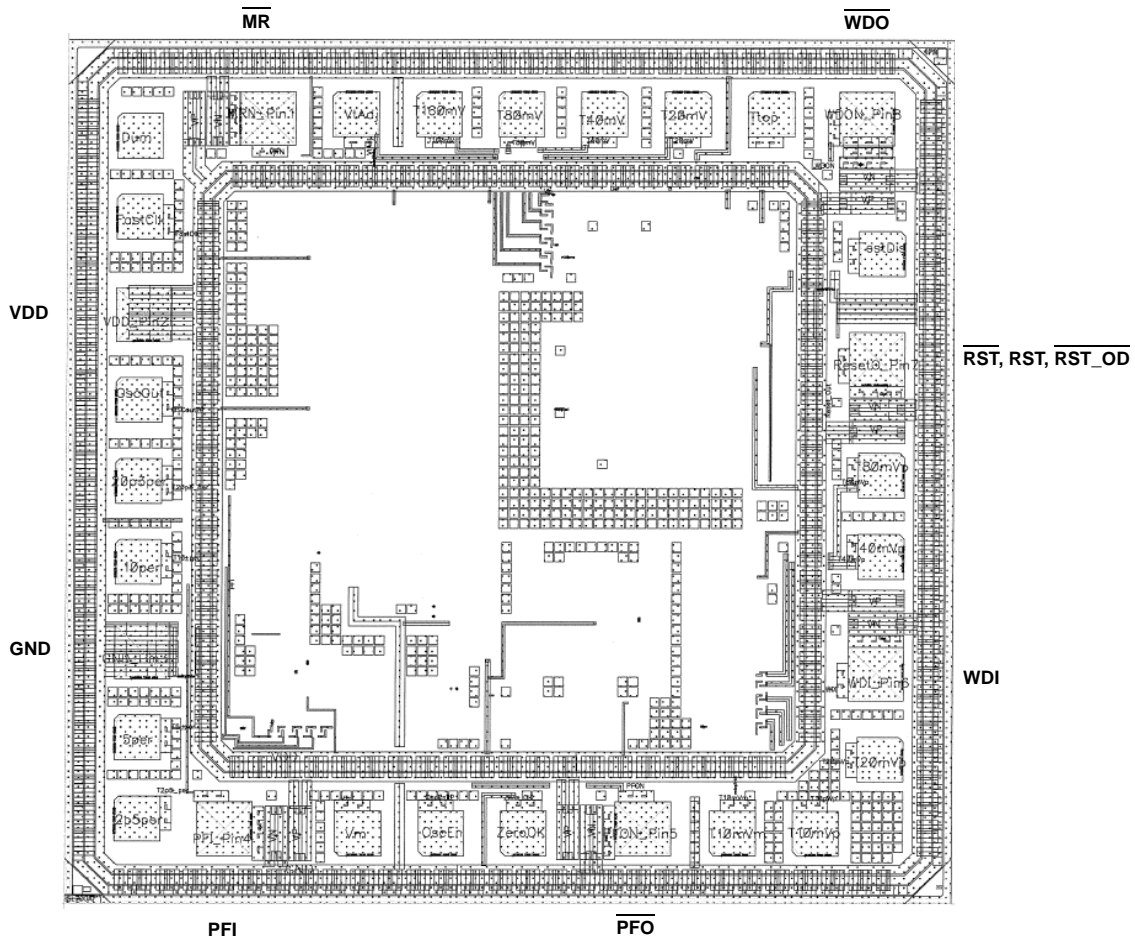
1400

Layout Characteristics

Step and Repeat

2030µm x 2030µm

Metallization Mask Layout



Revision History

The revision history provided is for informational purposes only and is believed to be accurate, but not warranted. Please go to web to make sure you have the latest Rev.

DATE	REVISION	CHANGE
11/1/11	FN7662.1	Page 13: Updated the transistor count to 1400 from 25000. Pages 7, 9: Removed erroneous overline bars in Figures 8-11.
9/15/11	FN7662.0	Initial release

Products

Intersil Corporation is a leader in the design and manufacture of high-performance analog semiconductors. The Company's products address some of the industry's fastest growing markets, such as, flat panel displays, cell phones, handheld products, and notebooks. Intersil's product families address power management and analog signal processing functions. Go to www.intersil.com/products for a complete list of Intersil product families.

To report errors or suggestions for this datasheet, please go to www.intersil.com/askourstaff

For additional products, see www.intersil.com/product_tree

Intersil products are manufactured, assembled and tested utilizing ISO9000 quality systems as noted in the quality certifications found at www.intersil.com/design/quality

Intersil products are sold by description only. Intersil Corporation reserves the right to make changes in circuit design, software and/or specifications at any time without notice. Accordingly, the reader is cautioned to verify that data sheets are current before placing orders. Information furnished by Intersil is believed to be accurate and reliable. However, no responsibility is assumed by Intersil or its subsidiaries for its use; nor for any infringements of patents or other rights of third parties which may result from its use. No license is granted by implication or otherwise under any patent or patent rights of Intersil or its subsidiaries.

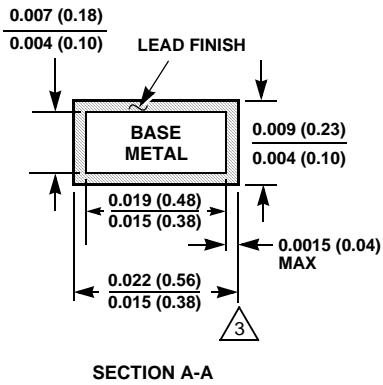
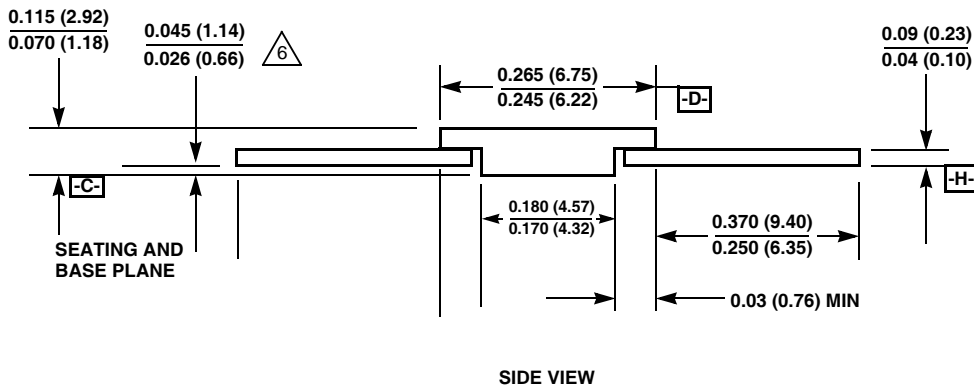
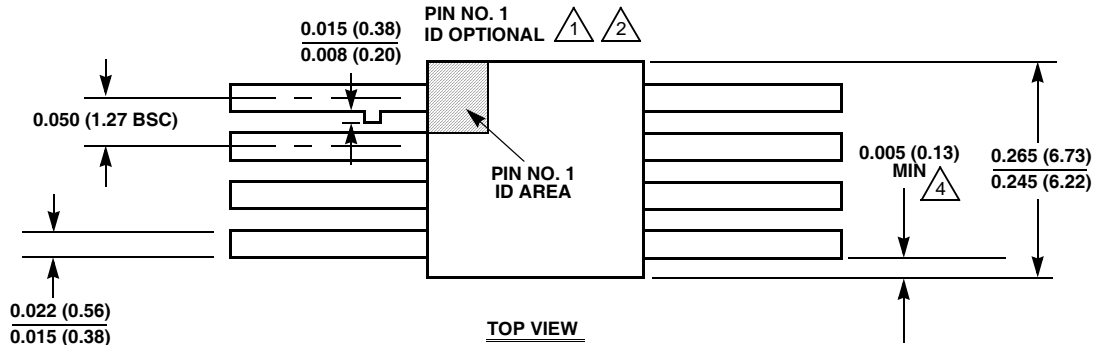
For information regarding Intersil Corporation and its products, see www.intersil.com

Package Outline Drawing

K8.A

8 LEAD CERAMIC METAL SEAL FLATPACK PACKAGE

Rev 2, 12/10



NOTES:

1. Index area: A notch or a pin one identification mark shall be located adjacent to pin one and shall be located within the shaded area shown. The manufacturer's identification shall not be used as a pin one identification mark. Alternately, a tab may be used to identify pin one.
2. If a pin one identification mark is used in addition to a tab, the limits of the tab dimension do not apply.
3. The maximum limits of lead dimensions (section A-A) shall be measured at the centroid of the finished lead surfaces, when solder dip or tin plate lead finish is applied.
4. Measure dimension at all four corners.
5. For bottom-brazed lead packages, no organic or polymeric materials shall be molded to the bottom of the package to cover the leads.
6. Dimension shall be measured at the point of exit (beyond the meniscus) of the lead from the body. Dimension minimum shall be reduced by 0.0015 inch (0.038mm) maximum when solder dip lead finish is applied.
7. Dimensioning and tolerancing per ANSI Y14.5M - 1982.
8. Controlling dimension: INCH.