

**Fieldbus Power Hub, Power Conditioner Module**



- Output: bulk power voltage 500 mA
- High-Power Trunk concept for maximum devices and long cable runs
- Without galvanic isolation
- Installation in Zone 2/Class I, Div. 2
- For PROFIBUS PA and FOUNDATION fieldbus H1
- Very low heat dissipation
- Hot swappable in redundant configuration
- Module exchange without tools while the system is energized

**Function**

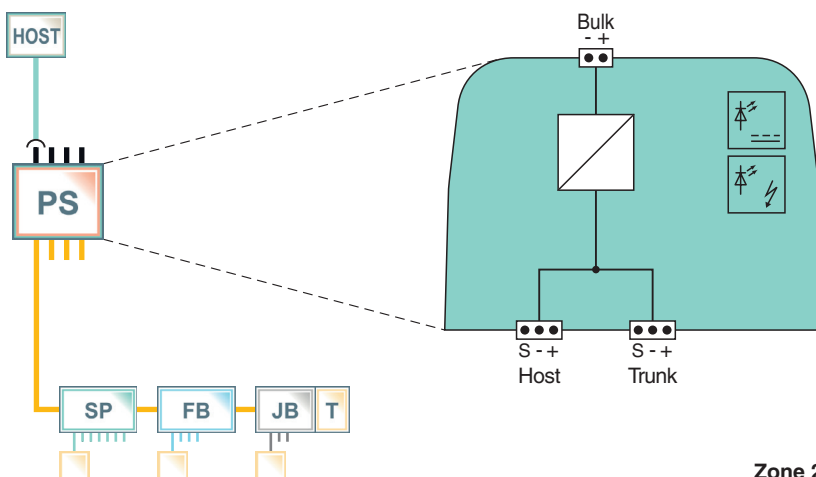
The Power Supply Module HD2-FBCL-1.500 is a system component of the FieldConnex Power Hub. It adapts the current for the supply of fieldbus field devices. Depending on the input voltage it allows to supply a multitude of devices in wide-spread fieldbus topologies. High-Power Trunk Topologies can be installed in safe areas, in Zone 2/Class I, Div. 2 in conjunction with Segment Protectors for device connections Ex nL and in Zone 1/Class I, Div. 1 with FieldBarrier for device connections Ex ia.

Furthermore a short-circuit current limitation for the host connection is integrated.

The module can be plugged onto the different Power Hub motherboards in combination with various other modules.

The complete overview of the Power Hub system you will find on the data sheet MB-FB-System. For details on individual modules please refer to the respective module data sheets.

**Connection**



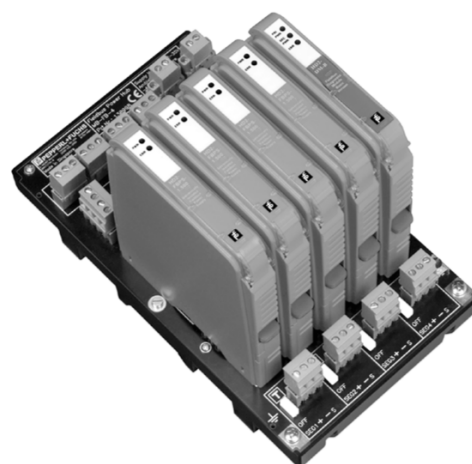
Zone 2/Div. 2

**Composition**




FOUNDATION

Fieldbus Power Hub, Power Conditioner Module



Fieldbus Power Hub, Motherboard fully equipped with Diagnostics Module and Power Conditioner Modules

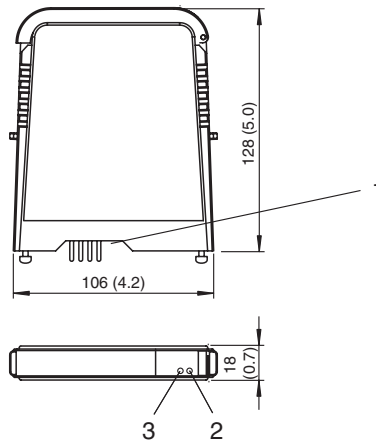
Release date 2010-11-30 13:38 Date of issue 2010-11-30 130999\_ENG.xml

<b>Supply</b>	
Rated voltage	19.2 ... 32 V DC
Power loss	max. 0.8 W
<b>Fieldbus interface</b>	
Rated voltage	supply voltage minus $\leq 2.5$ V at full load
Rated current	0 ... 500 mA
Short-circuit current	600 mA
Host-rated current	0 ... 40 mA
Host short-circuit current	0 ... 55 mA
Terminating impedance	motherboard specific
<b>Indicators/operating means</b>	
LED ERR	red flashing: short-circuit or undervoltage at output
LED PWR	green if $U_{out} > 16$ V
<b>Directive conformity</b>	
Electromagnetic compatibility	
Directive 2004/108/EC	EN 61326-1:2006
<b>Standard conformity</b>	
Electromagnetic compatibility	NE 21:2006
Protection degree	IEC 60529
Fieldbus standard	IEC 61158-2
Shock resistance	EN 60068-2-27
Vibration resistance	EN 60068-2-6
<b>Ambient conditions</b>	
Ambient temperature	-40 ... 60 °C (-40 ... 140 °F)
Storage temperature	-40 ... 85 °C (-40 ... 185 °F)
Relative humidity	< 95 % non-condensing
Shock resistance	15 g 11 ms
Vibration resistance	1 g , 10 ... 150 Hz
<b>Mechanical specifications</b>	
Connection type	motherboard specific
Core cross-section	motherboard specific
Housing material	Polycarbonate
Housing width	18 mm
Housing height	106 mm
Housing depth	128 mm
Protection degree	IP20
Mass	approx. 70 g
Mounting	motherboard mounting
Coating	conformal coated
<b>Data for application in connection with Ex-areas</b>	
Statement of conformity	TÜV 04 ATEX 2500 X
Group, category, type of protection, temperature classification	 II 3G EEx nA II T4
Directive conformity	
Directive 94/9/EC	EN 60079-15:2003
<b>International approvals</b>	
FM approval	CoC 3024816, CoC 3024816C
Approved for	Class I, Division 2, Groups A, B, C, D, T4 / Class I, Zone 2, AEx/Ex nA IIC T4

**Supplementary information**

Statement of Conformity, Declaration of Conformity and instructions have to be observed. For information see [www.pepperl-fuchs.com](http://www.pepperl-fuchs.com).

Dimensions



Description:

- 1 Plug connections to motherboard
- 2 LED PWR (Power)
- 3 LED ERR (Error)

All dimensions in millimeters and inches (values in brackets) and without tolerance indication.  
 For dimensions of the mounted system, please refer to the corresponding motherboard data sheet.

Installation note

see manual

Accessories

see motherboard or system data sheet