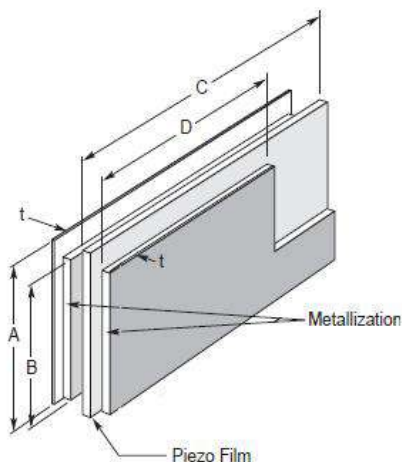


DT Sensors



- Piezoelectric film sensor without lead attachments
- Silver ink electrode
- Available in different sizes and thicknesses
- Great for making your own sensor

DESCRIPTION

The DT series of piezo film sensors elements are rectangular elements of piezo film with silver ink screen printed electrodes. They are available in a variety of different sizes and thicknesses.

The DT film element produces more than 10 millivolts per microstrain, about 60 dB higher than the voltage output of a foil strain gauge. The capacitance is proportional to the area and inversely proportional to the thickness of the element.

The DT series sensors are the simplest form of piezo film sensors, used primarily as dynamic strain gages and contact microphones for vibration or impact detection. These are available without any leads for those applications where the customer wants to make his own lead attachment. They can be readily adhered to a surface with double-sided tape or epoxy. Lead attachment can be achieved by compressive clamping, crimps, eyelets, conductive epoxy or low temperature solders.

FEATURES

- Thin Piezo polymer w/ high piezo activity
- Flexible silver ink metallization
- Min. impedance- 1MΩ, recommended 10MΩ
- Output voltage- mV to 100's of volts
- Operating temp: -40 to 60°C

APPLICATIONS

- Sensing contact forces
- Recording the time of an event
- Counting the number of impacts
- Make your own sensor element

Description	Dimensions in inches [mm]				T(μm)	Cap(nF)	Part Number
	A Film	B Electrode	C Film	D Electrode			
DT1-028K	0.64 (16)	0.484 (12)	1.63 (41)	1.19 (30)	40	1.38	1-1002608-0
DT1-052K	0.64 (16)	0.484 (12)	1.63 (41)	1.19 (30)	64	0.74	2-1002608-0
DT2-028K	0.64 (16)	0.484 (12)	2.86 (12)	2.42 (62)	40	2.78	1-1002145-0
DT2-052K	0.64 (16)	0.484 (12)	2.86 (12)	2.42 (62)	64	1.44	2-1002145-0
DT4-028K	0.86 (22)	0.740 (19)	6.72 (171)	6.13 (156)	40	11	1-1002149-0
DT4-052K	0.86 (22)	0.740 (19)	6.72 (171)	6.13 (156)	64	5.7	2-1002149-0

DT Sensors

ORDERING INFO



NORTH AMERICA

Measurement Specialties
45738 Northport Loop West
Fremont, CA 94538
Tel: 1-800-767-1888
Fax: 1-510-498-1578
Sales: pfg.cs.amer@meas-spec.com

EUROPE

Measurement Specialties
(Europe), Ltd.
26 Rue des Dames
78340 Les Clayes-sous-Bois, France
Tel: +33 (0) 130 79 33 00
Fax: +33 (0) 134 81 03 59
Sales: pfg.cs.emea@meas-spec.com

ASIA

Measurement Specialties
(China), Ltd.
No. 26 Langshan Road
Shenzhen High-Tech Park (North)
Nanshan District, Shenzhen, Guangdong
Province, China 518107
China
Tel: +86 755 3330 5068
Fax: +86 755 3330 5099
Sales: pfg.cs.asia@meas-spec.com

The information in this sheet has been carefully reviewed and is believed to be accurate; however, no responsibility is assumed for inaccuracies. Furthermore, this information does not convey to the purchaser of such devices any license under the patent rights to the manufacturer. Measurement Specialties, Inc. reserves the right to make changes without further notice to any product herein. Measurement Specialties, Inc. makes no warranty, representation or guarantee regarding the suitability of its product for any particular purpose, nor does Measurement Specialties, Inc. assume any liability arising out of the application or use of any product or circuit and specifically disclaims any and all liability, including without limitation consequential or incidental damages. Typical parameters can and do vary in different applications. All operating parameters must be validated for each customer application by customer's technical experts. Measurement Specialties, Inc. does not convey any license under its patent rights nor the rights of others.