

25 AMP SILICON BRIDGE RECTIFIERS

FEATURES

- VOID FREE VACUUM DIE SOLDERING FOR MAXIMUM MECHANICAL STRENGTH AND HEAT DISSIPATION (Solder voids: Typical < 2%, Max. < 10% of Die Area)
- BUILT-IN STRESS RELIEF MECHANISM FOR SUPERIOR RELIABILITY AND PERFORMANCE
- SURGE OVERLOAD RATING TO 400 AMP SPEAK
- IDEAL FOR PRINTED CIRCUIT BOARD APPLICATIONS

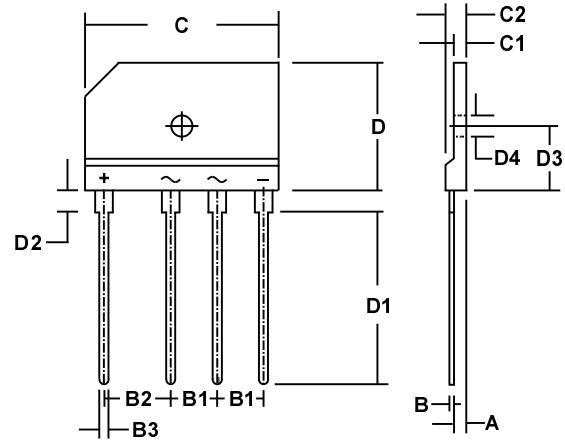
UL RECOGNIZED-FILE # E124962

RoHS COMPLIANT

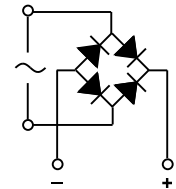
MECHANICAL DATA

- Case: Molded Epoxy (UL Flammability Rating 94V-0)
- Terminals: Silver plated pins
- Soldering: Per MIL-STD 750
- Polarity: Marked on case
- Mounting Position: Any
Mounting torque = 5 in lb max.
- Weight: 0.26 Ounces (7 Grams)

MECHANICAL SPECIFICATION



SYM	MILLIMETERS		INCHES	
	MIN	MAX	MIN	MAX
A	2.5	2.9	0.098	0.114
B	0.6	0.8	0.024	0.031
B1	7.3	7.7	0.287	0.303
B2	9.8	10.2	0.386	0.402
B3	0.9	1.1	0.035	0.043
C	29.7	30.3	1.17	1.19
C1	3.6	4.0	0.142	0.157
C2	4.4	4.8	0.173	0.189
D	19.7	20.3	0.776	0.799
D1	13.2	13.8	0.520	0.543
D2	3.8	4.2	0.126	0.165
D3	10.8	11.2	0.425	0.441
D4	3.1	3.3	0.122	0.130



SERIES DT25C00-DT25C10

MAXIMUM RATINGS & ELECTRICAL CHARACTERISTICS

Ratings at 25 °C ambient temperature unless otherwise specified.

PARAMETER (TEST CONDITIONS)	SYMBOL	RATINGS								UNITS
		DT25 C00	DT25 C01	DT25 C02	DT25 C04	DT25 C06	DT25 C08	DT25 C10		
Series Number										
Maximum DC Blocking Voltage	V _{DC}	50	100	200	400	600	800	1000		VOLTS
Maximum RMS Voltage	V _{RMS}	35	70	140	280	420	560	700		
Maximum Peak Recurrent Reverse Voltage	V _{RRM}	50	100	200	400	600	800	1000		
Average Forward Rectified Current, T _c = 55 °C	I _O	25								AMPS
Peak Forward Surge Current. Single 60Hz Half-Sine Wave Superimposed on Rated Load (JEDEC Method).	I _{FSM}	400								
Rating For Fusing (t < 8.3ms)	I ² t	660								
Maximum Forward Voltage Drop (Per Diode) @ I _F = 12.5 Amps @ I _F = 25.0 Amps	V _{FM}	< 0.95 < 1.0				< 1.0 < 1.05				VOLTS
Maximum Average DC Reverse Current @ T _A = 25 °C @ T _A = 100 °C	I _{RM}	1 50								μA
Typical Thermal Resistance, Junction to Case (Note 1)	R _{θJC}	1.2								°C/W
Minimum Insulation Breakdown Voltage (Circuit to Case)	V _{ISO}	2000								VOLTS
Operating and Storage Temperature Range	T _J , T _{STG}	-55 to +150								°C

NOTES: (1) Units Mounted on Heat Sink

8.04 599C