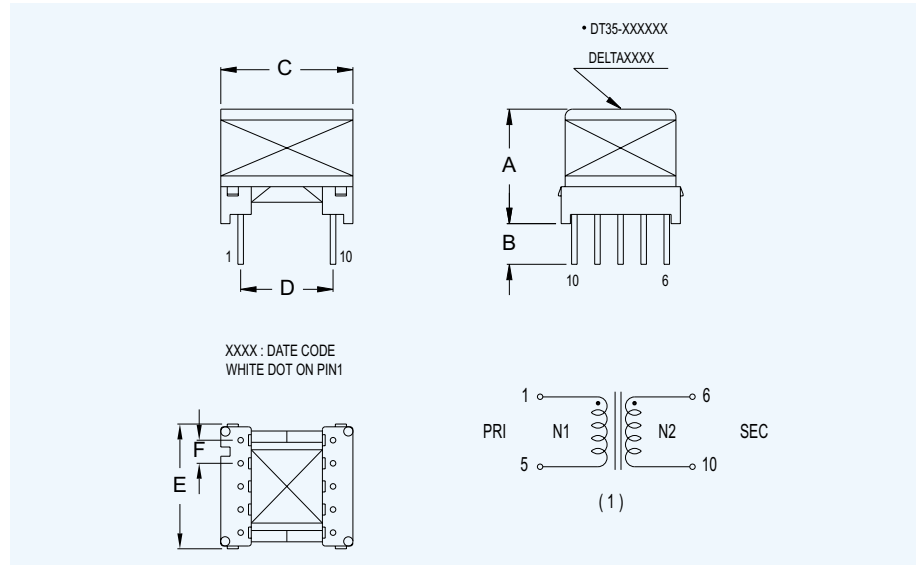




# Telecommunication COMMON MODE CHOKE Transformers

DT35-2010T  
DT35-2011T  
DT35-2012T



DIMENSIONS IN mm

A	B	C	D	E	F	G
13.0 MAX.	2.79 MIN.	14.5 MAX.	10.2 ± 0.5	13.5 MAX.	2.5 ± 0.3	

ELECTRICAL CHARACTERISTICS			
	DT35-2010T	DT35-2011T	DT35-2012T
T.R	(N1:N2): 1:1 ± 2% @10KHz 0.1V	(N1:N2): 1:1 ± 2% @10KHz 0.1V	(N1:N2): 1:1 ± 2% @10KHz 0.1V
L	N1: 1.7mH ± 5%, 0.1A N1: 1.7mH ± 5%, 0.2A N1: 1.7mH ± 5%, 0.3A @10KHz 0.1V	N1: 2.7mH ± 5%, 0.1A N1: 2.7mH ± 5%, 0.2A N1: 2.7mH ± 5%, 0.3A @10KHz 0.1V	N1: 1.4mH ± 5%, 0.1A N1: 1.4mH ± 5%, 0.2A N1: 1.4mH ± 5%, 0.3A @10KHz 0.1V
I.R	500 VDC 100MΩ Min.	500 VDC 100MΩ Min.	500 VDC 100MΩ Min.
C	-----	-----	-----
D.C.R	N1: 3.5Ω Max. N2: 3.5Ω Max.	N1: 4.8Ω Max. N2: 4.8Ω Max.	N1: 3.3Ω Max. N2: 3.3Ω Max.
HI-POT	1500 VAC 60 SEC	1500 VAC 60 SEC	1500 VAC 60 SEC
SCHEMATIC	1	1	1

**DELTA ELECTRONICS, INC.**

(TAOYUAN PLANT CPBG) 31-1, SHIEN PAN ROAD, KUEI SAN INDUSTRIAL ZONE, TAOYUAN SHIEN, TAIWAN, R.O.C.  
TEL: 886-3-3626301 FAX: 886-3-3618901  
http://www.deltaww.com