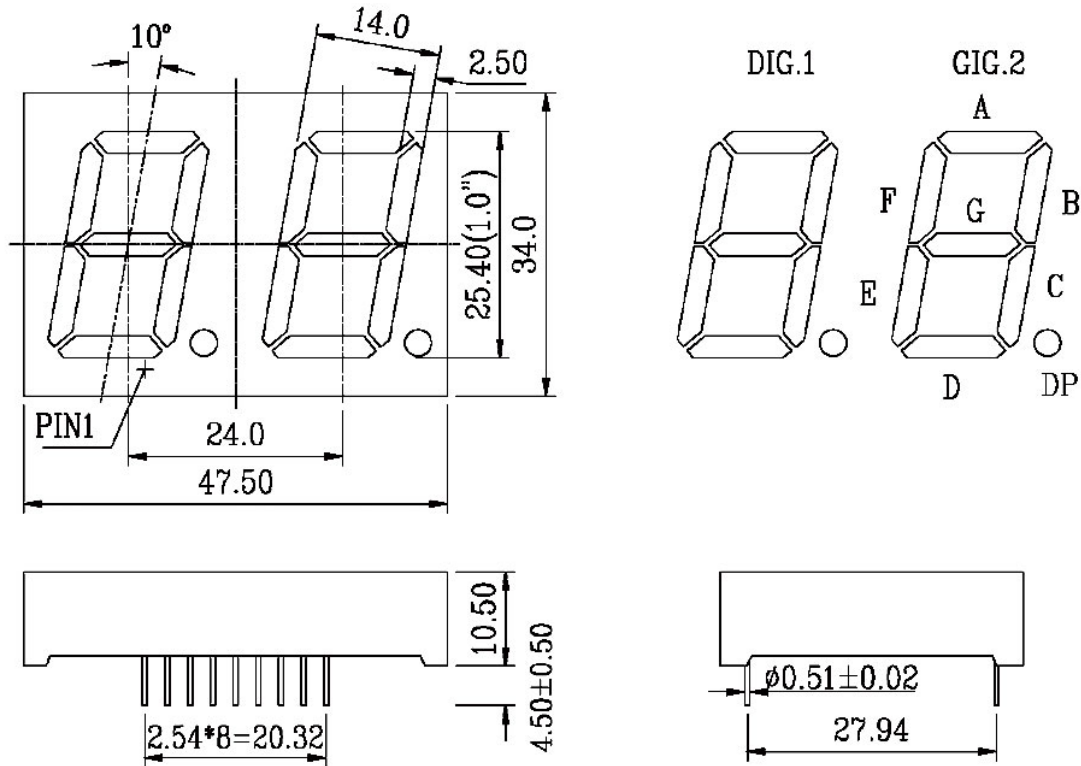




PACKAGE DIMENSIONS



NORMAL TOLERANCE: ±0.25    ANGLE: ±1°

INTERNAL CIRCUIT DIAGRAM

