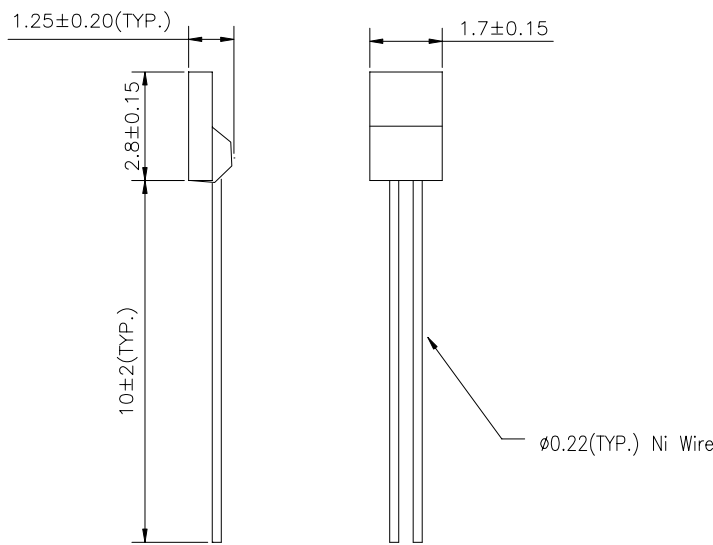


Specification of Pt Thermal Sensor

1. Electrical Characteristics of SA10160552

- 1-1 Resistance value (at 0°C) : 100.00 ± 0.06 ohm
- 1-2 Maximum applied current : 1mA
- 1-3 Insulation resistance : exceed 100M ohm at 500V DC
(@ room temp.)
- 1-4 Thermal response time (90%) : 10 sec. max. (in air, 1m/sec.)
- 1-5 Self heating : 2.5 mW/°C (in air, 1m/sec.)
- 1-6 Operation temperature range : -50°C to 500°C

2. Outline Drawings



3. Relationship of temperature with resistance

When $t \geq 0^\circ\text{C}$

$$R_t = R_0 (1 + At + Bt^2)$$

$$A = 3.9083E-3$$

$$B = -5.7750E-7$$

When $t < 0^\circ\text{C}$

$$R_t = R_0 [1 + At + Bt^2 + C(t-100)t^3]$$

$$A = 3.9083E-3$$

$$B = -5.7750E-7$$

$$C = -4.1830E-12$$

4. Specifications are subject to change without notice

A UNLESS OTHERWISE SPECIFIED TOLERANCES ON : X = ± X.X = ± X.XX = ± ANGLES ± HOLE DIA. ±	DRAWN BY:	乾坤科技股份有限公司 CYNTEC CO., LTD.			
	DESIGNED BY:				
	CHECKED BY:				
	APPROVED BY:	THIS DRAWINGS AND SPECIFICATIONS ARE THE PROPERTY OF CYNTEC CO., LTD. AND SHALL NOT BE REPRODUCED OR USED AS THE BASIS FOR THE MANUFACTURE OR SALE OF APPARATUS OR DEVICES WITHOUT PERMISSION			
	SCALE: X	UNIT: X	DOCUMENT NO.	SA10160552	PAGE REV. A0
TITLE: ENGINEERING SPEC. OF SA10160552					