

Specification of Pt Thermal Sensor

1. Electrical Characteristics of SA10201521

- | | |
|---------------------------------|--|
| 1-1 Resistance value (at 0°C) | : 1000.00 ± 1.20 ohm |
| 1-2 Maximum applied current | : 1mA |
| 1-3 Insulation resistance | : exceed 100M ohm at 500V DC
(@ room temp.) |
| 1-4 Thermal response time (90%) | : 40 sec. max. (in air, 1m/sec.) |
| 1-5 Self heating | : 2.5 mW/°C (in air, 1m/sec.) |
| 1-6 Operation temperature range | : -50°C to 500°C |

2. Outline Drawings

Please see attached figure.

3. Reliability Test

- 3-1 High temperature test
Keep the Pt sensor in 500°C for 1000 hours
- 3-2 Low temperature test
Keep the Pt sensor in -50°C for 1000 hours
- 3-3 Humidity test
Keep the Pt sensor in 60°C and 90 to 95% RH for 1000 hours
- 3-4 Thermal shock test
Keep the Pt sensor in 0°C ice water for at least 15 sec.,
then within 10 sec. directly put into 100°C hot water for
at least 15 sec.. The above process should be proceeded for
at least 10 cycles.

After each item test, valuation of item 1-1 should be within 0.12%
and item 1-3 should exceed 100M ohm at 500VDC.

A UNLESS OTHERWISE SPECIFIED TOLERANCES ON : X = ± X.X = ± X.XX = ± ANGLES ± HOLE DIA. ±	DRAWN BY:	乾坤科技股份有限公司 CYNTEC CO., LTD.	
	DESIGNED BY:		
	CHECKED BY:		
	APPROVED BY:	THIS DRAWINGS AND SPECIFICATIONS ARE THE PROPERTY OF CYNTEC CO., LTD. AND SHALL NOT BE REPRODUCED OR USED AS THE BASIS FOR THE MANUFACTURE OR SALE OF APPARATUS OR DEVICES WITHOUT PERMISSION	
	SCALE: X	UNIT: X	
TITLE: ENGINEERING SPEC. OF SA10201521		DOCUMENT NO.	SA10201521
			PAGE REV. A0

1

2

3

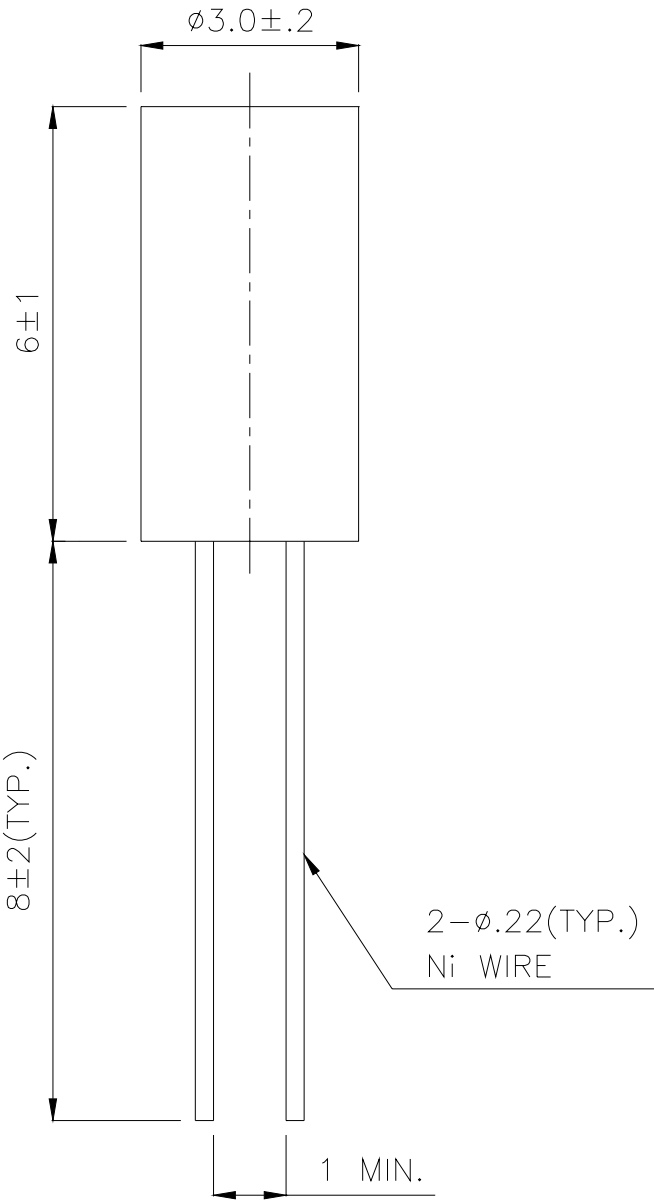
4

D

C

B

A



UNLESS OTHERWISE SPECIFIED
TOLERANCES ON :

X = ±
X.X = ±
X.XX = ±
ANGLES ± HOLE DIA. ±

DRAWN BY:	
DESIGNED BY:	
CHECKED BY:	
APPROVED BY:	
SCALE: X	UNIT: MM

乾坤科技股份有限公司
CYNTEC CO., LTD.

THIS DRAWINGS AND SPECIFICATIONS ARE THE PROPERTY OF CYNTEC CO., LTD.
AND SHALL NOT BE REPRODUCED OR USED AS THE BASIS FOR THE
MANUFACTURE OR SALE OF APPARATUS OR DEVICES WITHOUT PERMISSION

TITLE: THE DIMENSION OF SA10201521 FOR ENG.

DOCUMENT
NO.

SA10201521

PAGE REV.
A0

Temperature (°C)	Nominal Resistance(Ω)	Resistance Deviation(Ω)	Temperature Deviation(°C)
-50	803.06	2.18	0.55
-25	901.92	1.67	0.43
0	1000.00	1.20	0.30
25	1097.35	1.65	0.43
50	1193.97	2.12	0.55
75	1289.87	2.58	0.68
100	1385.06	3.03	0.80
125	1479.51	3.48	0.93
150	1573.25	3.92	1.05
175	1666.27	4.35	1.18
200	1758.56	4.78	1.30
225	1850.13	5.20	1.43
250	1940.98	5.61	1.55
275	2031.11	6.01	1.68
300	2120.52	6.41	1.80
325	2209.20	6.80	1.93
350	2297.16	7.18	2.05
375	2384.40	7.56	2.18
400	2470.92	7.93	2.30
425	2556.72	8.29	2.43
450	2641.79	8.64	2.55
475	2726.14	8.99	2.68
500	2809.78	9.33	2.80

(1) Relationship of temperature with resistance

When $t \geq 0^\circ\text{C}$	When $t < 0^\circ\text{C}$
$R_t = R_o (1 + At + Bt^2)$	$R_t = R_o [1 + At + Bt^2 + C(t-100)t^3]$
$A = 3.9083E-03$	$A = 3.9083E-03$
$B = -5.7750E-07$	$B = -5.7750E-07$
	$C = -4.1830E-12$
	$R_o = 1.000E+03$

(2) Temperature deviation

$$\pm(a + b |t|) ^\circ\text{C}$$

$$a = 0.300$$

$$b = 0.005$$

(3) Specification are subject to change without notice

UNLESS OTHERWISE SPECIFIED TOLERANCES ON : X = \pm X.X = \pm X.XX = \pm ANGLES \pm HOLE DIA. \pm	DRAWN BY:		乾坤科技股份有限公司 CYNTEC CO., LTD.	
	DESIGNED BY:			
	CHECKED BY:			
	APPROVED BY:		THIS DRAWINGS AND SPECIFICATIONS ARE THE PROPERTY OF CYNTEC CO., LTD. AND SHALL NOT BE REPRODUCED OR USED AS THE BASIS FOR THE MANUFACTURE OR SALE OF APPARATUS OR DEVICES WITHOUT PERMISSION	
SCALE: X	UNIT: X			
TITLE: ENGINEERING SPEC. OF SA10201521		DOCUMENT NO.	SA10201521	PAGE REV. A0