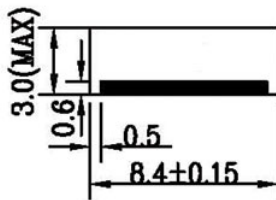
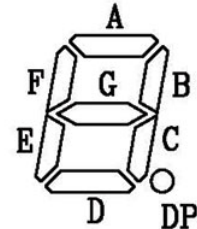
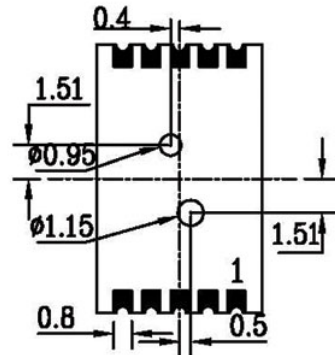
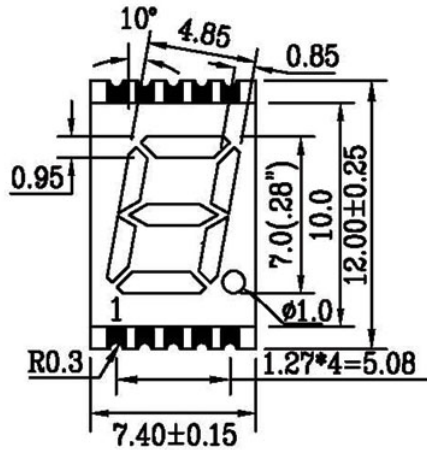


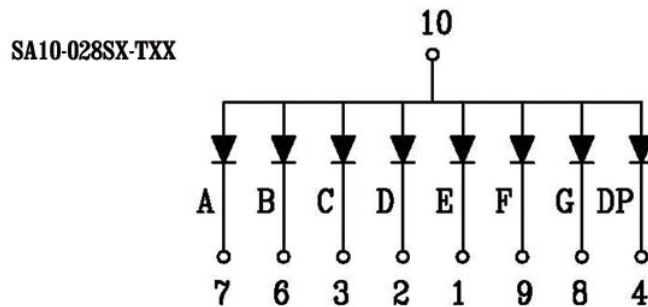
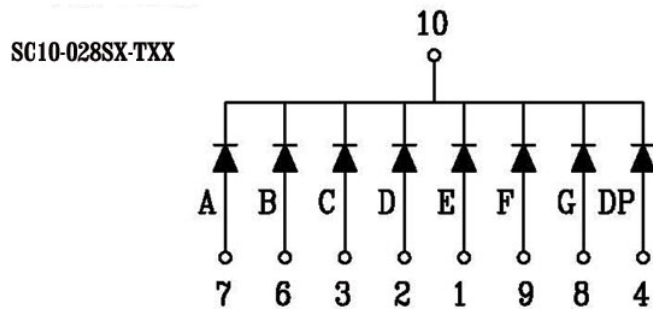


PACKAGE DIMENSIONS



NORMAL TOLERANCE:±0.10mm ANGLE:±1°

INTERNAL CIRCUIT DIAGRAM



5 NO CONNECT