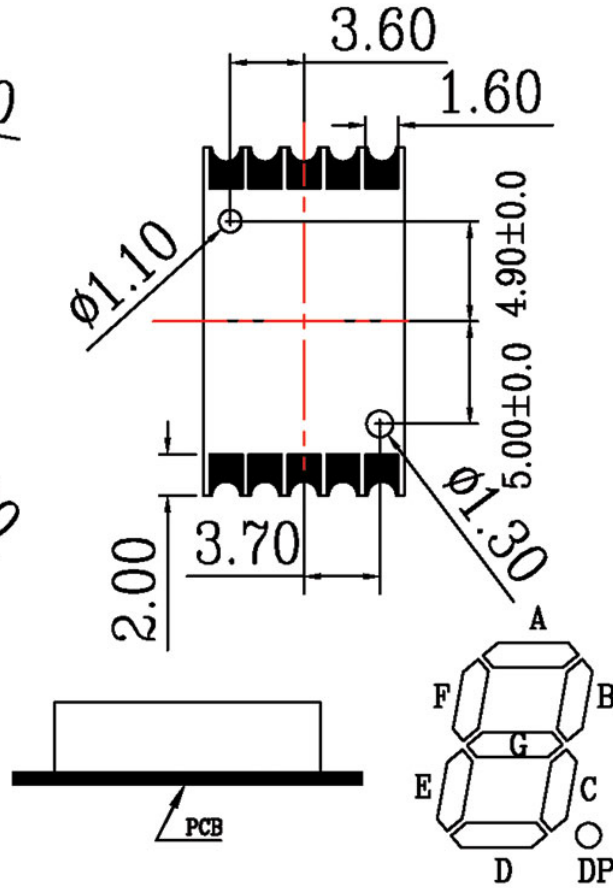
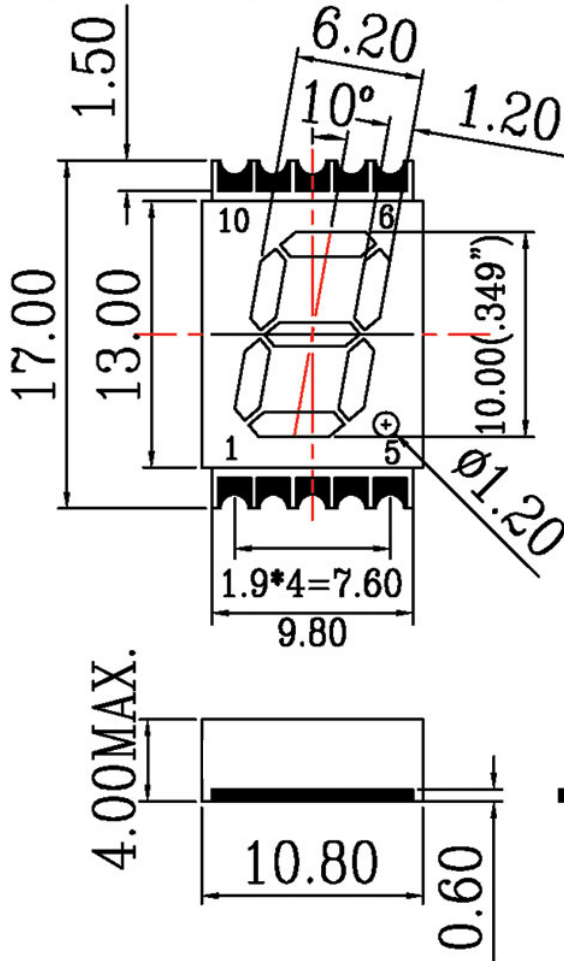


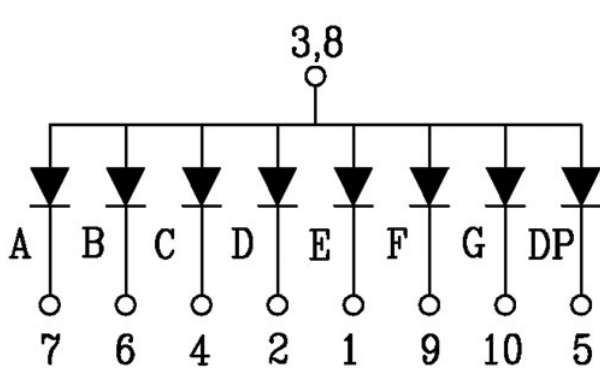


PACKAGE DIMENSIONS

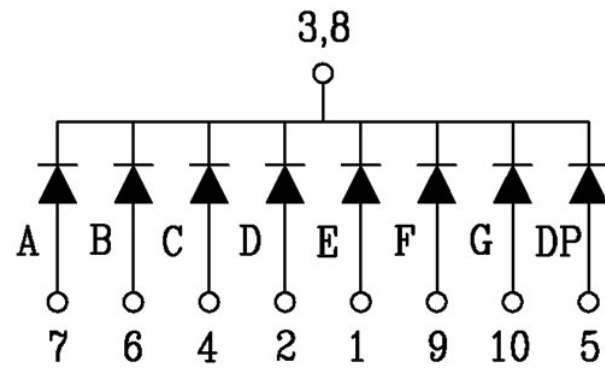


NORMAL TOLERANCE: ±0.25    ANGLE: ±1°

INTERNAL CIRCUIT DIAGRAM



SA10-039SX-TXX



SC10-039SX-TXX