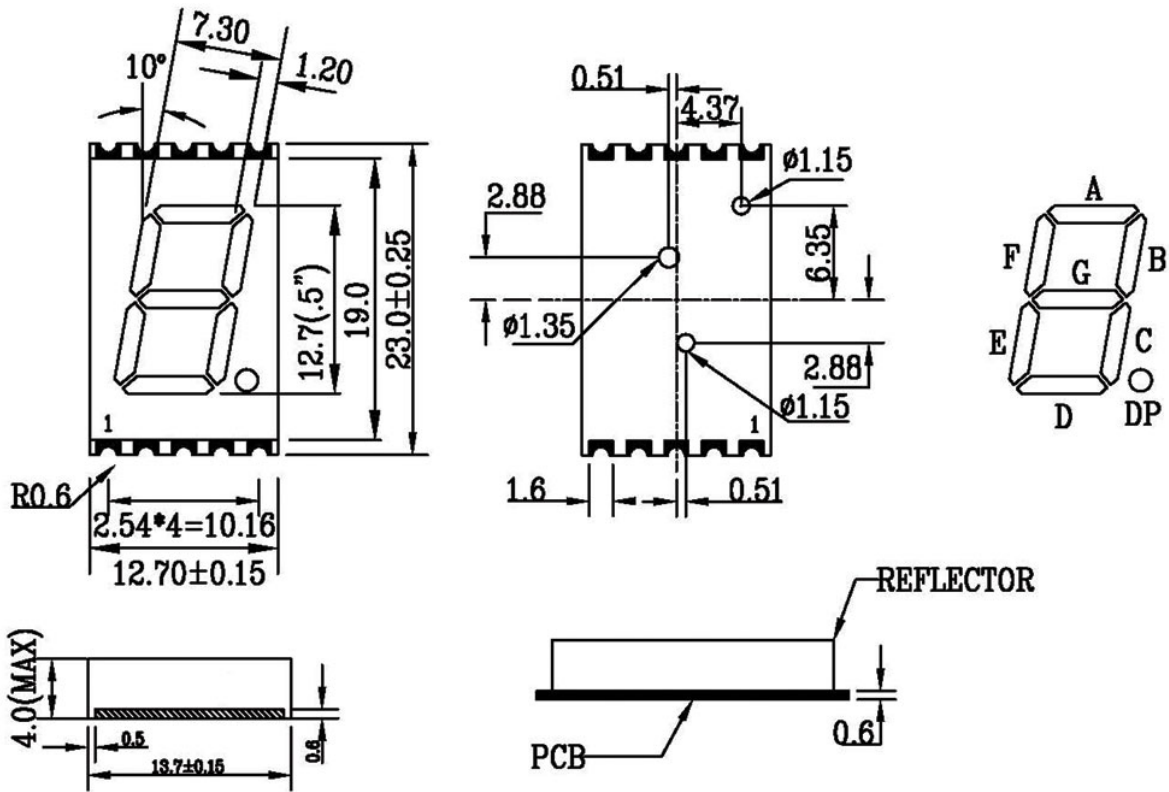


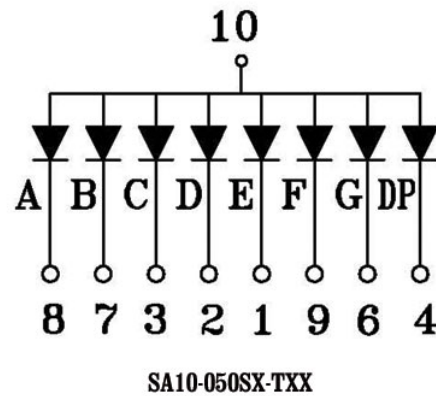
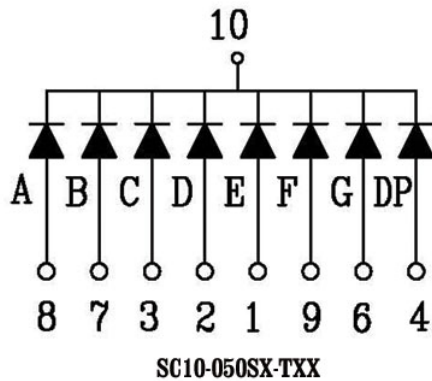


PACKAGE DIMENSIONS



NORMAL TOLERANCE: ± 0.10 ANGLE: $\pm 1^\circ$

INTERNAL CIRCUIT DIAGRAM



5 NO CONNECT