

D Series



12 Volt Input Dc to Ac Inverter

D12L70J

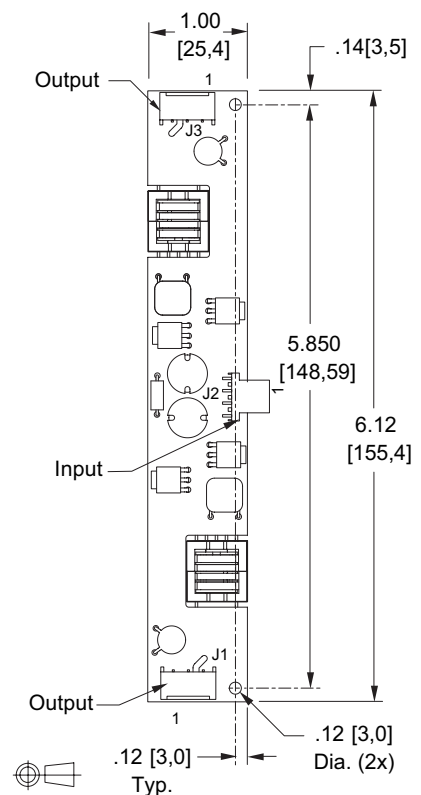
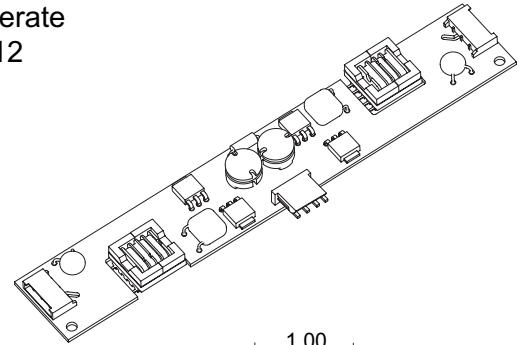
The D12L70J is a generic dc to ac inverter designed to generate 7 marms into a 500 - 700 volt load (CCFT) from a nominal 12 volt dc source.

FEATURES

- Low Profile
- Display compatible connector
- High efficiency

PHYSICAL SPECIFICATIONS

- Size: .79" x 3.58" x .32"
(without input connector) (20,1mm x 90,9mm x 8mm)
- Weight: 11.4 grams
- Operating Temperature: 0° to +70°C
- Storage Temperature: -20° to +85°C
- Humidity: 95% RH Max



Characteristics	Value	Units	Note(s)
Input Voltage	10.8 - 13.2	Volts dc	
Input Current	.90 typ	Adc	$R_L = 85.7 \text{ Kohms}$
Minimum No Load Output Voltage	1500	Vrms	$V_{in} = 12.00 \text{ Vdc}$
Frequency	37 typ	Khz	$V_{in} = 12.00 \text{ Vdc}$
Output Current per tube	7.0	marms	$R_L = 85.7 \text{ Kohms}$
Efficiency	78	%	Typical
The maximum input current (which indicates an overload condition) is 1.0 Adc maximum			

Inverters specifically designed to match most popular LCD modules are also available. Contact your authorized distributor or ERG direct.

Pin Descriptions

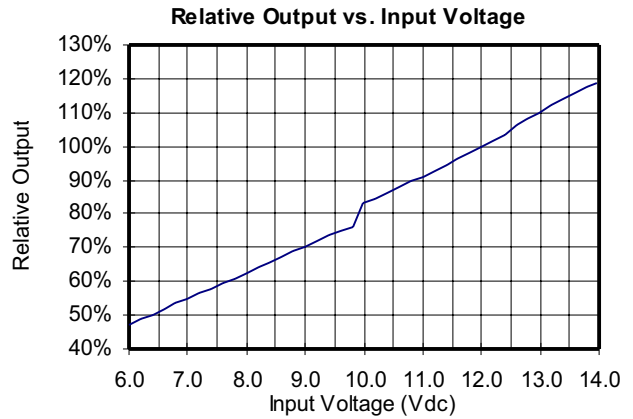
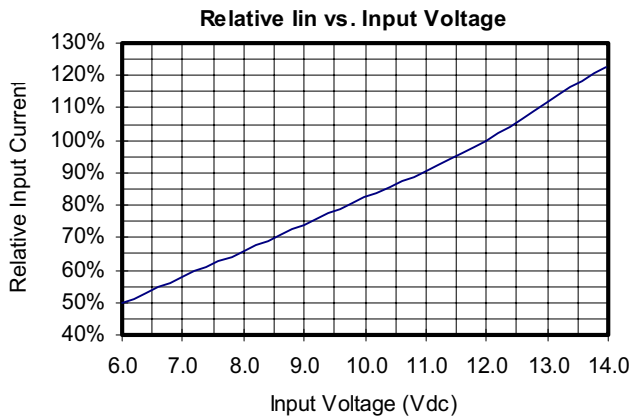
Input Connector		Output Connectors	
MOLEX 22-05-3041		JST SM02(8.0)B-BHS1TB	
J2-1	Vin	J1-1	ACout
J2-2	GND	J1-2	NC
J2-3	Control	J1-3	ACcommon
J2-4	NC	J3-1	ACout
		J3-2	NC
		J3-3	ACcommon

Endicott Research Group, Inc.
 2601 Wayne Street Endicott, New York 13760
 607-754-9187 fax 607-754-9255
<http://www.ergpower.com>

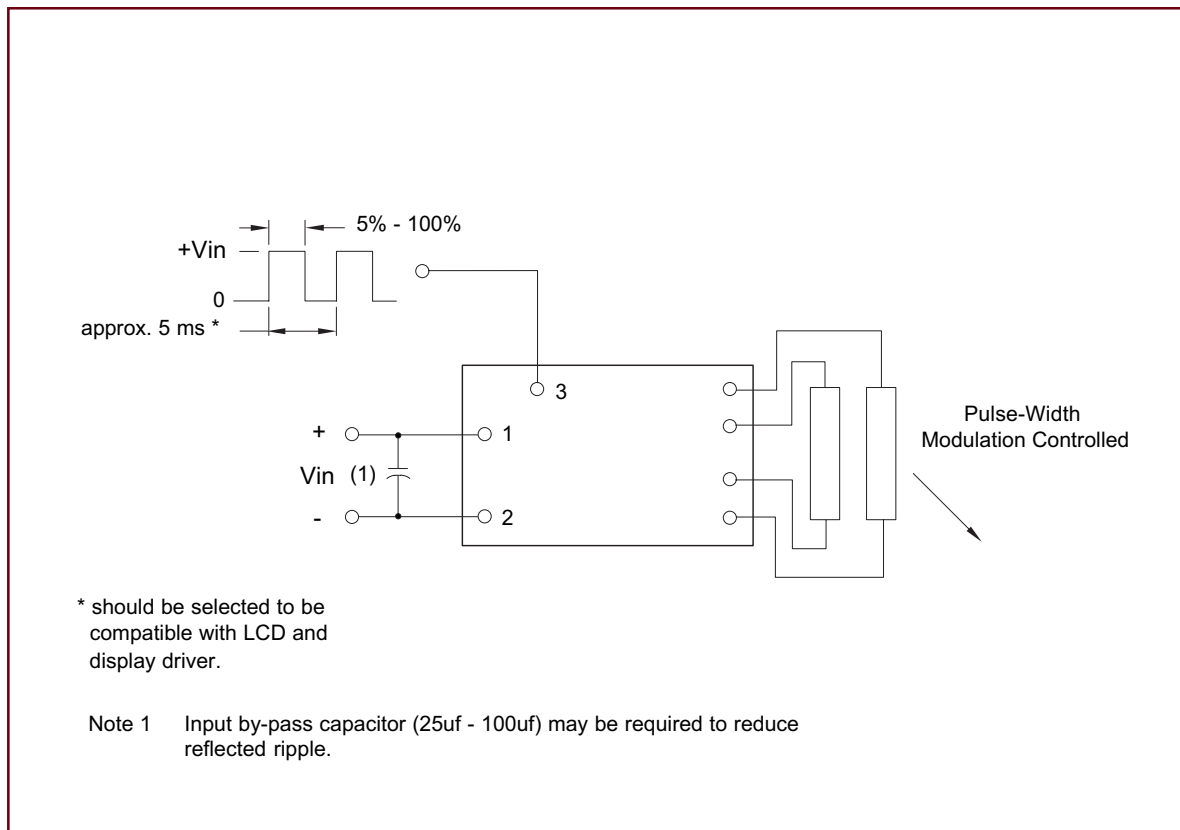
Connection and Application Information

12 Volt Input Dc to Ac Inverter

D12L70J



Dimming Option



Endicott Research Group, Inc.

Specifications are subject to change without notice.

01/05/01

D Series