

# Monolithic Quad SPST CMOS Analog Switches

(Obsolete for non-hermetic. Use DG201B/202B as pin-for-pin replacements.)

## FEATURES

- $\pm 15\text{-V}$  Input Range
- Low Off Leakage— $I_{D(on)}$ : 0.1 nA
- Low On-Resistance— $r_{DS(on)}$ : 115  $\Omega$
- 44-V Maximum Supply Ratings
- TTL and CMOS Compatible

## BENEFITS

- Wide Input Range
- Low Distortion Switching
- Can Be Driven from Comparators or Op Amps Without Limiting Resistors

## APPLICATIONS

- Disk Drives
- Radar Systems
- Communications Systems
- Sample-and-Hold

## DESCRIPTION

The DG201A\_MIL and DG202\_MIL are quad SPST analog switches designed to provide accurate switching over a wide range of input signals. When combining a low on-resistance and a wide signal range ( $\pm 15\text{ V}$ ) with low charge-transfer these devices are well suited for industrial and military applications.

switches will block up to 30 V peak-to-peak and have a 44-V absolute maximum power supply rating.

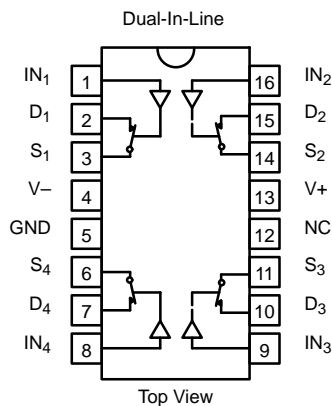
These two devices are differentiated by the type of switch actions (See Truth Table).

Built on Vishay Siliconix' high voltage metal gate process to achieve optimum switch performance, each switch conducts equally well in both directions when on. When off these

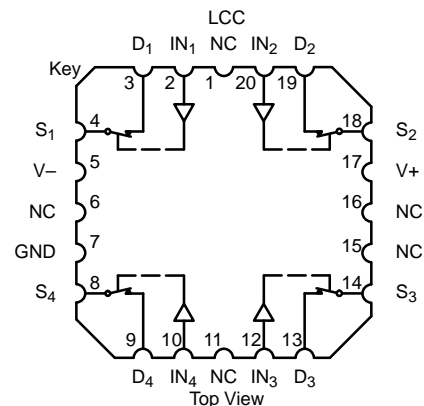
The DG201A\_MIL/202\_MIL are available in hermetic packages. For plastic packages, use the DG201B/202B as pin-for-pin replacements.

## FUNCTIONAL BLOCK DIAGRAM AND PIN CONFIGURATION

DG201A\_MIL



DG201A\_MIL



Logic	DG201A_MIL	DG202_MIL
0	ON	OFF
1	OFF	ON

Logic "0"  $\leq 0.8\text{ V}$   
 Logic "1"  $\geq 2.4\text{ V}$



ORDERING INFORMATION		
Temp Range	Package	Part Number
-55 to 125°C	16-Pin CerDIP	DG201AAK
		DG201AAK/883, JM38510/12302BEA
		7705301EA
		DG202AK
		DG202AK/883
-55 to 125°C	16-Pin Sidebrazed	JM38510/12302BEC
		7705301EC
	LCC-20	77053012A

**ABSOLUTE MAXIMUM RATINGS**

Voltages Referenced to V-

V+ ..... 44 V

GND ..... 25 V

Digital Inputs<sup>a</sup> V<sub>S</sub>, V<sub>D</sub> ..... (V-) -2 V to (V+) +2 V  
or 20 mA, whichever occurs first

Current, Any Terminal Except S or D ..... 30 mA

Continuous Current, S or D ..... 20 mA

Peak Current, S or D  
(Pulsed at 1 ms, 10% duty cycle max) ..... 70 mA

Storage Temperature (K, Z Suffix) ..... -65 to 150°C  
(J, Y Suffix) ..... -65 to 125°C

Power Dissipation (Package)<sup>b</sup>

16-Pin CerDIP and Sidebrazed<sup>c</sup> ..... 900 mW

LCC-20<sup>d</sup> ..... 750 mW

- Notes:
- a. Signals on S<sub>X</sub>, D<sub>X</sub>, or IN<sub>X</sub> exceeding V+ or V- will be clamped by internal diodes. Limit forward diode current to maximum current ratings.
  - b. All leads welded or soldered to PC Board.
  - c. Derate 12 mW/°C above 75°C
  - d. Derate 10 mW/°C above 75°C

**SCHEMATIC DIAGRAM (TYPICAL CHANNEL)**

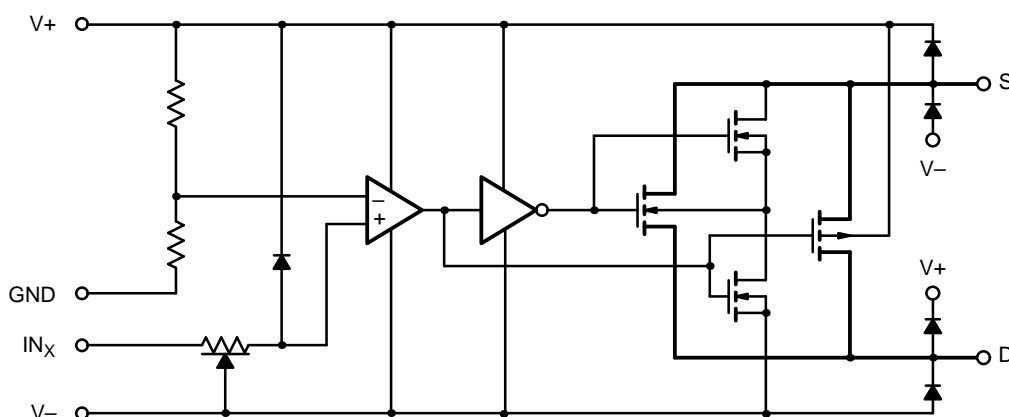


FIGURE 1.



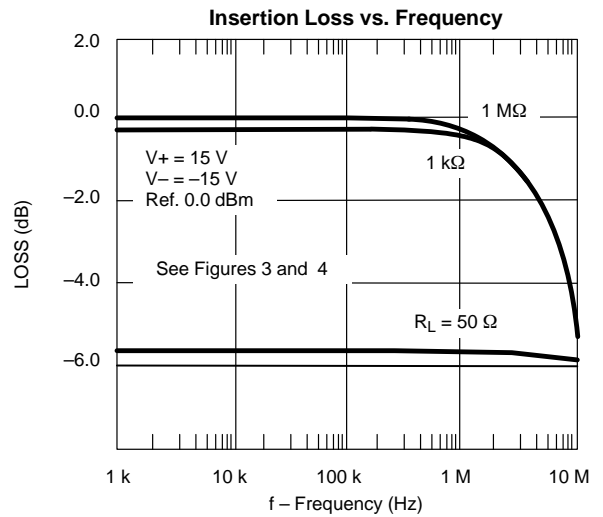
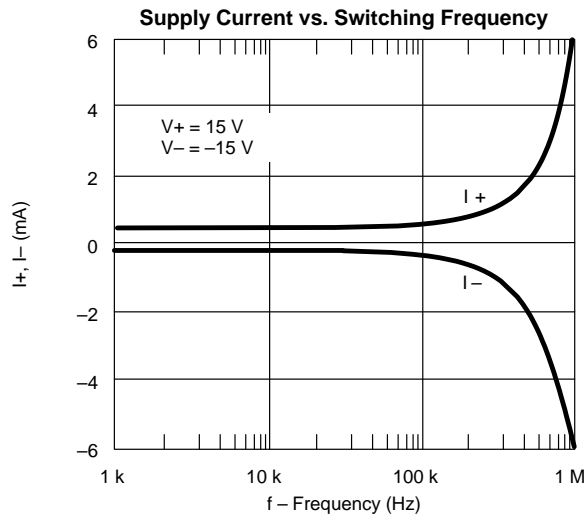
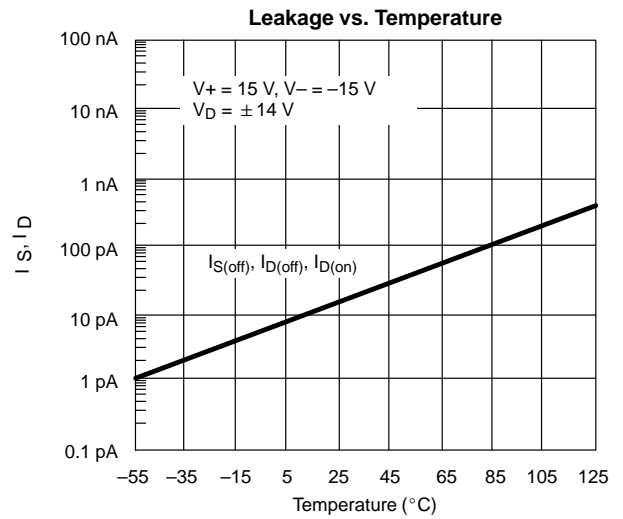
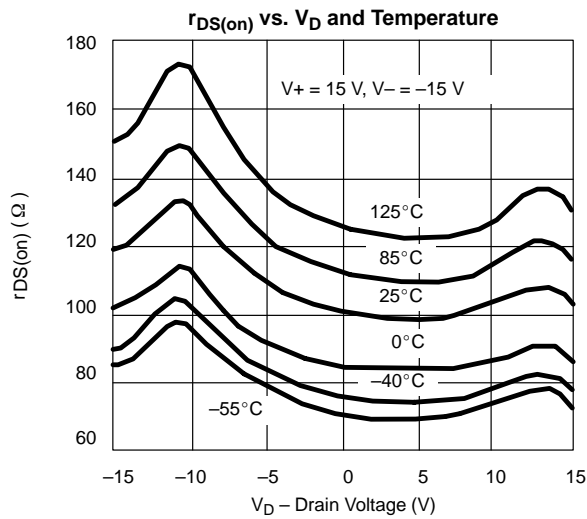
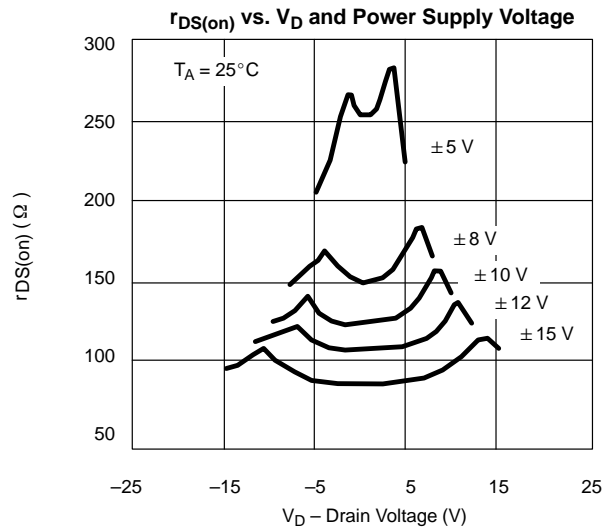
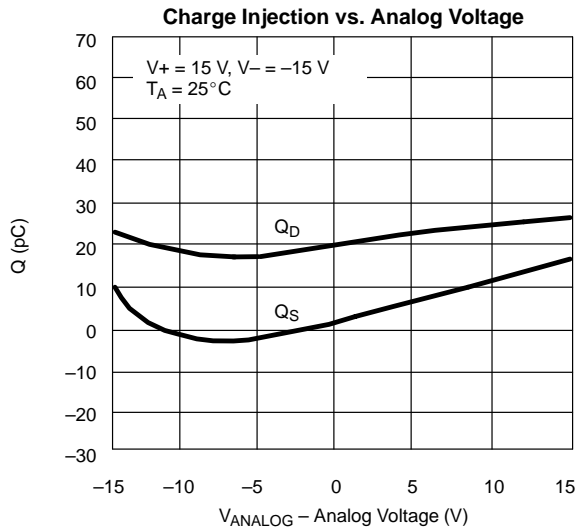
SPECIFICATIONS <sup>a</sup>							
Parameter	Symbol	Test Conditions Unless Specified $V_+ = 15\text{ V}, V_- = -15\text{ V}$ $V_{IN} = 2.4\text{ V}, 0.8\text{ V}^f$	Temp <sup>b</sup>	A Suffix -55 to 125°C			Unit
				Min <sup>d</sup>	Typ <sup>c</sup>	Max <sup>d</sup>	
<b>Analog Switch</b>							
Analog Signal Range <sup>e</sup>	$V_{ANALOG}$		Full	-15		15	V
Drain-Source On-Resistance	$r_{DS(on)}$	$V_D = \pm 10\text{ V}, I_S = 1\text{ mA}$	Room		115	175	$\Omega$
			Full			250	
Source Off Leakage Current	$I_{S(off)}$	$V_S = \pm 14\text{ V}, V_D = \mp 14\text{ V}$	Room Full	-1 -100	$\pm 0.02$	1 100	nA
Drain Off Leakage Current	$I_{D(off)}$	$V_D = \pm 14\text{ V}, V_S = \mp 14\text{ V}$	Room Full	-1 -100	$\pm 0.02$	1 100	
Drain On Leakage Current	$I_{D(on)}$	$V_S = V_D = \pm 14\text{ V}$	Room Full	-1 -200	$\pm 0.15$	1 200	
<b>Digital Control</b>							
Input Current with Input Voltage High	$I_{INH}$	$V_{IN} = 2.4\text{ V}$	Room Full	-1 -1	-0.0004		$\mu\text{A}$
		$V_{IN} = 15\text{ V}$	Room Full		0.003	1 10	
Input Current with Input Voltage Low	$I_{INL}$	$V_{IN} = 0\text{ V}$	Room Full	-1 -10	-0.0004		
<b>Dynamic Characteristics</b>							
Turn-On Time	$t_{ON}$	See Switching Time Test Circuit	Room		480	600	ns
Turn-Off Time	$t_{OFF}$		Room		370	450	
Charge Injection	Q	$C_L = 1000\text{ pF}, V_g = 0\text{ V}$ $R_g = 0\ \Omega$	Room		20		pC
Source-Off Capacitance	$C_{S(off)}$	$V_S = 0\text{ V}, V_{IN} = 5\text{ V}, f = 1\text{ MHz}$	Room		5		pF
Drain-Off Capacitance	$C_{D(off)}$		Room		5		
Channel On Capacitance	$C_{D(on)} + C_{S(on)}$	$V_D = V_S = 0\text{ V}, V_{IN} = 0\text{ V}$ $f = 1\text{ MHz}$	Room		16		
Off Isolation	OIRR	$V_{IN} = 5\text{ V}, R_L = 75\ \Omega$ $V_S = 2\text{ V}, f = 100\text{ kHz}$	Room		70		dB
Channel-to-Channel Crosstalk	X <sub>TALK</sub>		Room		90		
<b>Power Supply</b>							
Positive Supply Current	I <sub>+</sub>	All Channels On or Off	Room		0.9	2	mA
Negative Supply Current	I <sub>-</sub>		Room	-1	-0.3		

Notes:

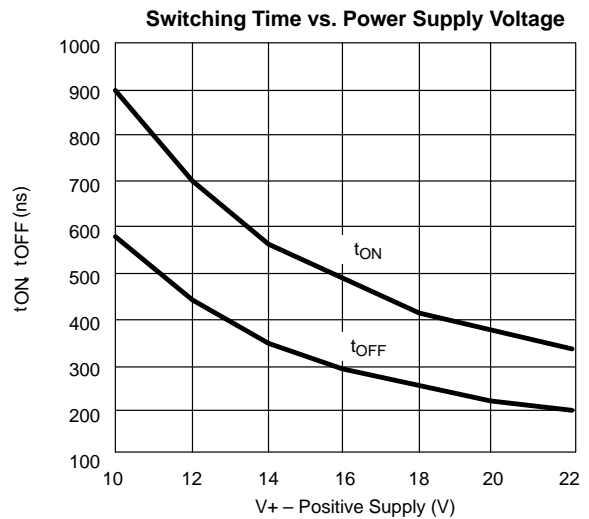
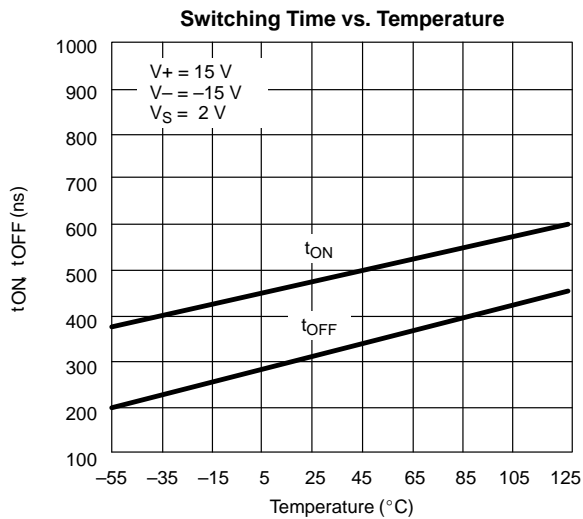
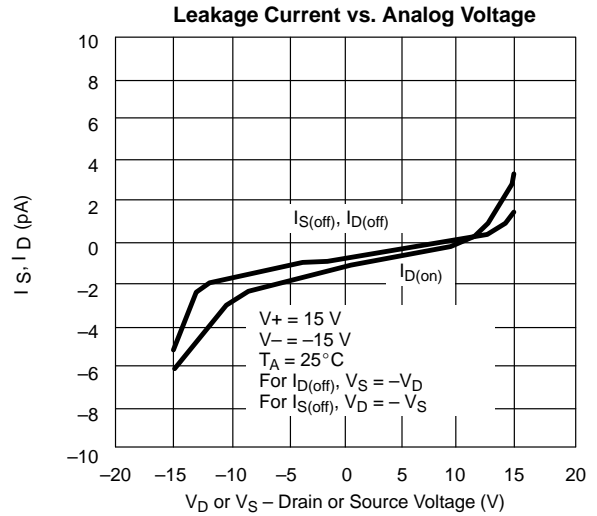
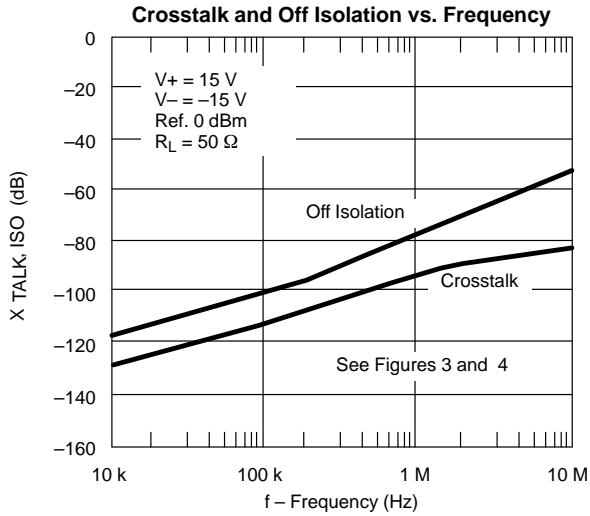
- a. Refer to PROCESS OPTION FLOWCHART.
- b. Room = 25°C, Full = as determined by the operating temperature suffix.
- c. Typical values are for DESIGN AID ONLY, not guaranteed nor subject to production testing.
- d. The algebraic convention whereby the most negative value is a minimum and the most positive a maximum, is used in this data sheet.
- e. Guaranteed by design, not subject to production test.
- f.  $V_{IN}$  = input voltage to perform proper function.



**TYPICAL CHARACTERISTICS (25°C UNLESS NOTED)**



**TYPICAL CHARACTERISTICS (25°C UNLESS NOTED)**



**TEST CIRCUITS**

$V_O$  is the steady state output with switch on. Feedthrough via gate capacitance may result in spikes at leading and trailing edge of output waveform.

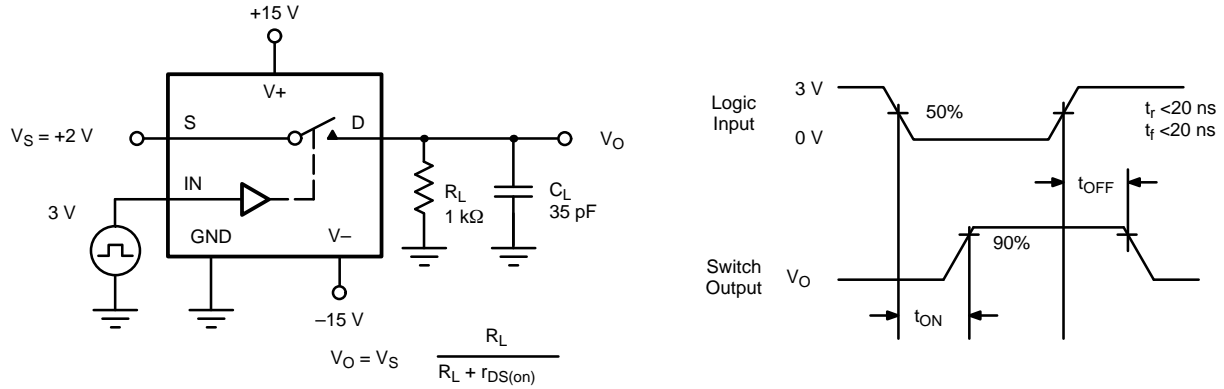


FIGURE 2. Switching Time

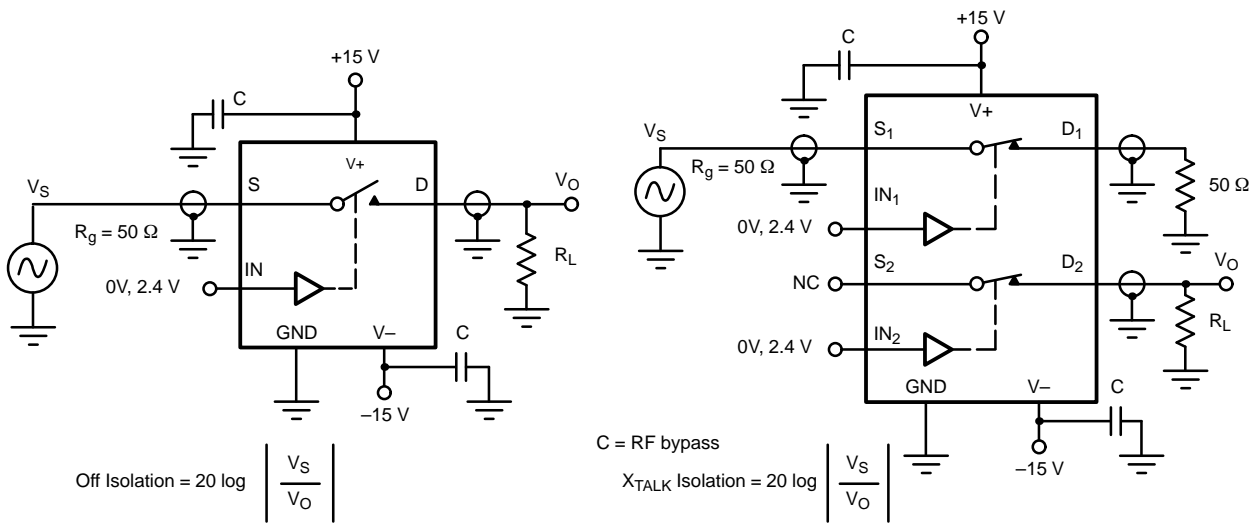


FIGURE 3. Off Isolation

FIGURE 4. Channel-to-Channel Crosstalk

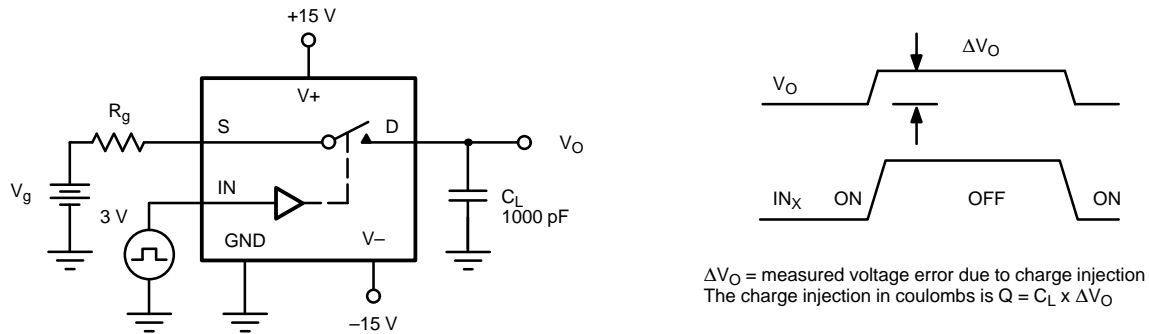


FIGURE 5. Charge Injection

APPLICATION HINTS <sup>a</sup>			
V+ Positive Supply Voltage (V)	V- Negative Supply Voltage (V)	V <sub>IN</sub> Logic Input Voltage V <sub>INH(min)</sub> /V <sub>INL(max)</sub> (V)	V <sub>S</sub> or V <sub>D</sub> Analog Voltage Range (V)
15	-15	2.4/0.8	-15 to 15
10	-12	2.4/0.8	-12 to 12
12	-10	2.2/0.6	-10 to 10
8 <sup>b</sup>	-8	2.0/0.5	-8 to 8

Notes:

- a. Application Hints are for DESIGN AID ONLY, not guaranteed and not subject to production testing.
- b. Operation below ±8 V is not recommended.

**APPLICATIONS**

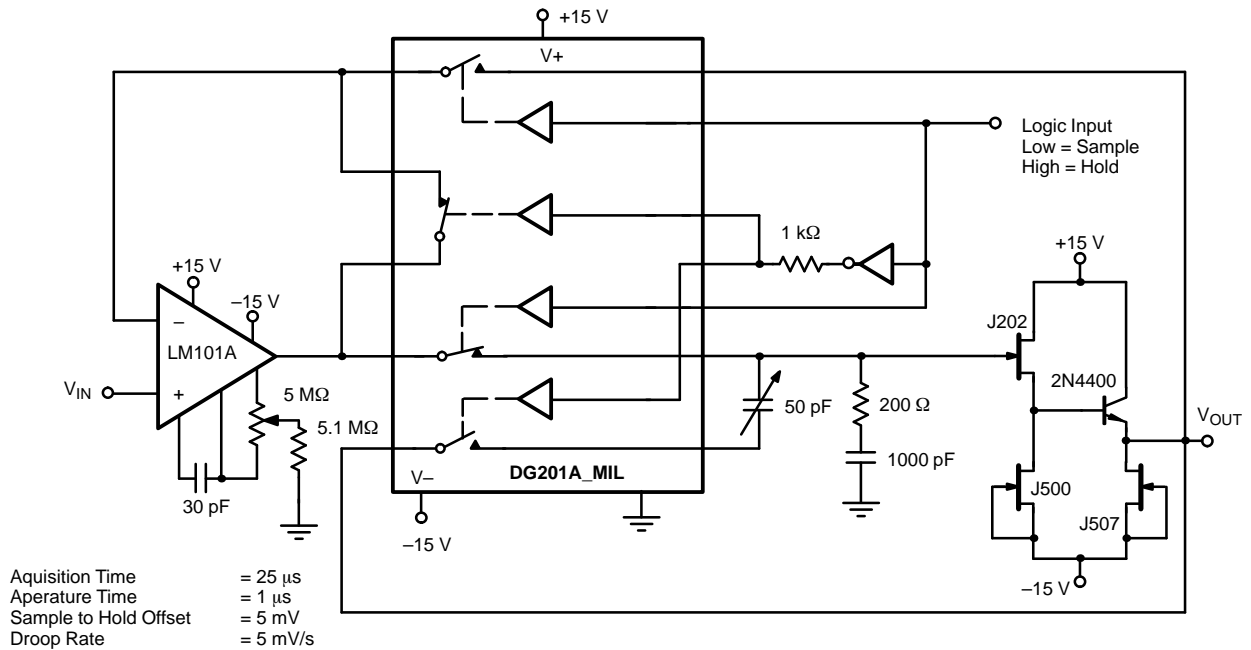
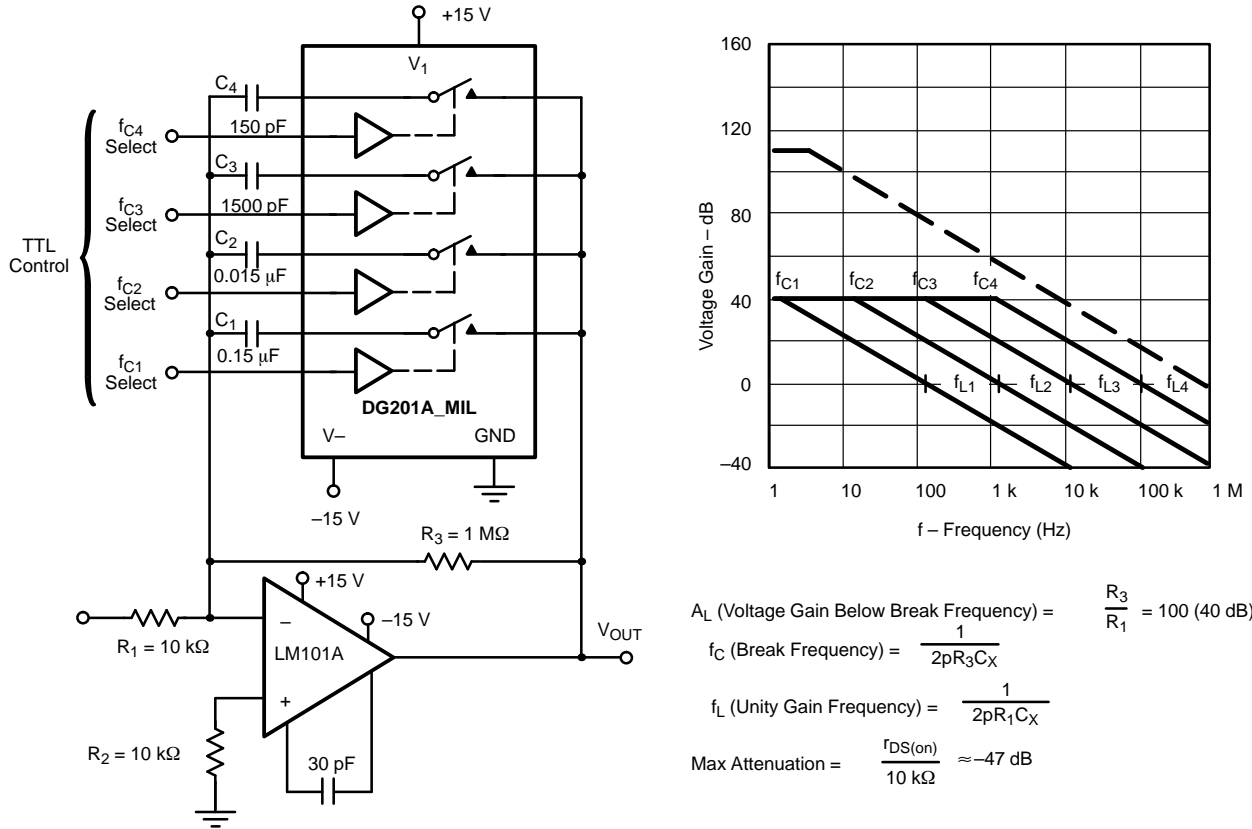
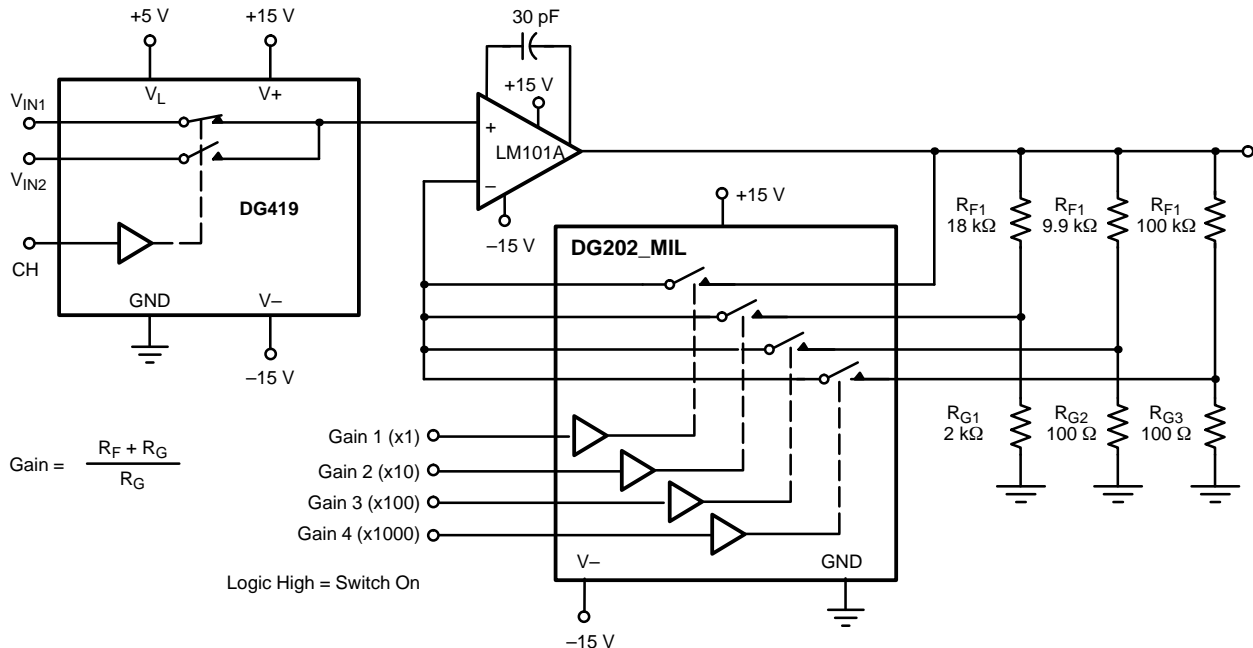


FIGURE 6. Sample-and-Hold

**APPLICATIONS**



**FIGURE 7.** Active Low Pass Filter with Digitally Selected Break Frequency



**FIGURE 8.** A Precision Amplifier with Digitally Programmable Input and Gains





## Notice

Specifications of the products displayed herein are subject to change without notice. Vishay Intertechnology, Inc., or anyone on its behalf, assumes no responsibility or liability for any errors or inaccuracies.

Information contained herein is intended to provide a product description only. No license, express or implied, by estoppel or otherwise, to any intellectual property rights is granted by this document. Except as provided in Vishay's terms and conditions of sale for such products, Vishay assumes no liability whatsoever, and disclaims any express or implied warranty, relating to sale and/or use of Vishay products including liability or warranties relating to fitness for a particular purpose, merchantability, or infringement of any patent, copyright, or other intellectual property right.

The products shown herein are not designed for use in medical, life-saving, or life-sustaining applications. Customers using or selling these products for use in such applications do so at their own risk and agree to fully indemnify Vishay for any damages resulting from such improper use or sale.