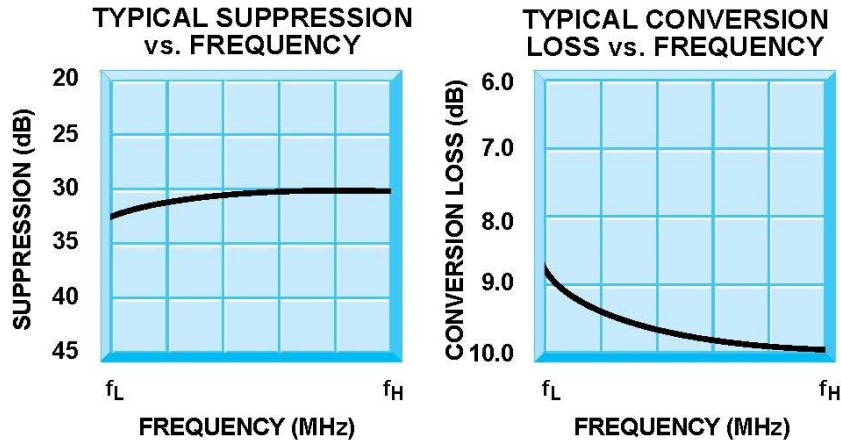


SSB Series

Single Sideband Modulators



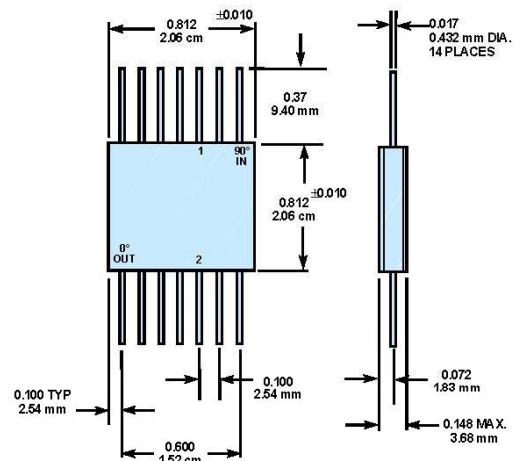
Guaranteed Specifications (-54° to +85°C)

RF Level (DBM)	+10
Modulation Level 2 Signals in Quadrature Phase (DBM)	0
Modulation Frequency	0 to 5 MHz
Carrier & Sideband	
Suppression Below Output	-30 dB
Conversion Loss	10 dB Max.

Product Selection Guide

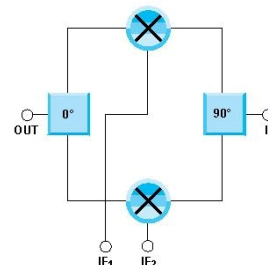
SSB-60	43 to 82 MHz
SSB-70	50 to 90 MHz
SSB-150	135 to 165 MHz
SSB-325	250 to 450 MHz
SSB-425	400 to 450 MHz
SSB-490	460 to 540 MHz

Mechanical Outline



All unmarked pins are grounded.

Functional Schematic



STC Microwave Systems – www.craneae.com
 28 Tozer Road • Beverly, MA 01915
 phone: 978-524-7200 • email: electronics@craneae.com

Revision SSB-60 – SSB-490 2005 08252

STC MICROWAVE SYSTEMS - OLEKTRON
 A CRANE CO. COMPANY

