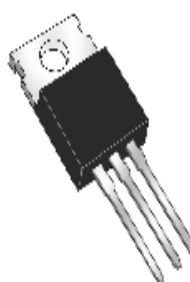


Main Product Characteristics:

IF	2×10A
VRRM	100V
Tj(max)	150C
Vf(max)	0.8V



Features and Benefits:

- High Junction Temperature
- High ESD Protection, IEC Model $\pm 10\text{Kv}$
- High Forward & Reverse Surge capability

Description:

Schottky Barrier Rectifier designed for high frequency switch model power supplies such as adaptors and DC/DC convertors; this product special design for high forward and reverse surge capability

TO220
SSBR20100CT

TO220F
SSBR20100CTF

Absolute Rating:

Symbol	Characterizes	Value	Unit
VRRM	Peak Repetitive Reverse Voltage	100	V
VR(RMS)	RMS Reverse Voltage	70	V
IF(AV)	Average Forward Current	Per diode	10 A
		Per device	20 A
IFSM	Non Repetitive Surge Forward Current(tp=8.3ms sinusoidal)	180	A
IRRM	Peak Repetitive Reverse Surge Current(Tp=2us)	0.5	A
TJ	Maximum operation Junction Temperature Range	-50~150	°C
Tstg	Storage Temperature Range	-50~150	°C

Thermal Resistance

Symbol	Characterizes	Value	Unit
RθJC	Maximum Thermal Resistance Junction To	TO220	2 °C/W
	Case	TO220F	4 °C/W

Electrical Characterizes @TA=25°C unless otherwise specified

Symbol	Characterizes	Min	Typ	Max	Unit	Test Condition
VR	Reverse Breakdown Voltage	100			V	IR=0.5mA
VF	Forward Voltage Drop			0.8	V	IF=10A, TJ=25°C
				0.75		IF=10A, TJ=125°C
IR	Leakage Current			0.1	mA	VR=100V, TJ=25°C
				5		VR=100V, TJ=125°C

I-V Curves;

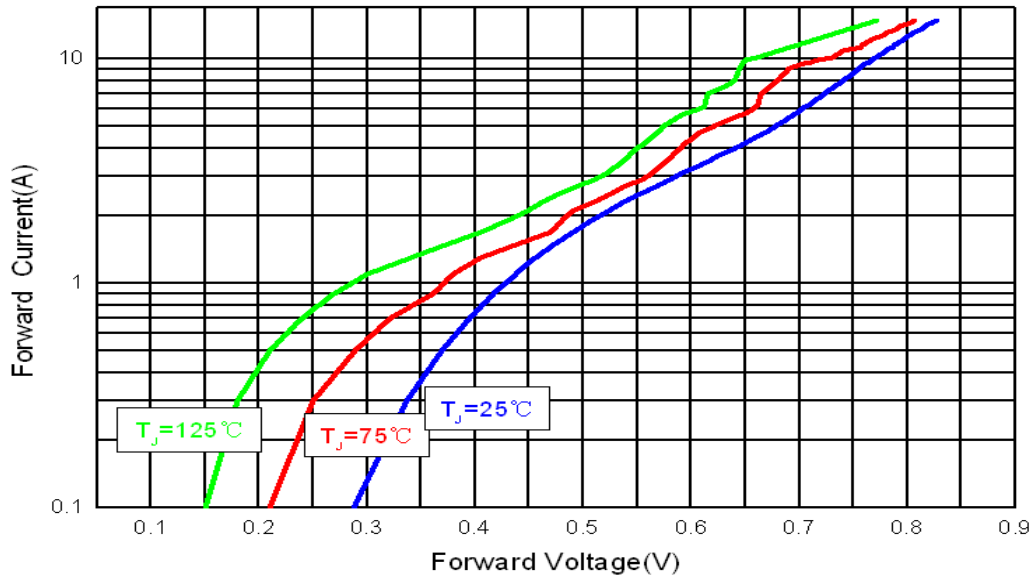


Figure 1: Typical Forward Characteristics

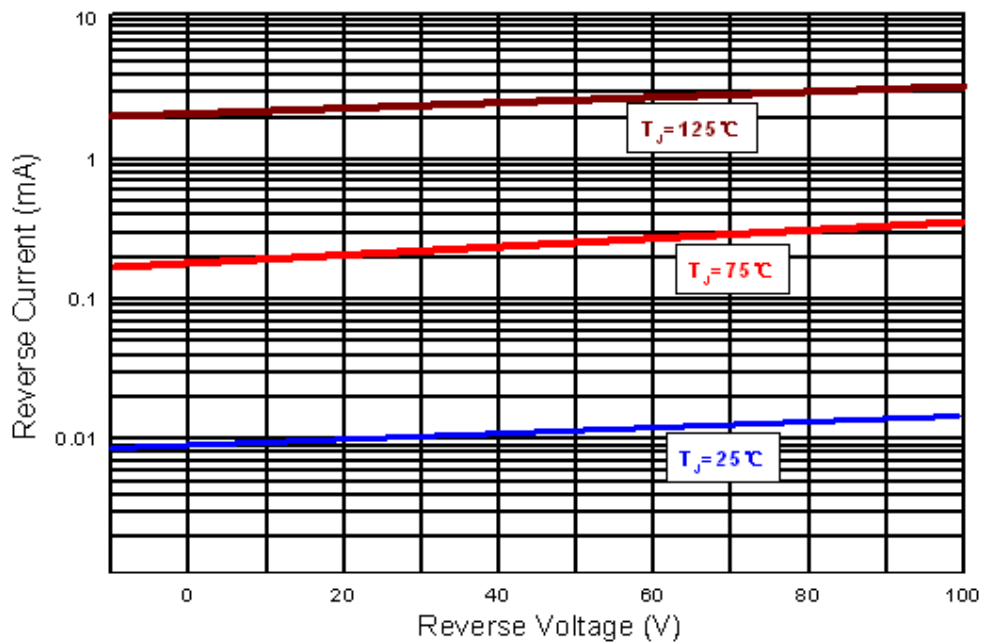
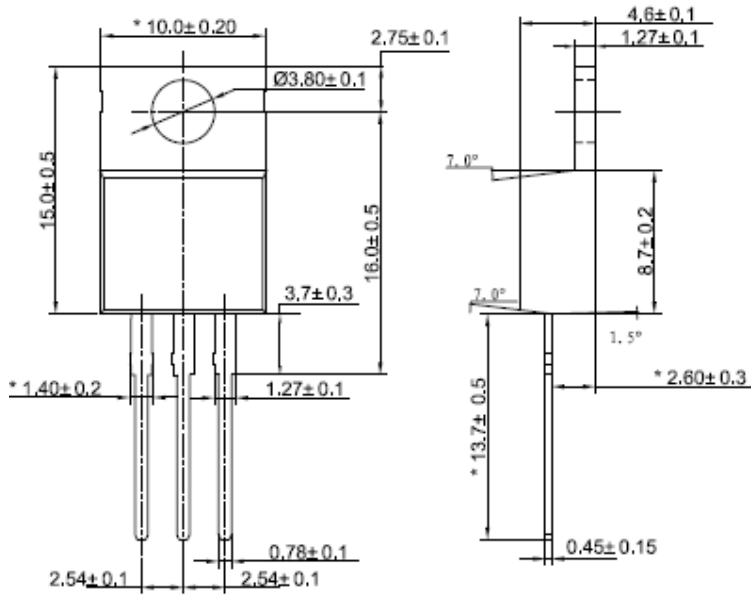


Figure 2: Typical Reverse Characteristics

Mechanical Data:

TO220



TO220F:

