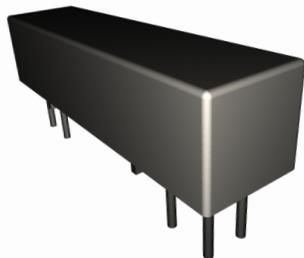


21D FormC Series

PCB Mount



PRODUCT DESCRIPTIONS

This series comes in Form C configuration, and has been widely accepted by measurement equipment industries for VXI/PXI pattern generators and arbitrary waveform generators.

SPECIFICATIONS



21D FormC Series		21D-1E□2□0			PCB Mount
Parameters	Units	1 Form C			Test Conditions
Coil Specifications					
Nominal Coil Voltage	VDC	5.0	12.0	24.0	±10% @ 20°C 15°C to 35°C 15°C to 35°C
Coil Resistance	Ω	90	600	1800	
Operate Voltage	VDC Max	3.3	8.3	16.6	
Release Voltage	VDC Min	0.7	1.2	2.4	
Contact Ratings					
Switching Voltage	Volts	100			Max DC/Peak AC resistance
Switching Current	Amps	0.5			Max DC/Peak AC resistance
Carry Current	Amps	1.0			Max DC/Peak AC resistance
Contact Rating	Watts	10			Max DC/Peak AC resistance
Life Expectancy	x10 ⁶ Cycle	1000			@ 1V 10mA
Contact Resistance	mΩ	150			Max initial @ operate voltage
Contact Resistance Stability	mΩ	5.0			Max initial @ operate voltage
Relay Specifications					
Insulation Resistance	Ω Min	10 ¹⁰			Between all isolated pins @ 100V 20°C 40%RH
Dielectric Strength	VDC Min	200			Between contacts
	VDC Min	500			Contacts to shield
	VDC Min	500			Contacts/Shield to coil
Operate Time (Including Bounce)	msec Max	1.0			@ nominal coil voltage 100Hz square wave
Release Time	msec Max	1.0			Diode suppression
Environmental Ratings					
Measurement Reference Conditions		Storage temp: -40°C to +85°C			
Temp: 15°C to 35°C		Operate temp: -20°C to +80°C			
Humidity: 25% to 75%RH		Vibration: 20G's to 2000Hz			
Atmospheric Pressure: 860 to 1060hpa		Shock: 50G's			

Ordering Code:

21D-1E□1)2□2)0

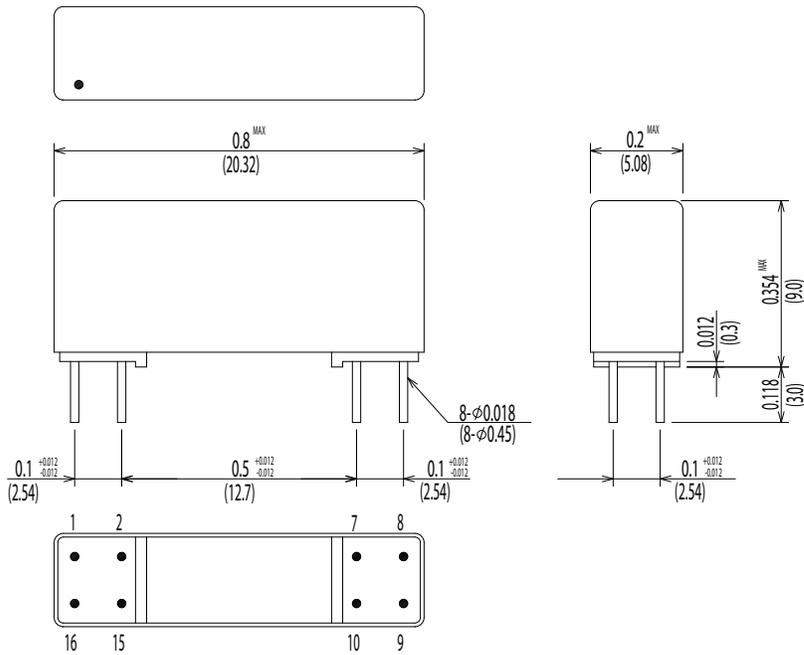
□1)=1 (5.0VDC), 2 (12.0VDC), 3 (24.0VDC)

□2)=D (Diode), E (LED), N (No diode)

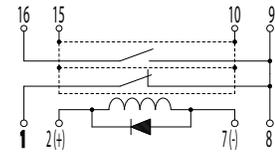
Dimensions All Dimensions are inches (mm)

Schematic <Top View>

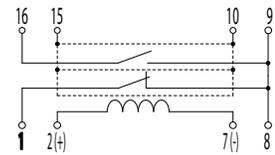
21D-1E□2D0/21D-1E□2N0



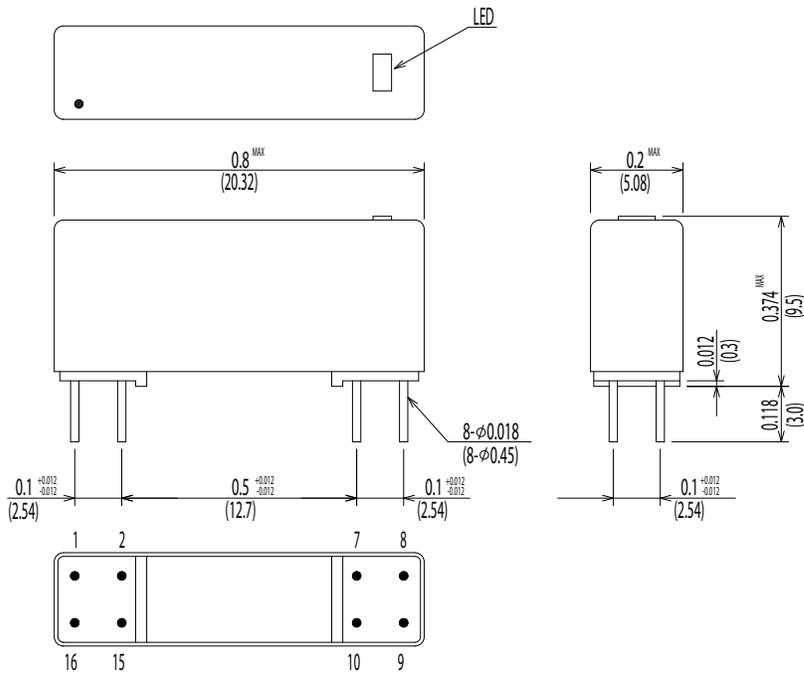
21D-1E□2D0



21D-1E□2N0



21D-1E□2E0



21D-1E□2E0

