

2 AMPERES SCHOTTKY BARRIER RECTIFIERS 【SL2XB Series】

VOLTAGE : 20 to 60 Volts

CURRENT : 2 Amperes – Low Vf

FEATURES

Plastic Package Has Underwriters Laboratory Flammability Classification 94V-0 Metal Silicon Junction.

- Low Profile Surface Mount Package
- Built-In Strain Relief
- Low Power Loss, High Efficiency
- Guarding For Over voltage Protection
- For Use In Low Voltage, High Frequency Inverters, Free Wheeling, And Polarity Protection Applications

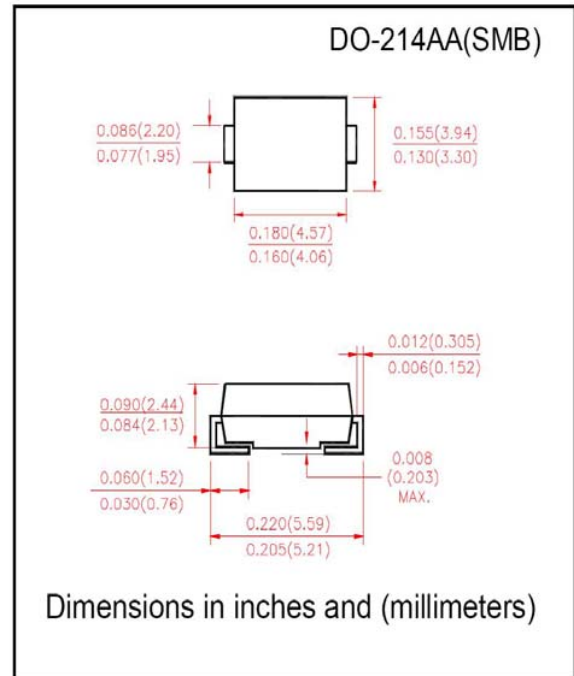
MECHANICAL DATA

Case : SMB Molded Plastic Body

Terminals : Lead Solderable Per MIL-STD-750, Method 2026

Polarity : Color Band Denotes Cathode End

Weight : 0.003 ounce, 0.093 gram



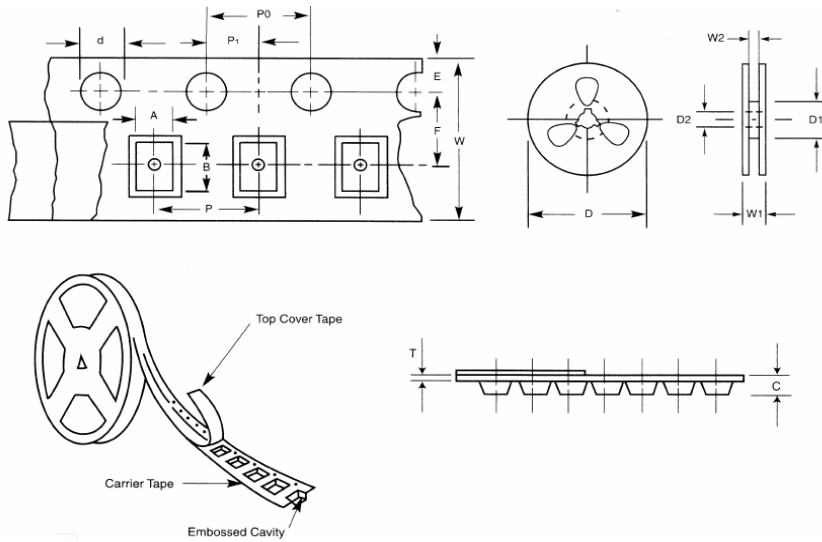
MAXIMUM RATINGS AND ELECTRICAL CHARACTERISTICS

Rating at 25°C ambient temperature unless otherwise specified. Single phase, half wave, 60HZ, resistive or inductive load.

For capacitive load, derate current by 20%.

Parameter	Symbol	SL22B	SL24B	SL26B	UNITS
Maximum Recurrent Peak Reverse Voltage	V_{RRM}	20	40	60	V
Working Peak Reverse Voltage	V_{RWM}	20	40	60	V
Maximum DC Blocking Voltage	V_{DC}	20	40	60	V
Maximum Average Forward Current	$I_{F(AV)}$	2.0			A
Peak Forward Surge Current 8.3ms single half sine-wave superimposed on rated load (JEDEC Method) per leg	I_{FSM}	50			A
Operating Junction Temperature Range	T_J	-55 to +115			°C
Storage Temperature Range	T_{STG}	-55 to +115			°C
Maximum Forward Voltage per leg ($T_J=25^\circ\text{C}$)	V_F	0.38	0.40	0.55	V
Maximum DC Reverse Current at Rated DC Blocking Voltage(AT $V_R=V_{RRM}$)	I_R	1.0			mA
Typical Junction Capacitance	C_J	75			PF
Typical Thermal Resistance	$R_{\theta JC}$	15			°C/W

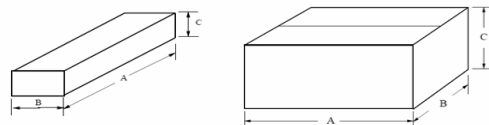
Reel Taping Specification For Surface Mount Devices



Reel Dimensions

Item	Symbol	SMB
Carrier width	A	4.0 (max)
Carrier length	B	5.9 (max)
Carrier depth	C	3.0 (max)
Sprocket hole	d	1.5±0.1 DIA
Reel outside diameter	D	178±2.0 / 330±2
Reel inner diameter	D1	50 min
Feed hole diameter	D2	13.5±1
Sprocket hole position	E	1.75±0.1
Punch hole position	F	5.5±0.05
Punch hole pitch	P	8.0±0.1
Sprocket hole pitch	Po	4.0±0.1
Embossment center	P1	2.0±0.05
Overall tape thickness	T	0.6 max
Tape width	W	12.0±0.3
Reel width	W1	18.4 (max)
Reed width	W2	14.4 (max)

Packaging Specification



Device Type	Reel (EA)	Reel Dia(mm)	Carton Size(mm)	Carton (EA)	Approx. Gross Weight (KG)
SMB-7"	750	178	380 x 230 x 370	30,000	8.0
SMB-13"	3,000	330	380 x 230 x 370	30,000	9.0



Electrical Characteristic Curves 2A60V

