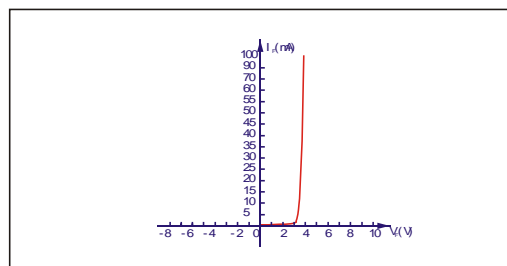
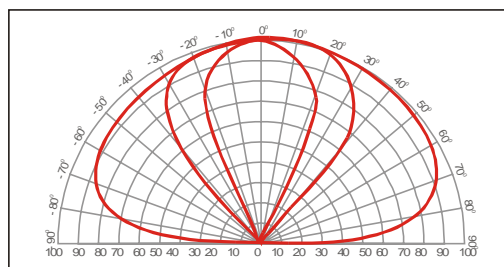
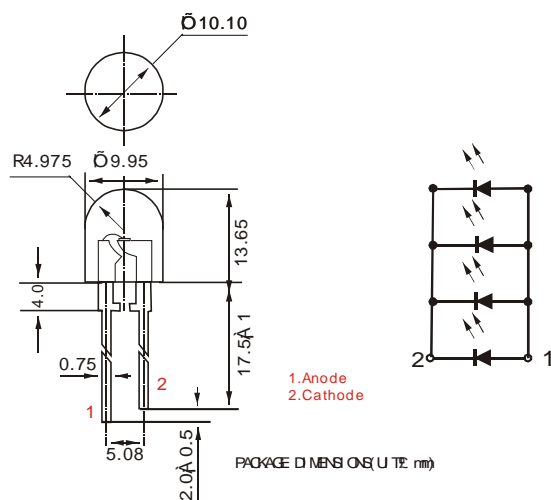


SERIES 10X4DHCB HIGH POWER LED



Electro-Optical Characteristics ($T_a=25^\circ\text{C}$)

Items	Epoxy Package	Lead frame	Emitting Color	Wavelength λ_p (nm)	Electro-Optical Characteristics				
					V_F (V)	I_F (mA)	I_v (mcd)		
							50°	80°	180°
10W4DHCB-H	W/o flange	Copper	White	—	<4.0	80	15000	13000	12000
10B4DHCB-H	W/o flange	Copper	Blue	465-470	<4.0	80	10000	8000	7000
10G4DHCB-H	W/o flange	Copper	Green	520-540	<3.8	80	18000	15000	13000
10R4DHCB-H	W/o flange	Copper	Red	620-630	<2.2	80	8000	7000	6000
10Y4DHCB-H	W/o flange	Copper	Yellow	580-590	<2.2	80	9000	7500	6500

Absolute maximum ratings ($T_a=25^\circ\text{C}$)

Parameter	Symbol	Testing Conditions				Unit
			Min	Typ	Max	
Power Dissipation	P_D	—	—	—	100	mW
Reverse Current	V_R	$I_R \leq 30 \mu\text{A}$	—	—	6.0	V
Working Temperature	T_{OPR}	—	—	—	+70	$^\circ\text{C}$
Soldering Temperature	T_{STG}	—	-40	—	100	$^\circ\text{C}$
Soldering Temperature	T_{SLD}	260 $^\circ\text{C}$ (5 s)				



ROITHNER LASERTECHNIK

A-1040 Vienna, Austria
 Schoenbrunner Strasse 7
 Tel.: +43-1-586 52 43 - 0
 Fax.: +43-1-586 52 43 44
 office@roithner-laser.com
 www.roithner-laser.com