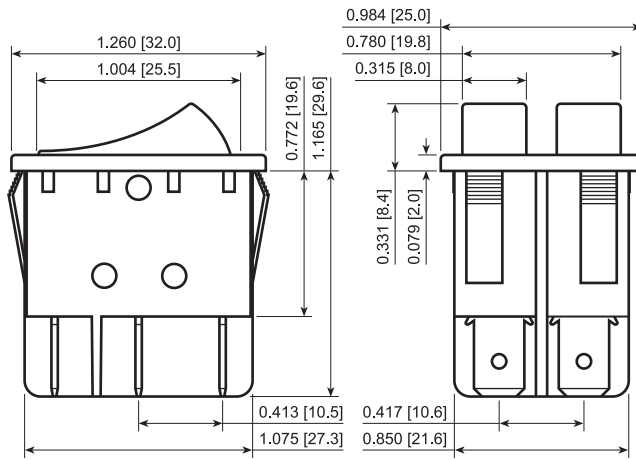


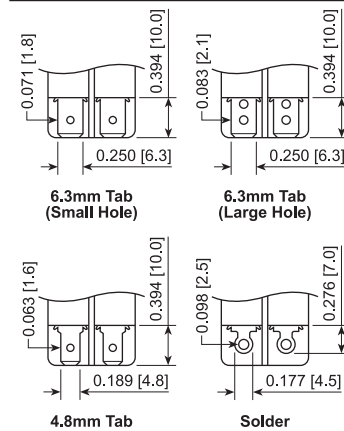
# RB4 Series



ROCKER



### Terminal Options



### FEATURES:

- High Quality and Reliable Switch
- High Ratings
- Industry Standard 22mm x 30mm Cutout
- Illuminated Versions
- Multiple Terminal and Actuator Options
- PVC Cap for Dust and Water Protection

### SPECIFICATIONS:

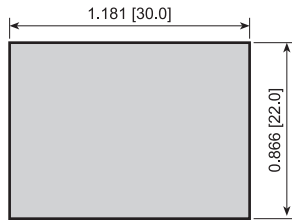
**RATING:** RATING OPTION C:  
 16A 125VAC T85 [UL, cUL]  
 8A 250VAC T85 [UL, cUL]  
 16(4)A 250V~ 1E4 T125 [VDE]

**TEMPERATURE:** -20°C to 85°C Min.  
**ELECTRICAL LIFE:** 10,000 Cycles  
**CONTACT RESISTANCE:** 35mΩ Max.  
**INSULATION RESISTANCE:** 100MΩ Min. at 500VDC  
**DIELECTRIC STRENGTH:** 1,500VAC for 1 Minute  
**INGRESS PROTECTION:** IP54 with PVC Cap

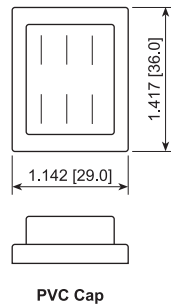
### MATERIALS:

**Body:** Polyamide 6/6, UL94 V-2  
**ACTUATOR:** Polyamide 6/6, UL94 V-2  
 Polycarbonate, UL94 V-2  
**CONTACTS:** Silver Alloy  
**TERMINALS:** Silver Plated Copper

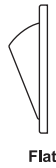
### Panel Cutout



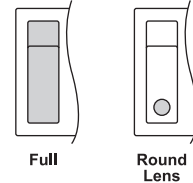
### Water Protection Options



### Actuator Options



### Illumination Options



**RB441C1100**



**RB4B1C1(021-116)+(121)**



**RB4B(1C1211)+(3C1200)**



**RB4B1C1021-116**

Series	Terminal	Function	Rating	Body Color	Actuator Color	Marking Color	Marking Type	Lens Style	Lens Color	Lamp Voltage
RB4 - Curved	1 - 4.8mm Tab	1 - Off-On	C - 16A 125V	1 - Black	0 - Full Illum.	0 - None	0 - None	1 - Full	0 - Clear	3 - 6V
RB4F - Flat	4 - 6.3mm Tab (Small Hole)	3 - On-On		2 - White	1 - Black	1 - I/O Vert.	1 - I/O Vert.	2 - Round	1 - Red	4 - 12V
	5 - Solder	4 - Off-(On)		3 - Almond	2 - White	2 - White	3 - ON/OFF Vert.		2 - Amber	5 - 24V
	B - 6.3mm Tab (Large Hole)	B - On-(On)		4 - Grey	3 - Almond	3 - Red	4 - ON/OFF Horiz.		3 - Green	6 - 125V
				9 - Red	4 - Grey	4 - Grey	R - I/O Horiz.		4 - Blue	7 - 250V
				5 - Orange	5 - Orange	5 - Orange				
				7 - Blue	7 - Blue	7 - Blue				
				8 - Green	8 - Green	8 - Green				
				9 - Red	9 - Red	9 - Red				

Custom Colors and Markings Available Upon Request      For Illuminated Switches Only

Note: The second set of parentheses have the same format as the first set. They only need to be included if the two actuators differ. See the part number examples for details.



Ph: 503-297-8878 • Fax: 503-297-8879

P.O. Box 25110 • Portland, OR 97298 USA • www.lambind.com

**EXAMPLE PART NUMBERS:**  
 RB441C1121      2x1P Off-On  
 Black Body/Actuator, 6.3mm Tab, No Marking

SPECIFICATIONS SUBJECT TO CHANGE WITHOUT NOTICE