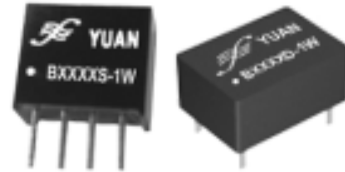


**BXXXXD-1W**
**1KV ISOLATION, 1W OUTPUT, UNREGULATED, DIP 8 PACKAGE, MTBF>1M HOURS**
**Available Inputs:**  
**5, 12, 15 and 24 VDC**
**Available Outputs:**  
**3.3, 5, 9, 12, 15, 18 and 24 VDC**

Other specifications please enquire Sunyuan Technology.


**Electrical Specifications**

(Typical at + 25° C, nominal input voltage, rated output current unless otherwise specified)

**Input Specifications**

 Voltage range +/- 10 %  
 Filter Capacitors

**Isolation Specifications**

 Rated voltage 1000 VDC  
 Leakage current 1 mA  
 Resistance 10<sup>9</sup> Ohm  
 Capacitance 60 pF type.

**Output Specifications**

 Voltage accuracy +/- 5 %, max.  
 Ripple and noise (at 20 MHz BW) 100 mV p-p, max.  
 Short circuit protection Momentary  
 Line voltage regulation +/- 1,2 % / 1,0 % of Vin  
 Load voltage regulation +/- 8 %, load = 20 ~ 100 %  
 Temperature coefficient +/- 0,02 % / °C

**General Specifications**

 Efficiency 75 % to 85 %  
 Switching frequency 80 KHZ, typ.

**Environmental Specifications**

 Operating temperature (ambient) - 40° C to + 85° C  
 Storage temperature - 55 °C to + 125 °C  
 Derating See graph  
 Humidity Up to 90 %, non condensing  
 Cooling Free air convection

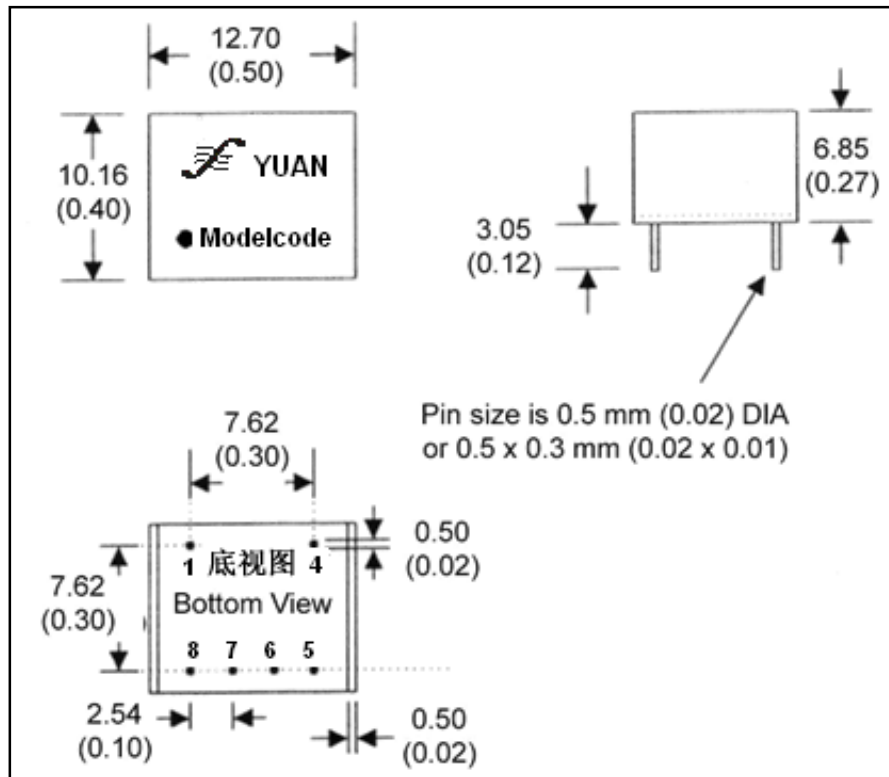
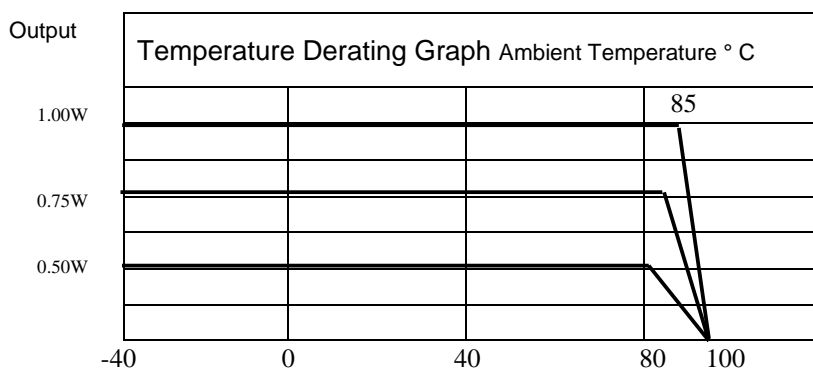
**Physical Characteristics**

 Dimensions DIP 12,70 x 10,16 x 6,85 mm  
 0,50 x 0,40 x 0,27 inches  
 Weight 1,8 g  
 Case material Non conductive black plastic

**Examples of Part Numbers**

| SUNYUAN PARTNO | INPUT VOLTAGE (VDC) | INPUT CURRENT NO LOAD | INPUT CURRENT FULL LOAD | OUTPUT VOLTAGE (VDC) | OUTPUT CURRENT (max. mA) | EFFICIENCY FULL LOAD (% TYPE.) |
|----------------|---------------------|-----------------------|-------------------------|----------------------|--------------------------|--------------------------------|
| B0503D-1W      | 5                   | 14                    | 363                     | 3.3                  | 303                      | 72                             |
| B0505D-1W      | 5                   | 16                    | 266                     | 5                    | 200                      | 75                             |
| B0512D-1W      | 5                   | 18                    | 254                     | 12                   | 84                       | 70                             |
| B1205D-1W      | 12                  | 11                    | 119                     | 5                    | 200                      | 70                             |
| B1212D-1W      | 12                  | 10                    | 104                     | 12                   | 84                       | 80                             |
| B1215D-1W      | 12                  | 15                    | 107                     | 15                   | 68                       | 78                             |
| B2405D-1W      | 24                  | 5                     | 55                      | 5                    | 200                      | 75                             |
| B2412D-1W      | 24                  | 7                     | 54                      | 12                   | 84                       | 77                             |
| B2415D-1W      | 24                  | 8                     | 55                      | 15                   | 76                       | 76                             |

**BXXXXD-1W**  
**1KV ISOLATION, 1W OUTPUT, UNREGULATED, DIP 8 PACKAGE, MTBF>1M HOURS**

**Dimensions**

**Derating Graph and Pinning**


| Pin | Connection |                  |         |
|-----|------------|------------------|---------|
| 1   | -          | V <sub>in</sub>  | Input   |
| 2   |            |                  | Omitted |
| 3   |            |                  | Omitted |
| 4   | +          | V <sub>in</sub>  | Input   |
| 5   | +          | V <sub>out</sub> | Output  |
| 6   |            |                  | Omitted |
| 7   | 0          | V <sub>out</sub> | Output  |
| 8   |            |                  | Omitted |

- Specification may be changed without any notification.
- © Copyright 2004, Sunyuan Technology. All Right Reserved.  
 TEL : 86-755-83100080 13903024062 FAX : 86-755-83116652  
 Website: [www.sun-yuan.com](http://www.sun-yuan.com) E-mail: [sy@sun-yuan.com](mailto:sy@sun-yuan.com)  
 Website: [www.sunyuan.com.cn](http://www.sunyuan.com.cn) E-mail: [szsy@sunyuan.com.cn](mailto:szsy@sunyuan.com.cn)

