

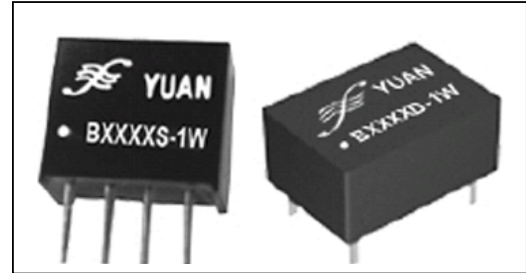
**Available Inputs**

5, 12, 15, 24 VDC

**Available Outputs**

3.3, 5, 9, 12, 15, 18, 24 VDC

Other specifications please enquire Sunyuan Technology


**Electrical Specifications**

(Typical at + 25° C, nominal input voltage, rated output current unless otherwise specified)

**Input Specifications**

Voltage range	+/- 10 %
Filter	Tantalum capacitance

**Isolation Specifications**

Rated voltage	1000 VDC
Leakage current	1 mA
Resistance	10 <sup>9</sup> Ohm
Capacitance	60 pF type.

**Output Specifications**

Voltage accuracy	+/- 5 %, max.
Ripple and noise (at 20 MHz BW)	100mV p-p, max.
Short circuit protection	immediately (<1s)
Line voltage regulation	+/- 1,2 % / 1,0 % of Vin
Load voltage regulation	+/- 8 %, load = 20 ~ 100 %
Temperature coefficient	+/- 0,02 % / ° C

**General Specifications**

Efficiency	75 % to 85 %
Switching frequency	125KHz, type.

**Environmental Specifications**

Operating temperature (ambient)	- 40°C to + 85°C
Storage temperature	- 55 °C to + 125 °C
Derating	See graph
Humidity	≤ 90 %, non condensing
Cooling	Free air convection

**Physical Characteristics**

Dimensions SIP	11.68 x 6,00 x 10,16 mm 0,46 x 0,24 x 0,40 inch
----------------	--

**Weight**

2.8 g

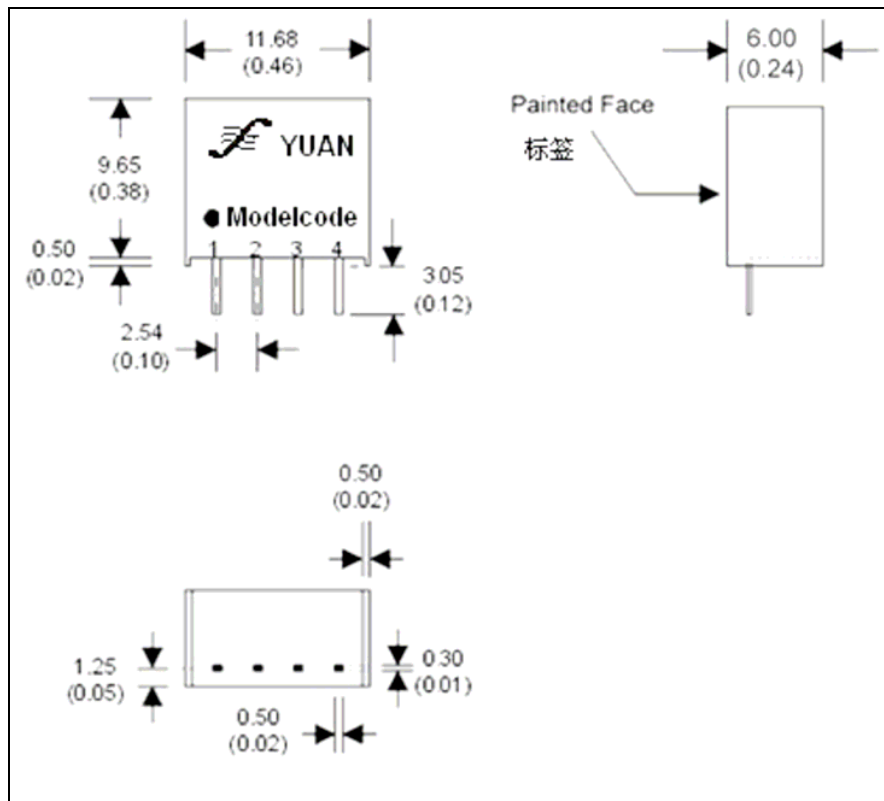
**Case material**

Non conductive black plastic

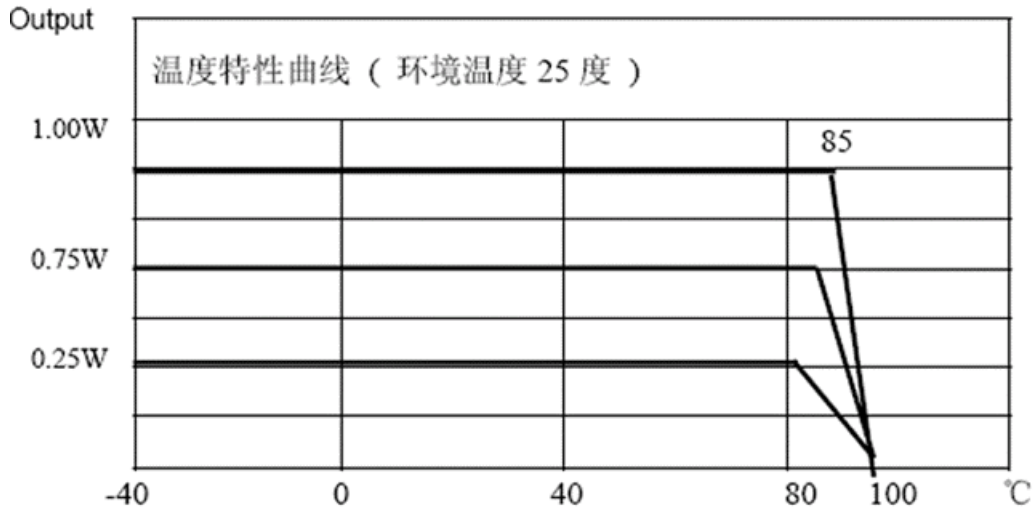
### Examples of Part numbers

SUNYUAN PART NO	INPUT VOLTAGE (VDC)	INPUT CURRENT (NO LOAD)	INPUT CURRENT (FULL LOAD)	OUTPUT VOLTAGE (VDC)	OUTPUT CURRENT (MAX)	EFFICIENCY
B0503S-W2	5	7	90	3.3	75	72
B0505S-W2	5	7	80	5	50	75
B0512S-W2	5	7	80	12	35	74
B1205S-W2	12	7	30	5	50	74
B1212S-W2	12	7	30	12	21	80
B1215S-W2	12	7	30	15	17	78
B2405S-W2	24	7	20	5	50	75
B2412S-W2	24	7	20	12	21	77
B2415S-W2	24	8	20	15	17	76

### Dimension



## Temperature Graph and Pinning



Pin	Function description		
1	-	V <sub>in</sub>	Negative Input
2	+	V <sub>in</sub>	Positive input
3	-	V <sub>out</sub>	Negative Output
4	+	V <sub>out</sub>	Positive output

\* Specification can be changed without notice.

Shenzhen Sun Yuan Technology Co., LTD

TEL: 86- 0755-83100080 83100110 83150723

FAX: 86-0755-83116652

[www.sun-yuan.com](http://www.sun-yuan.com)

E-mail: [szsy@sunyuan.com.com](mailto:szsy@sunyuan.com.com)

[www.sunyuan.com.cn](http://www.sunyuan.com.cn)