

0.5 - 1.0 AMPERES SMALL SIGNAL SURFACE MOUNTS

SCHOTTKY BARRIER RECTIFIERS

VOLTAGE : 20 to 30 Volts

CURRENT : 0.5 Amperes – Super Low Vf

FEATURES

- Low Forward Voltage Drop
- Low reverse leakage current
- Guard ring for over voltage protection
- Small plastic SMD package
- Lead Free/ROHS Compliant
-



MECHANICAL DATA

Case : SOD-123, SOD-323 plastic case

Polarity : As Mark

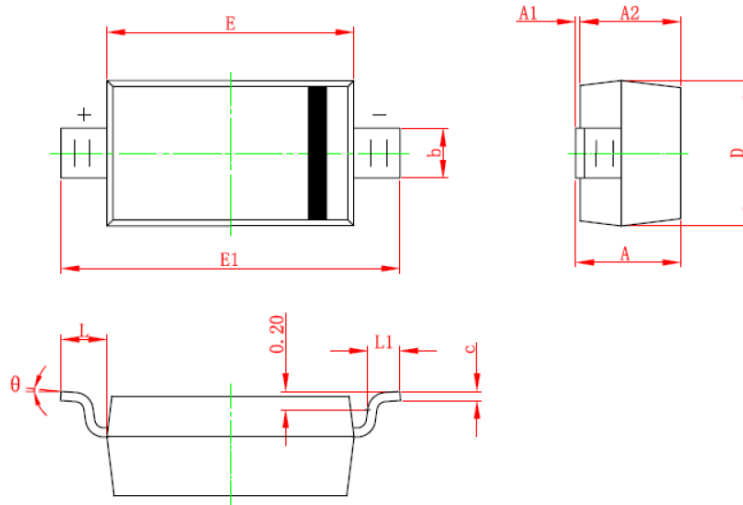
Mounting Position : Any

MAXIMUM RATINGS AND ELECTRICAL CHARACTERISTICS

Rating at 25°C ambient temperature unless otherwise specified. Single phase, half wave, 60HZ, resistive or inductive load.
For capacitive load, derate current by 20%.

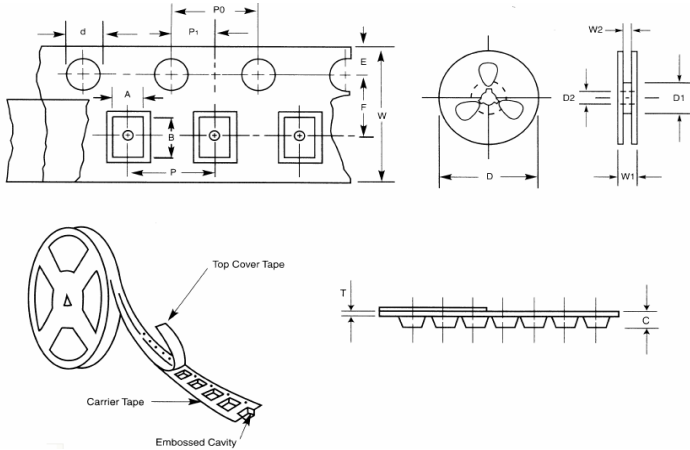
Marking Information :	SOD-123		B0520LLW		B0530LLW		B120LLW		B130LLW		UNITS	
	SOD-323		B0520LLWS		B0530LLWS		B120LLWS		B130LLWS			
	Marking		R2		R3		R1		R5			
Maximum Recurrent Peak Reverse Voltage	V_{RRM}		20		30		20		30		V	
Working Peak Reverse Voltage	V_{RWM}		20		30		20		30		V	
Maximum DC Blocking Voltage	V_{DC}		20		30		20		30		V	
Maximum Average Forward Current	$I_{F(AV)}$		0.5				1.0				A	
Peak Forward Surge Current 10ms single half sine-wave superimposed on rated load (JEDEC Method) per leg	I_{FSM}		30									A
Operating Junction Temperature Range	T_J		-55 to +125									°C
Storage Temperature Range	T_{STG}		-55 to +125									°C
Maximum Forward Voltage per leg (At $I_F=5A$, $T_J=25^\circ C$)	V_F		0.32				0.32				V	
Maximum DC Reverse Current at Rated DC Blocking Voltage	I_R		$T_J=25^\circ C$ 1.0				$T_J=25^\circ C$ 1.5				mA	
Typical Thermal Resistance	$R_{\theta JC}$		SOD-123 304								°C/W	
			SOD-323 500									

Outline



Package	SOD-123				SOD-323			
	Dimensions In Millimeters		Dimensions In Inches		Dimensions In Millimeters		Dimensions In Inches	
	Min	Max	Min	Max	Min	Max	Min	Max
A	1.05	1.25	0.041	0.049		1.0		0.039
A1	0.00	0.10	0.000	0.004	0.00	0.10	0.00	0.004
A2	1.05	1.15	0.041	0.045	0.80	0.90	0.031	0.035
b	0.45	0.65	0.018	0.026	0.25	0.35	0.010	0.014
c	0.08	0.15	0.003	0.006	0.08	0.15	0.003	0.006
D	1.50	1.70	0.059	0.067	1.20	1.4	0.047	0.055
E	2.60	2.80	0.102	0.110	1.60	1.8	0.063	0.071
E1	3.55	3.85	0.140	0.152	2.50	2.7	0.098	0.106
L	0.500REF		0.020REF		0.475REF		0.019REF	
L1	0.25	0.45	0.010	0.018	0.25	0.40	0.010	0.016
θ	0°	8°	0°	8°	0°	8°	0°	8°

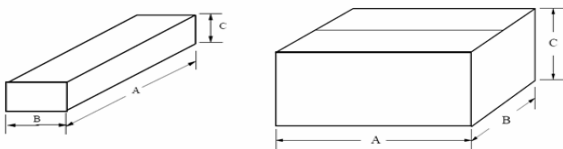
Reel Taping Specification For Surface Mount Devices



Reel Dimensions

Item	Symbol	SOD-123	SOD-323
Carrier width	A	1.85±0.1	1.52±0.1
Carrier length	B	3.94±0.1	2.90±0.1
Carrier depth	C	1.57±0.1	1.35±0.1
Sprocket hole	d	1.50±0.1	1.50±0.1
Reel outside diameter	D	178±1.0	178±1.0
Reel inner diameter	D1	54.4±2.4	54.4±2.4
Feed hole diameter	D2	13.0±0.2	13.0±0.2
Sprocket hole position	E	1.75±0.1	1.75±0.1
Punch hole position	F	3.5±0.05	3.5±0.05
Punch hole pitch	P	4.0±0.1	4.0±0.1
Sprocket hole pitch	Po	4.0±0.1	4.0±0.1
Embossment center	P1	2.0±0.05	2.0±0.05
Overall tape thickness	T	0.2±0.02	0.254±0.013
Tape width	W	8+0.2-0.1	8+0.2-0.1
Reel width	W1	12.3±1.0	12.3±1.0
Reed width	W2	9.5±0.1.0	9.5±0.1.0

Packaging Specification



Dimension	Reel	Inner Box (mm)				Carton (mm)			
		QTY	A	B	C	QTY	A	B	C
SOD-123	3,000	30,000	303	303	195	130,000	438	438	230
SOD-323	3,000	30,000	303	303	195	130,000	438	438	230