

## 2 AMPERES SCHOTTKY BARRIER RECTIFIERS 【SK2XB Series】

**VOLTAGE : 20 to 100 Volts**

**CURRENT : 2 Amperes**

### FEATURES

Plastic Package Has Underwriters Laboratory Flammability Classification 94V-0 Metal Silicon Junction.

- Low Profile Surface Mount Package
- Built-In Strain Relief
- Low Power Loss, High Efficiency
- Guarding For Over voltage Protection
- For Use In Low Voltage, High Frequency Inverters, Free Wheeling, And Polarity Protection Applications

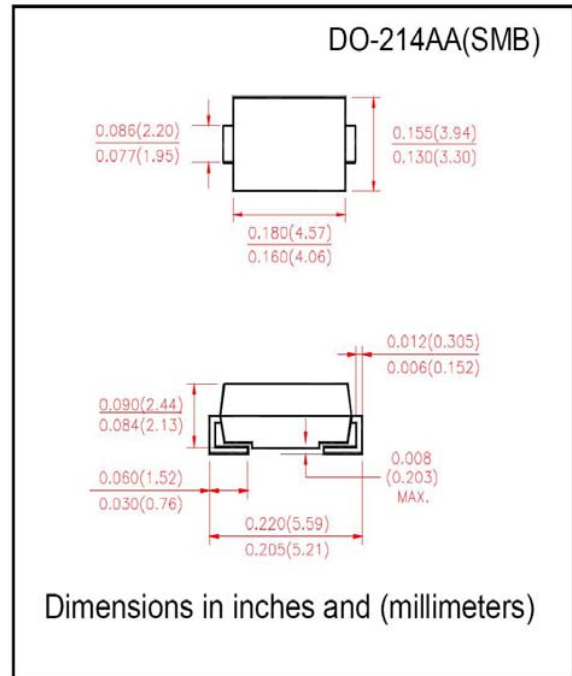
### MECHANICAL DATA

**Case :** SMB Molded Plastic Body

**Terminals :** Lead Solderable Per MIL-STD-750, Method 2026

**Polarity :** Color Band Denotes Cathode End

**Weight :** 0.003 ounce, 0.093 gram



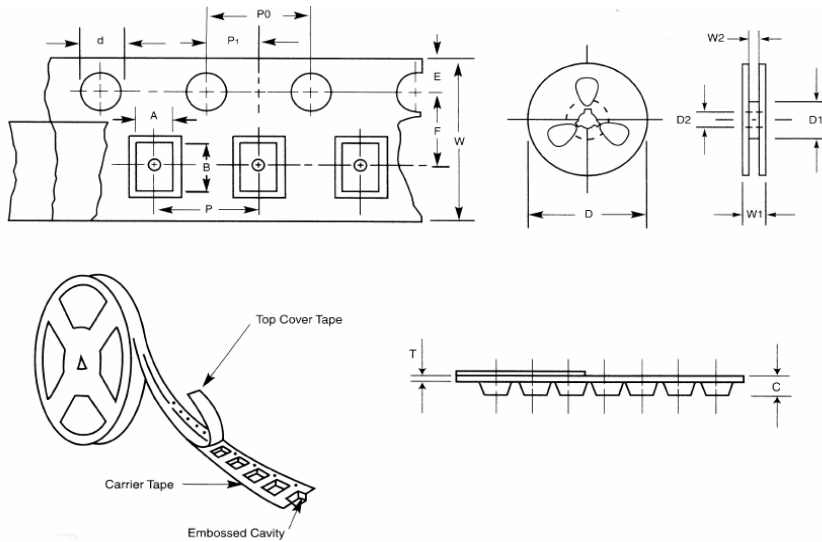
### MAXIMUM RATINGS AND ELECTRICAL CHARACTERISTICS

Rating at 25°C ambient temperature unless otherwise specified. Single phase, half wave, 60HZ, resistive or inductive load.

For capacitive load, derate current by 20%.

Parameter	Symbol	SK22B	SK24B	SK26B	SK28B	SK210B	UNITS
Maximum Recurrent Peak Reverse Voltage	V <sub>RRM</sub>	20	40	60	80	100	V
Working Peak Reverse Voltage	V <sub>RWM</sub>	20	40	60	80	100	V
Maximum DC Blocking Voltage	V <sub>DC</sub>	20	40	60	80	100	V
Maximum Average Forward Current	I <sub>F(AV)</sub>	2.0					A
Peak Forward Surge Current 8.3ms single half sine-wave superimposed on rated load (JEDEC Method) per leg	I <sub>FSM</sub>	50					A
Operating Junction Temperature Range	T <sub>J</sub>	-55 to +125					°C
Storage Temperature Range	T <sub>STG</sub>	-55 to +125					°C
Maximum Forward Voltage per leg (T <sub>J</sub> =25°C)	V <sub>F</sub>	0.50	0.52	0.70	0.81	0.81	V
Maximum DC Reverse Current at Rated DC Blocking Voltage(AT VR=VRRM)	T <sub>J</sub> =25°C	0.5					mA
	T <sub>J</sub> =125°C	20					
Typical Junction Capacitance	C <sub>J</sub>	75					PF
Typical Thermal Resistance	RθJC	15					°C/W

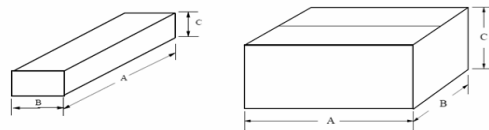
## Reel Taping Specification For Surface Mount Devices



### Reel Dimensions

Item	Symbol	SMB
Carrier width	A	4.0 (max)
Carrier length	B	5.9 (max)
Carrier depth	C	3.0 (max)
Sprocket hole	d	1.5±0.1 DIA
Reel outside diameter	D	178±2.0 / 330±2
Reel inner diameter	D1	50 min
Feed hole diameter	D2	13.5±1
Sprocket hole position	E	1.75±0.1
Punch hole position	F	5.5±0.05
Punch hole pitch	P	8.0±0.1
Sprocket hole pitch	Po	4.0±0.1
Embossment center	P1	2.0±0.05
Overall tape thickness	T	0.6 max
Tape width	W	12.0±0.3
Reel width	W1	18.4 (max)
Reed width	W2	14.4 (max)

### Packaging Specification



Device Type	Reel (EA)	Reel Dia(mm)	Carton Size(mm)	Carton (EA)	Approx. Gross Weight (KG)
SMB-7"	750	178	380 x 230 x 370	30,000	8.0
SMB-13"	3,000	330	380 x 230 x 370	30,000	9.0