

**SM535-1 ADSL Line Transformers**



**Features**

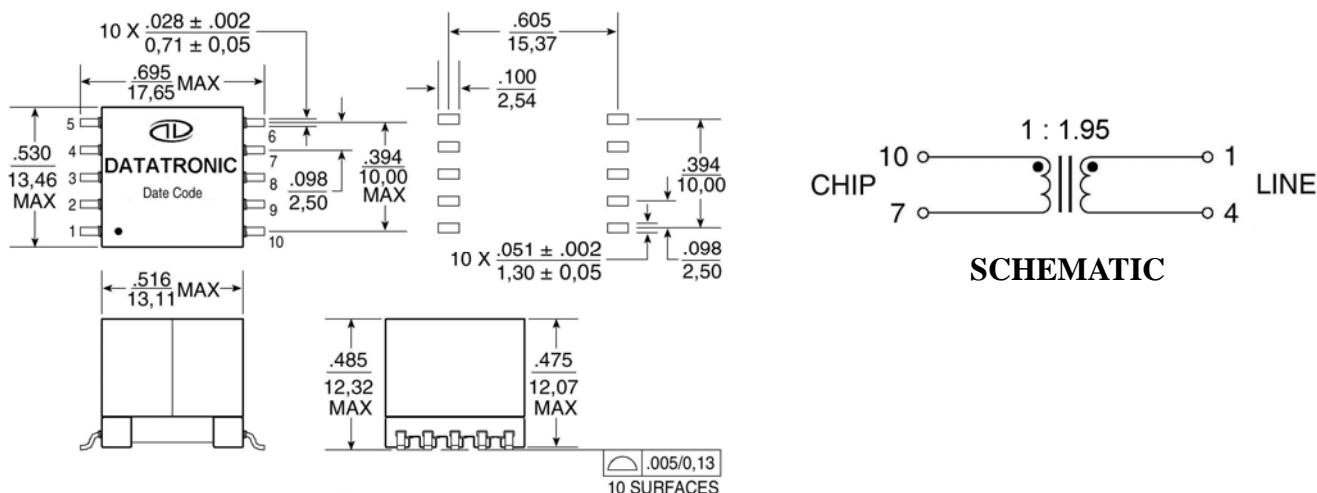
- For use with Texas Instrument's TNET D 4000 C/P chipset
- Excellent Total Harmonic Distortion (THD) Performance
- SMT and Small size package
- Designed to meet IEC1950

**ELECTRICAL SPECIFICATIONS AT 25°C:**

**OPERATING TEMP: -40°C to +85°C**

TURNS RATIO (10-7):(1-4) OCL @10kHz, 0.1V (1-4) WITH (2-3) SHORTED LEAKAGE INDUCTANCE @10kHz 0.1V (1-4) WITH (10-7) SHORTED INTERWINDING CAPACITANCE @10kHz, 0.1V (1-10) ISOLATION VOLTAGE (MAX) DC RESISTANCE (1-4) WITH (2-3) SHORTED APPLICATION	1 : 1.95±2% (CHIP TO LINE) 1.5mH±10% 12.0µH MAX 35pF MAX 1500 Vrms 2.0Ω MAX CO
---	--

**OUTLINE DIMENSIONS**



**NOTES:**

1. Dimensions are shown in inches/millimeters  
Unless otherwise specified, tolerance = Inches: ±0.010  
= Millimeters: ±0,25
2. For non-RoHS parts replace SM prefix with 42- (e.g. SM535-1 becomes 42-535-1)
3. Terminal finish is compliant to RoHS requirements. Solder in accordance with J-STD-020C.

**DATATRONIC:** 28151 Highway 74, Romoland, CA 92858 Tel: 951-928-7700 Toll Free 888-889-5391 Fax: 951-928-7701  
Email: ddisales@datatronics.com  
499 King's Road, Hong Kong Tel: (852) 2562 3858, (852) 2564 8477 Fax: (852) 2565 7214, (852) 2563 1290  
All specifications are subject to change without notice.