

## Features

- IEEE802 3af/ANSI X3.263
- RoHS compliant\*

## Applications

- VoIP
- PoE

# SM51523L 10/100 Base Tx VoIP Modules (Power over Ethernet - PoE)

### Electrical Specifications

Inductance - Open Circuit.. 350  $\mu$ H min.  
 (100 KHz, 0.1 V with 8 mA DC bias)  
 DC Resistance Balance.....  $\leq 3.5\%$   
 Turns Ratio .... TX 1CT : 1; RX 1CT : 1CT  
 Insertion Loss  
 ..... 1-100 MHz, -1.1 dB max.  
 Return Loss (@ 100 ohms)  
 1-30 MHz ..... -16 dB min.  
 40 MHz..... -14 dB min.  
 50 MHz..... -13 dB min.  
 60-80 MHz ..... -12 dB min.  
 Cross Talk  
 60 MHz..... -37 dB min.  
 100 MHz..... -33 dB min.  
 DCMRR  
 30 MHz..... -43 dB min.  
 60 MHz..... -37 dB min.  
 100 MHz..... -33 dB min.  
 Isolation ..... 1500 VAC  
 Operating Temperature  
 ..... -40  $^{\circ}$ C to +85  $^{\circ}$ C

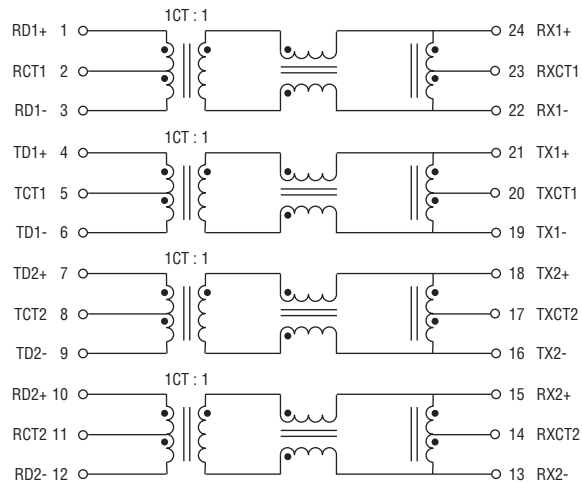
### Packaging Specifications

Tape & Reel ..... 400 pcs./reel

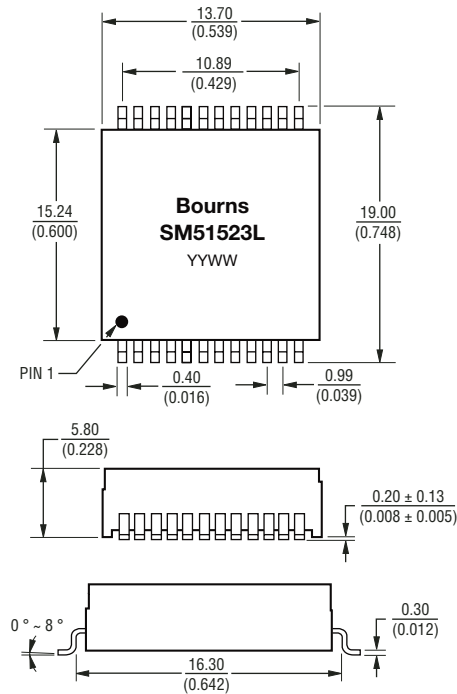
### How To Order

Model SM51523E L  
 Termination \_\_\_\_\_  
 L = Tin only (lead free)

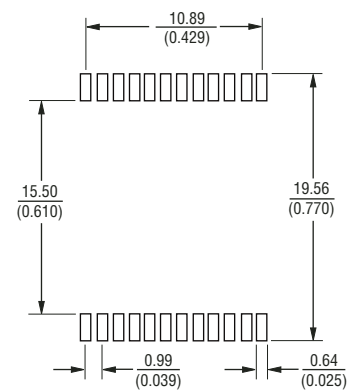
### Electrical Schematic



### Product Dimensions



### Recommended Layout



DIMENSIONS:  $\frac{\text{MM}}{\text{(INCHES)}}$

REV. 09/08

\*RoHS Directive 2002/95/EC Jan 27 2003 including Annex.  
 Specifications are subject to change without notice.  
 Customers should verify actual device performance in their specific applications