

FEATURES

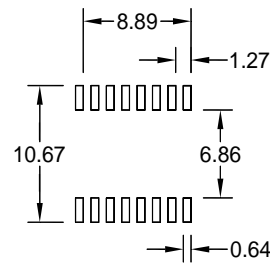
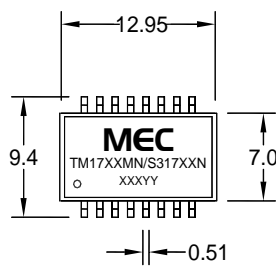
- Meets IEEE 802.3 and ANSI X3.263 standards, Including 350 uH OCL with 8 mA bias
- Designed for reflow soldering at temperatures Up to 255-265°C
- Isolation Voltage : 1500 Vrms



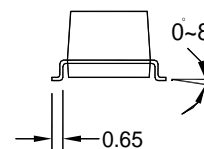
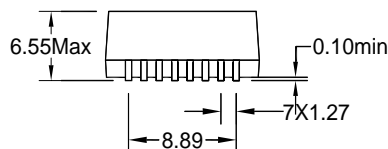
Part Number	Turns Ratio Pri:Sec(± 3%)		Insertion Loss (dB MAX)	Return Loss (dB TYP)			Crosstalk (dB TYP)			Differential to Common Mode Rejection (dB TYP)			Common to common Rejection Ratio (dB TYP)
	TX	RX		0.1~100 MHz	30 MHz	60 MHz	80 MHz	30 MHz	60 MHz	100 MHz	30 MHz	50 MHz	
S31703N	1:1	1:1	-1.0	-18	-15	-12	-45	-40	-35	-40	-35	-30	-30
S31704N	1:1	1:1	-1.1	-16	-12	-10	-45	-40	-38	-45	-45	-35	-30
S31706N	1:1	1:1	-1.0	-18	-13	-12	-45	-40	-38	-40	-35	-30	-40
S31707N	1:1	1:1	-1.0	-18	-12	-10	-45	-40	-38	-40	-35	-30	-35
S31720N	1:1	1:1	-1.1	-18	-13	-12	-45	-40	-35	-42	-37	-33	-30
S31723N	1:1	1:1	-1.0	-18	-15	-12	-45	-42	-38	-40	-35	-30	-40
S31728N	1:1	1:1	-1.2	-16	-12	-10	-45	-40	-35	-40	-35	-30	-30
S31732N	1:1	1:1	-1.0	-18	-12	-10	-42	-40	-38	-42	-37	-33	-35
S31736N	1:1	1:1	-1.1	-18	-12	-11	-40	-38	-35	-40	-35	-30	-30
S31750N	1:1	1:1	-1.0	-16	-14	-10	-42	-40	-38	-45	-45	-35	-35
S31752N	1.414:11.414:1		-1.4	-18	-15	-10	-45	-40	-35	-40	-35	-30	-30
S31761N	1:1	1:1	-1.0	-18	-14.5	-12	-40	-38	-35	-40	-35	-30	-30
S31782N	1:1	1:1	-1.15	-18	-13.6	-12	-45	-45	-35	-40	-35	-30	-30
S31785N	1:1	1:1	-1.1	-18	-13	-12	-45	-40	-35	-42	-37	-33	-35
S31786N	1:1	1:1	-1.1	-18	-13	-12	-45	-40	-35	-42	-37	-33	-30
S31789N	1:1	1:1	-1.1	-18	-13	-12	-45	-40	-35	-42	-37	-33	-30

- Electrical Specifications @25°C-Operating Temperature 0°C to 70°C.

Mechanicals



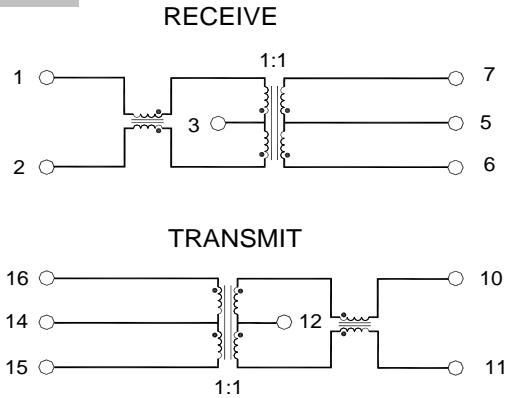
SUGGESTED PAD LAYOUT



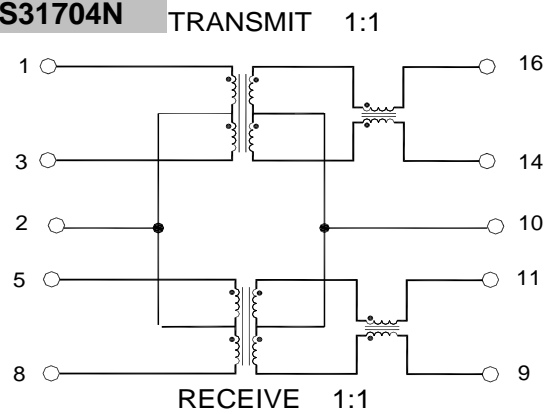
Dimensions : mm Unless otherwise specified . all tolerances are ± 0.25

Schematics

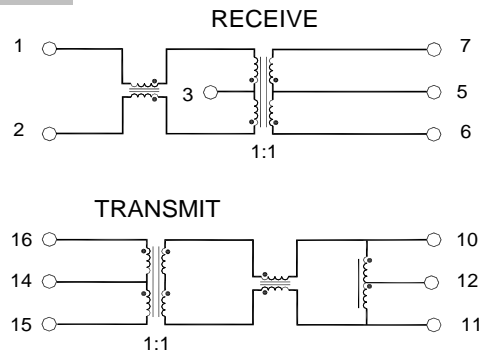
S31703N



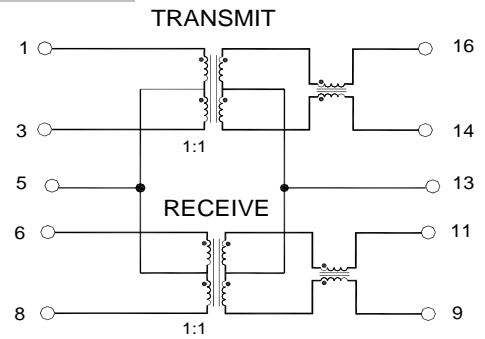
S31704N



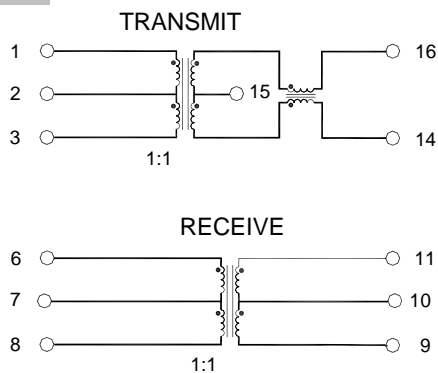
S31706N



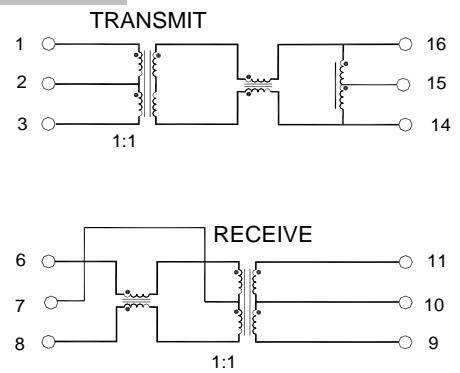
S31707N



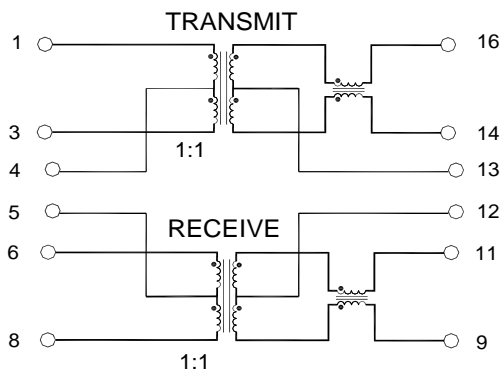
S31720N



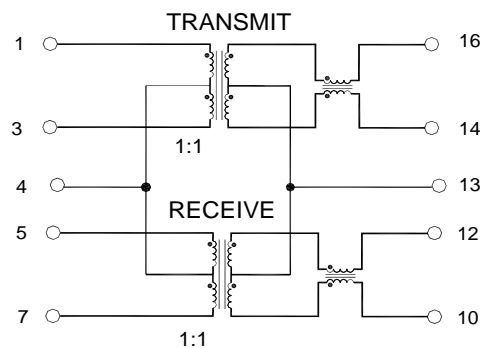
S31723N



S31728N

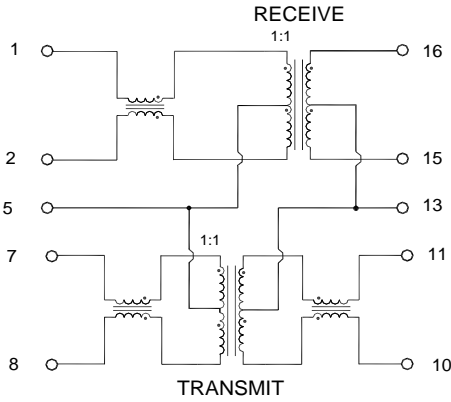


S31732N

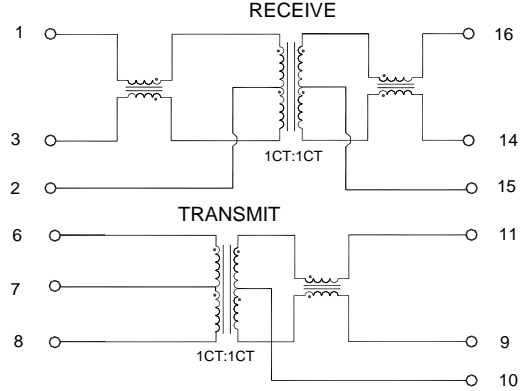


Schematics

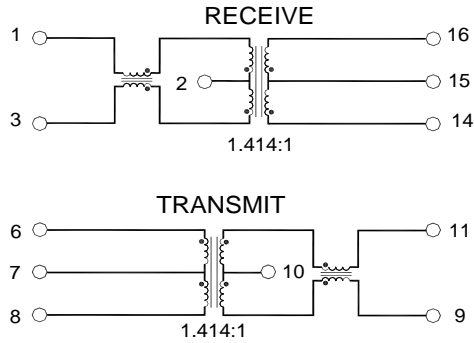
S31736N



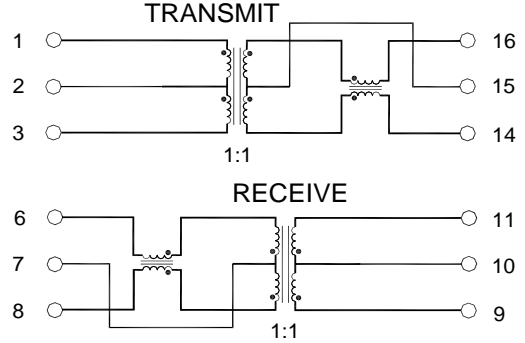
S31750N



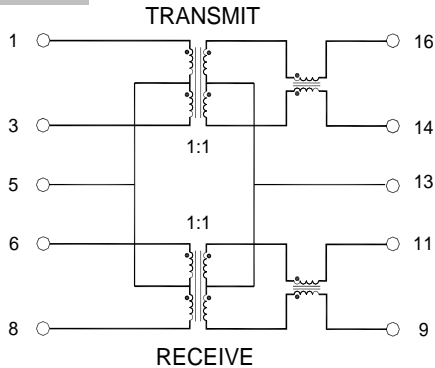
S31752N



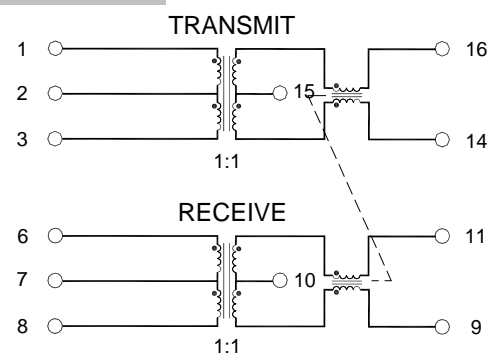
S31761N



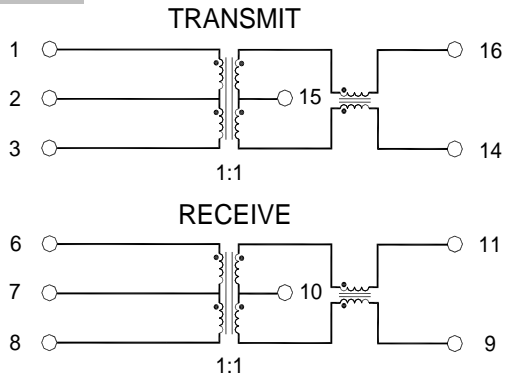
S31782N



S31785N



S31786N



S31789N

