

FEATURES

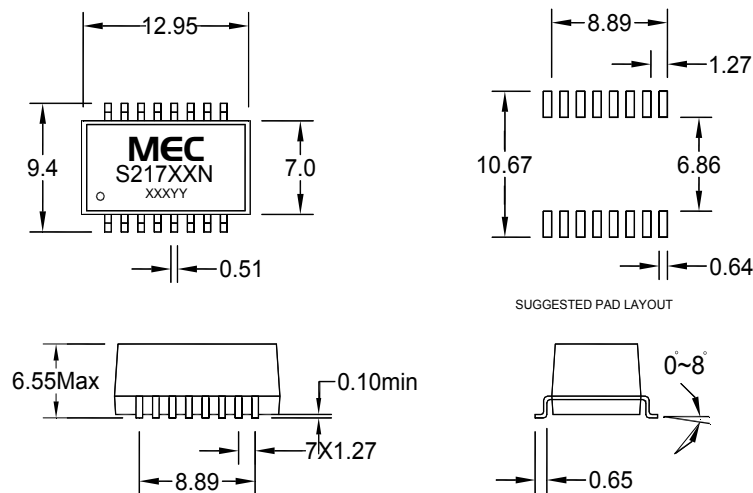
- Designed to meet or exceed IEE802.3 10Base-T specifications
- Available with common mode chokes for EMI Suppression
- Surface mount, IC grade transfer-molded Package withstands 255-265 °C peak temperature profile
- Isolation Voltage : 1500 Vrms



Part Number	Turns Ratio Pri:Sec(± 3%)		OCL Pri (μH MIN)	CWW Pri to sec (pF MAX)	LL Pris' Sec (μH MAX)	DCR Pri (Ω MAX)
	TX	RX	100 kHz0.1v	100 kHz0.1v	100 kHz0.1v	
S21702N	1:1	1:25	200	15	0.5	0.5
S21705N	1:1	1:1	100	10	0.2	0.35
S21712N	1:1	1:25	200/35	15	0.4/0.12	0.5/0.3
S21718N	1:1	1:25	200	15	0.5	0.4
S21719N	1:1	1:2	200/35	15	0.4	0.5
S21725N	1:1	1:2	200/50	14	0.5	0.6
S21726N	1:2	1:1	200	12	0.3	1.0
S21733N	1:1	1:1	140	12	0.2	0.4
S21734N	1:1	1:1	200	10	0.2	0.3
S21735N	1:1	1:25	350	30	0.8	0.6
S21737N	1:2	1:1	140	12	0.25	0.6
S21748N	1:1414	1:1	140	15	0.2	0.5

- Electrical Specifications @25°C -Operating Temperature 0°C to 70°C.

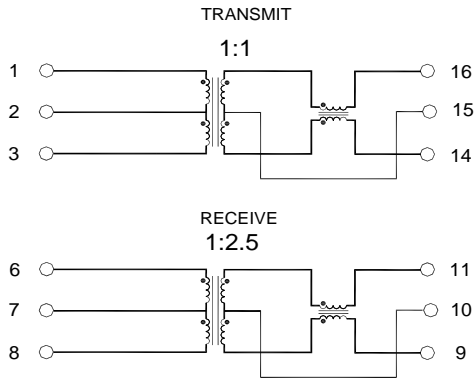
Mechanicals



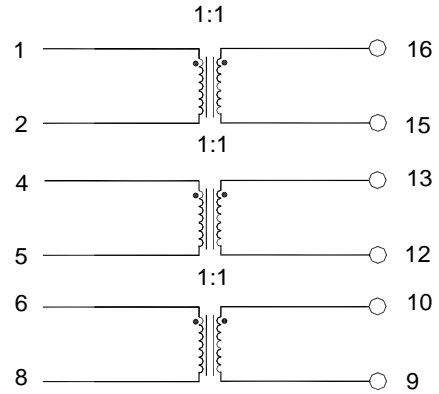
Dimensions : mm Unless otherwise specified . all tolerances are ± 0.25

Schematics

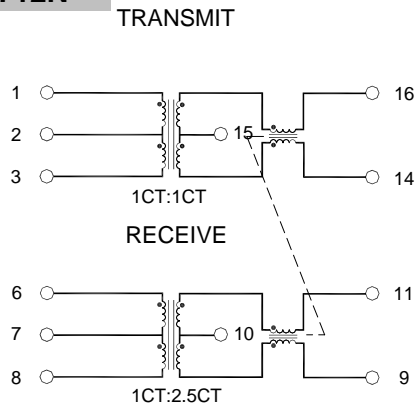
S21702N



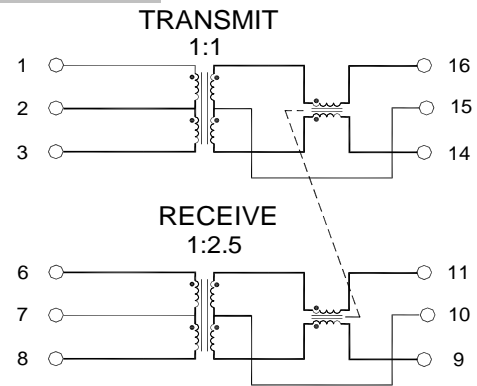
S21705N



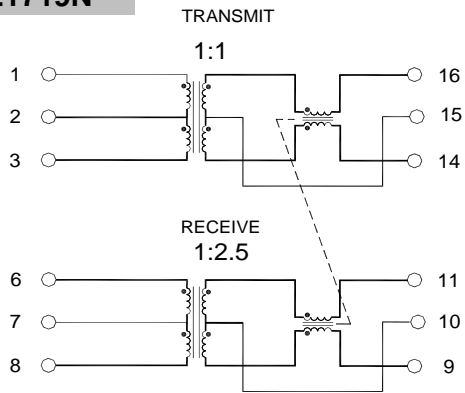
S21712N



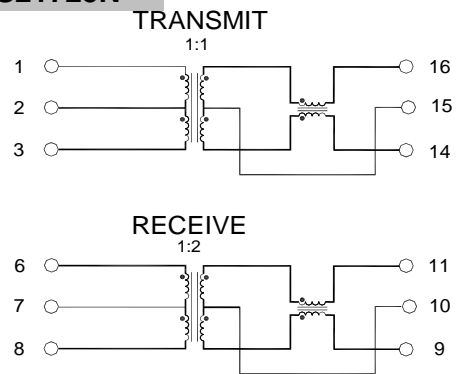
S21718N



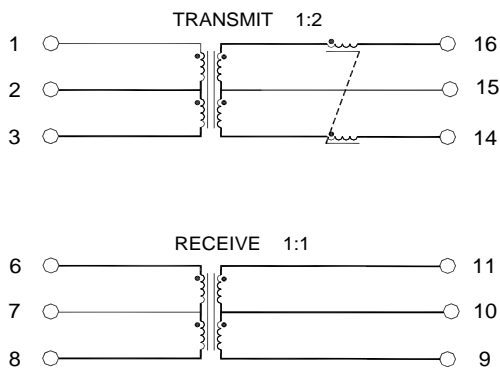
S21719N



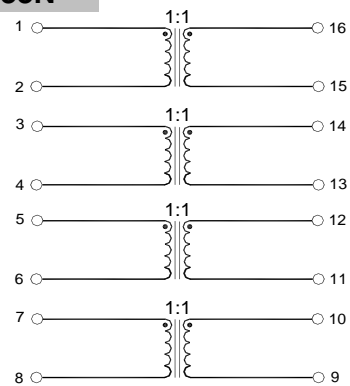
S21725N



S21726N

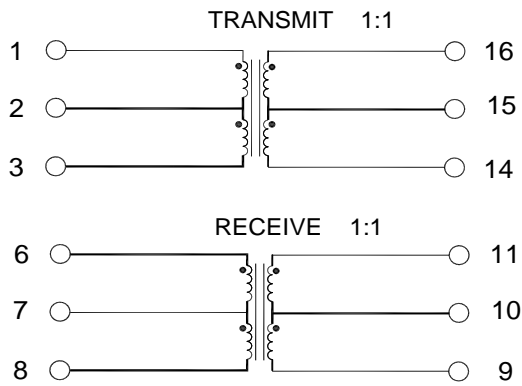


S21733N

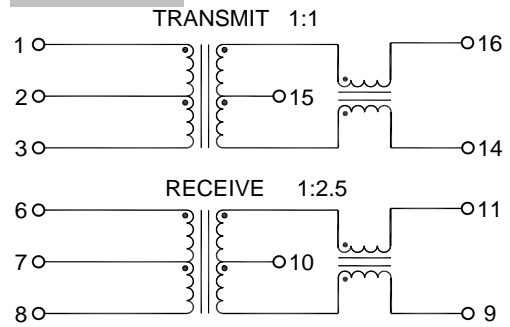


Schematics

S21734N

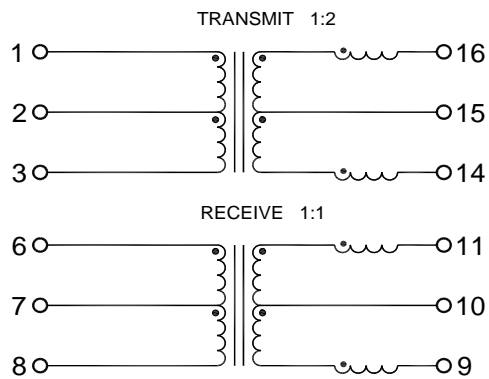


S21735N



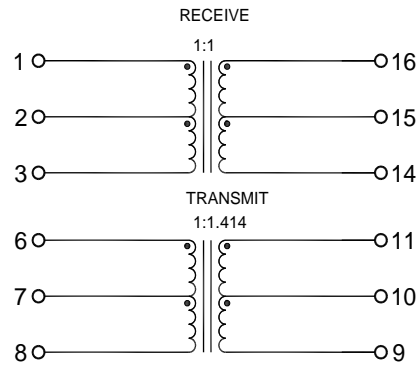
PINS 4,5,12 AND 13 NOT CONNECTED.

S21737N



PINS 4,5,12 AND 13 NOT CONNECTED.

S21748N



PINS 4,5,12 AND 13 NOT CONNECTED.