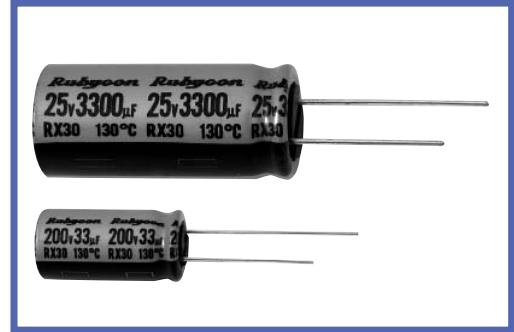


RX30 SERIES

Load Life : 130°C 1000~4000hours.

◆FEATURES

- For Electronic Ballast of CFL, For Power Supply.
- RoHs compliance



◆SPECIFICATIONS

| Items | Characteristics | | | | | | | | | |
|---|--|--|-----------------------------------|----------------|-----------|------------|------|---|---|---|
| Category Temperature Range | -40~+130°C | -25~+130°C | | | | | | | | |
| Rated Voltage Range | 10~100V.DC | 200,400V.DC | | | | | | | | |
| Capacitance Tolerance | ±20% (20°C, 120Hz) | | | | | | | | | |
| Leakage Current(MAX) | I=0.01CV or 3 µA whichever is greater. (After 2 minutes application of rated voltage) | CV ≤ 1000 | | | | | | | | |
| | | CV > 1000 | | | | | | | | |
| | | I=0.1CV+40 µA (1 minute) I=0.03CV+15 µA (5 minutes) | | | | | | | | |
| | | I=0.04CV+100 µA (1 minute) I=0.02CV+25 µA (5 minutes) | | | | | | | | |
| | I=Leakage Current(µA) C=Rated Capacitance(µF) V=Rated Voltage(V) | | | | | | | | | |
| (tanδ) Dissipation Factor(MAX) | Rated Voltage(V) 10 16 25 35 50 63 100 200 400 (20°C, 120Hz) | | | | | | | | | |
| | tan δ 0.20 0.16 0.14 0.12 0.10 0.09 0.08 0.15 0.20 | | | | | | | | | |
| | When rated capacitance is over 1000 µF, tan δ shall be added 0.02 to the listed value with increase of every 1000 µF. | | | | | | | | | |
| Endurance | After life test with rated ripple current at conditions stated in the table below, the capacitors shall meet the following requirements. | | | | | | | | | |
| | | 10~100WV | 200,400WV | Case Size | | | | | | |
| | Capacitance Change | Within ±30% of the initial value. | Within ±20% of the initial value. | Life Time(hrs) | | | | | | |
| | | | | 10~100WV | 200,400WV | | | | | |
| Dissipation Factor | Not more than 300% of the specified value. | Not more than 200% of the specified value. | φ D=6.3 | - | 1000 | | | | | |
| | | | φ D=8, 10 | 2000 | 2000 | | | | | |
| Leakage Current | Not more than the specified value. | | | | | φ D ≥ 12.5 | 4000 | | | |
| | | | | | | - | | | | |
| Low Temperature Stability Impedance Ratio(MAX) | Rated Voltage(V) 10 16 25 35 50 63 100 200 400 (120Hz) | | | | | | | | | |
| | Z(-25°C)/Z(20°C) | | 3 | 2 | 2 | 2 | 2 | 2 | 3 | 6 |
| | Z(-40°C)/Z(20°C) | | 6 | 4 | 3 | 3 | 3 | 3 | - | - |

◆MULTIPLIER FOR RIPPLE CURRENT

Frequency coefficient

10WV~100WV

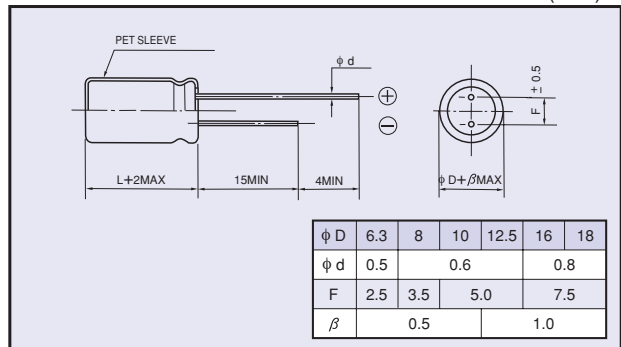
| Frequency (Hz) | | 60(50) | 120 | 1k | 10k | 100k ≤ |
|----------------|-------------|--------|------|------|------|--------|
| Coefficient | 1~4.7 µF | 0.35 | 0.42 | 0.60 | 0.80 | 1.00 |
| | 10~33 µF | 0.45 | 0.55 | 0.75 | 0.90 | 1.00 |
| | 47~330 µF | 0.60 | 0.70 | 0.85 | 0.95 | 1.00 |
| | 470~1500µF | 0.65 | 0.75 | 0.90 | 0.98 | 1.00 |
| | 2200~4700µF | 0.75 | 0.80 | 0.95 | 1.00 | 1.00 |

200WV,400WV

| Frequency (Hz) | | 120 | 1k | 10k | 100k ≤ |
|----------------|-----------|------|------|------|--------|
| Coefficient | 1~5.6 µF | 0.20 | 0.40 | 0.80 | 1.00 |
| | 6.8~15 µF | 0.30 | 0.60 | 0.90 | 1.00 |
| | 22~33 µF | 0.50 | 0.80 | 0.90 | 1.00 |

◆DIMENSIONS

(mm)



◆PART NUMBER

□□□ RX30 □□□□□ □ □□□ □□ D×L
 Rated Voltage Series Rated Capacitance Capacitance Tolerance Option Lead Forming Case Size

◆ STANDARD SIZE

| Rated Voltage (V·DC) | Rated capacitance (μF) | Size φ DXL(mm) | Rated ripple current (mA r.m.s./130°C, 100kHz) | (Ω MAX) |
|----------------------|------------------------|----------------|--|---------------------------|
| | | | | Impedance 20°C, 100kHz |
| 10 (1A) | 330 | 8×11.5 | 360 | 0.22 |
| | 470 | 10×12.5 | 620 | 0.15 |
| | 1000 | 10×20 | 960 | 0.073 |
| | 2200 | 12.5×25 | 1430 | 0.040 |
| | 3300 | 16×25 | 1900 | 0.038 |
| | 4700 | 16×31.5 | 2300 | 0.034 |
| 16 (1C) | 330 | 8×11.5 | 360 | 0.22 |
| | 470 | 10×12.5 | 620 | 0.15 |
| | 1000 | 10×20 | 960 | 0.073 |
| | 2200 | 12.5×25 | 1430 | 0.040 |
| | 3300 | 16×31.5 | 2300 | 0.034 |
| | 4700 | 16×35.5 | 2550 | 0.031 |
| 25 (1E) | 220 | 8×11.5 | 360 | 0.22 |
| | 330 | 10×12.5 | 620 | 0.15 |
| | 470 | 10×16 | 800 | 0.10 |
| | 1000 | 12.5×20 | 1100 | 0.055 |
| | 2200 | 16×31.5 | 2300 | 0.034 |
| | 3300 | 16×35.5 | 2550 | 0.031 |
| 35 (1V) | 100 | 8×11.5 | 360 | 0.22 |
| | 220 | 10×12.5 | 620 | 0.15 |
| | 330 | 10×16 | 800 | 0.10 |
| | 470 | 10×20 | 960 | 0.073 |
| | 1000 | 12.5×25 | 1430 | 0.040 |
| | 2200 | 16×35.5 | 2550 | 0.031 |
| | 3300 | 18×35.5 | 2800 | 0.028 |
| 50 (1H) | 1 | 8×11.5 | 35 | 2.5 |
| | 2.2 | 8×11.5 | 50 | 1.8 |
| | 3.3 | 8×11.5 | 70 | 1.3 |
| | 4.7 | 8×11.5 | 100 | 0.85 |
| | 10 | 8×11.5 | 200 | 0.60 |
| | 22 | 8×11.5 | 260 | 0.35 |
| | 33 | 8×11.5 | 300 | 0.28 |
| | 47 | 8×11.5 | 300 | 0.28 |
| | 100 | 10×12.5 | 520 | 0.18 |
| | 220 | 10×20 | 890 | 0.082 |
| | 330 | 12.5×20 | 1000 | 0.065 |
| | 470 | 12.5×25 | 1200 | 0.051 |
| | 1000 | 16×31.5 | 2180 | 0.037 |
| | 2200 | 18×40 | 2800 | 0.029 |
| 63 (1J) | 33 | 8×11.5 | 250 | 0.40 |
| | 47 | 10×12.5 | 400 | 0.27 |
| | 100 | 10×16 | 450 | 0.20 |
| | 220 | 12.5×20 | 820 | 0.10 |
| | 330 | 12.5×25 | 1000 | 0.072 |
| | 470 | 16×25 | 1500 | 0.069 |
| | 1000 | 16×31.5 | 1850 | 0.056 |
| | 1500 | 18×40 | 2350 | 0.043 |
| 100 (2A) | 4.7 | 8×11.5 | 100 | 1.3 |
| | 10 | 8×11.5 | 200 | 1.0 |
| | 22 | 8×11.5 | 220 | 0.67 |
| | 33 | 10×12.5 | 260 | 0.45 |
| | 47 | 10×16 | 330 | 0.33 |
| | 100 | 12.5×20 | 670 | 0.17 |
| | 220 | 16×25 | 1100 | 0.13 |
| | 330 | 16×31.5 | 1300 | 0.10 |
| | 470 | 18×31.5 | 1600 | 0.092 |

| Rated Voltage (V·DC) | Rated capacitance (μF) | Size φ DXL(mm) | Rated ripple current (mA r.m.s./130°C, 100kHz) |
|----------------------|------------------------|----------------|--|
| | | | |
| 200 (2D) | 4.7 | 6.3×11 | 100 |
| | | 8×11.5 | 120 |
| | 5.6 | 8×11.5 | 130 |
| | | 8×16 | 180 |
| | 6.8 | 8×11.5 | 130 |
| | | 8×16 | 180 |
| | 10 | 8×16 | 200 |
| | | 8×20 | 240 |
| | 15 | 8×16 | 200 |
| | | 8×20 | 240 |
| 22 | 8×20 | 240 | |
| | 10×16 | 240 | |
| 33 | 10×20 | 320 | |
| 400 (2G) | 1 | 6.3×11 | 60 |
| | | 8×11.5 | 65 |
| | 1.5 | 8×11.5 | 75 |
| | | 8×16 | 80 |
| | 1.8 | 8×11.5 | 75 |
| | | 8×16 | 85 |
| | 2.2 | 8×11.5 | 75 |
| | | 8×16 | 90 |
| | 2.7 | 8×16 | 95 |
| | | 8×20 | 115 |
| | 3.3 | 8×16 | 100 |
| | | 8×20 | 120 |
| | 4.7 | 8×20 | 120 |
| 10×16 | | 125 | |
| 5.6 | 10×16 | 130 | |
| | 10×20 | 145 | |
| 6.8 | 10×20 | 150 | |