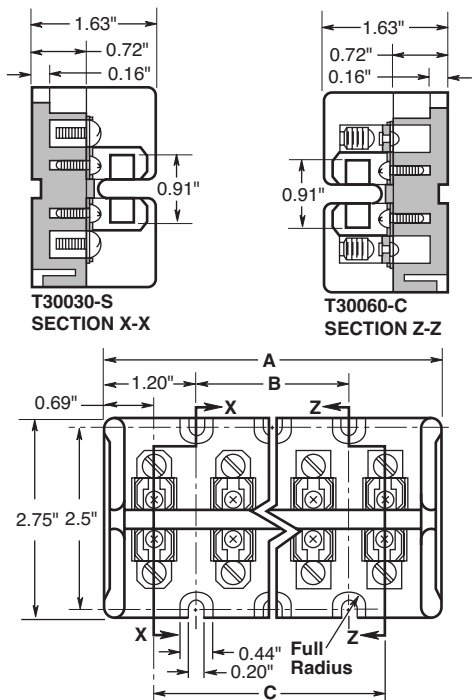
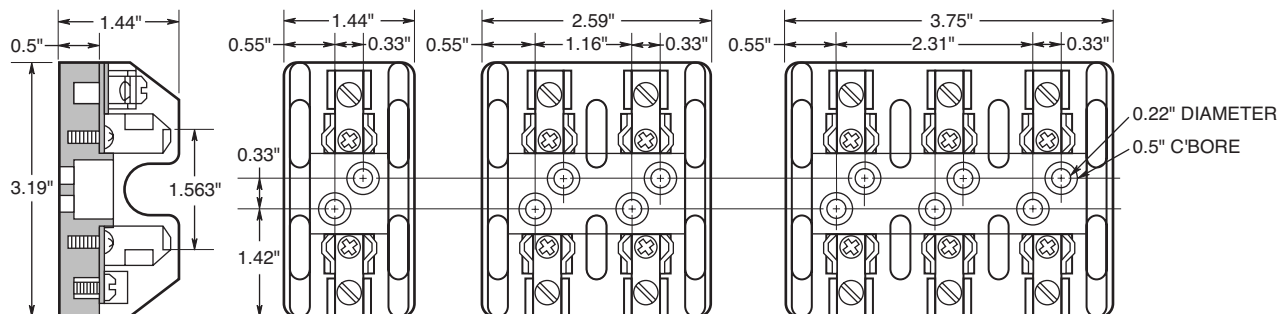


Dimensional Data
Figure 1. 300V 1/2A to 60A



Terminal Type	Dimensions (inches)		
	A	B	C
T30030-2	2.41	—	1.03
T30060-2	—	—	—
T30030-3	3.44	1.03	2.06
T30060-3	—	—	—
T30030-4	4.47	2.06	3.09
T30060-4	—	—	—

Figure 2. 600V 1/2A to 30A



CLASS T FUSEBLOCKS:

T300 Series: For use with Class T Fuses (Edison TJN)

T600 Series: For use with Class T Fuses (Edison TJS)

Construction: Glass Polyester, Phenolic on 600A, UL Flammability: 94VO

Ratings: **T300:** 300 VAC, 30 - 600A
T600: 600 VAC, 30 - 600A

Agency Approvals:

UL Listed, Guide IZLT, File E14853
 CSA, Class 6225-01, File 47235

Class T Fuseblocks (300V & 600V) Catalog Data

Amps	Poles	Catalog Numbers			Max. Wire Size
		Screw	Box Lug	Fig. No.	
TJN, 300V					
1/2-30	2	T30030-2SR	T30030-2CR	1	SR #10Cu;
	3	T30030-3SR	T30030-3CR	1	CR #2Cu-Al
31-60	2	T30060-2SR*	T30060-2CR	1	#2Cu Al
	3	T30060-3SR*	T30060-3CR	1	
61-100	1	—	T30100-1C	4	1/0 Cu-Al
	2	—	T30100-2C	4	
3	—	T30100-3C	4		
to 200	1	—	T30200-1C	5	250MCM Cu-Al
	3	—	T30200-3C	5	
to 400	1	—	T30400-1C	6	600MCM Cu-Al
	1	—	T30600-1C	7	(2) 600MCM Cu-Al
TJS, 600V					
1/2-30	1	T60030-1SR	T60030-1CR	2	SR #10Cu;
	2	T60030-2SR	T60030-2CR	2	
31-60	1	T60060-1SR*	T60060-1CR	3	CR#2Cu Al
	2	T60060-2SR	T60060-2CR	3	
61-100	3	T60060-3SR*	T60060-3CR	3	SR #10Cu
	1	—	T60100-1C	4	2/0 Cu-Al
2	—	T60100-2C	4		
3	—	T60100-3C	4		
to 200	1	—	T60200-1C	5	250MCM Cu-Al
	1	—	T60400-1C	6	600MCM Cu-Al
to 600	1	—	T60600-1C	7	(2) 600MCM Cu-Al

* U.L. Recognized

Dimensional Data

Figure 3. 600V 131A to 60A

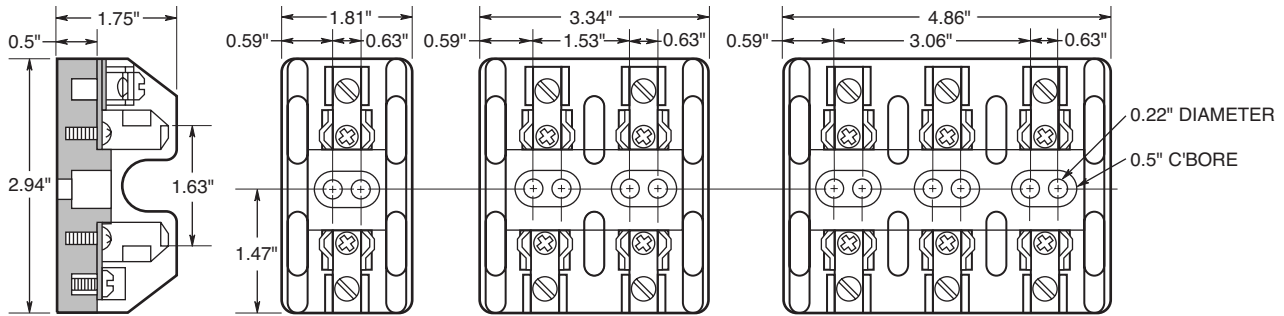


FIGURE 4. 300V, 600V 61A to 100A

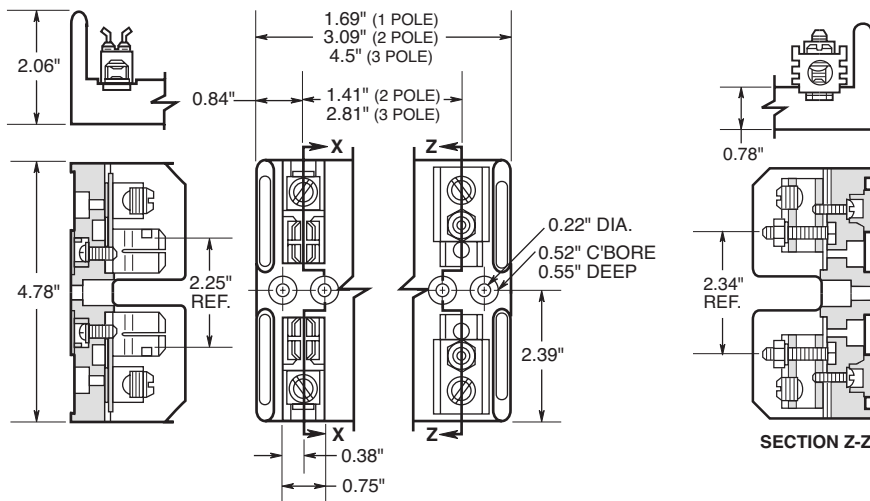


FIGURE 5. 300V, 600V 101A to 200A

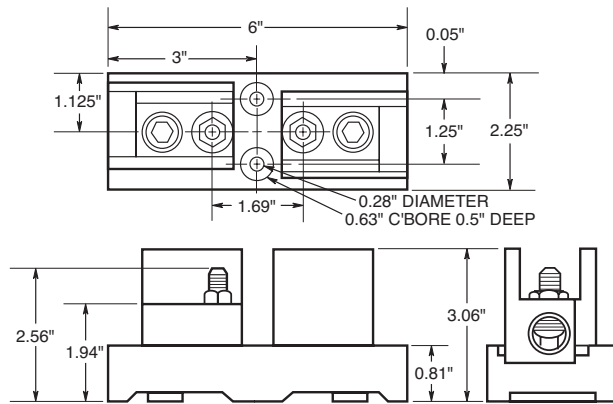


FIGURE 6. 300V, 600V 201A to 400A

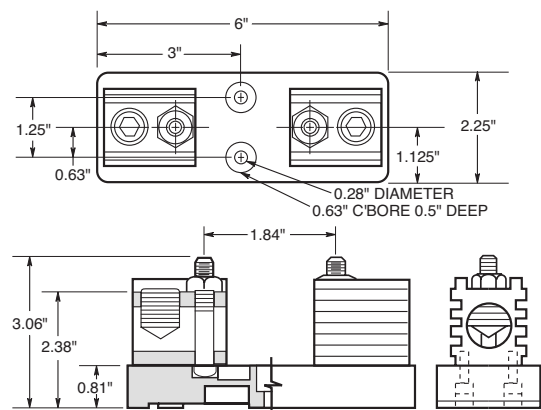


FIGURE 7. 300V, 600V 401A to 600A

