

Features

- No External Components Except PIN Diode
- Supply-voltage Range: 2.7V to 5.5V
- Highest Sensitivity Due to Automatic Sensitivity Adaption (AGC) and Automatic Strong Signal Adaption (ATC)
- Automatic Supply Voltage Adaptation
- Highest Immunity against Disturbances from Daylight and Lamps
- Available for Carrier Frequencies between 30 kHz to 76 kHz; adjusted by Zener-Diode Fusing $\pm 2.5\%$
- TTL and CMOS Compatible

Applications

- Home Entertainment Applications (Audio/Video)
- Home Appliances
- Remote Control Equipment

1. Description

The IC T2526 is a complete IR receiver for data communication developed and optimized for use in carrier-frequency-modulated transmission applications. The IC offers highest sensitivity as well as highest suppression of noise from daylight and lamps. The T2526 is available with broadest range of frequencies (30, 33, 36, 37, 38, 40, 44, 56, 76 kHz) and 5 different noise suppression regulation types (standard, lamp, noise, short burst, data rate) covering requirements of high-end remote control solutions (please refer to selection guide available for T2525/T2526). The T2526 operates in a supply voltage range of 2.7V to 5.5V.

The function of the T2526 can be described using the block diagram of [Figure 1-1 on page 2](#). The input stage meets two main functions. First it provides a suitable bias voltage for the PIN diode. Secondly the pulsed photo-current signals are transformed into a voltage by a special circuit which is optimized for low noise applications. After amplification by a Controlled Gain Amplifier (CGA) the signals have to pass a tuned integrated narrow bandpass filter with a center frequency f_0 which is equivalent to the chosen carrier frequency of the input signal. The demodulator is used first to convert the input burst signal to a digital envelope output pulse and to evaluate the signal information quality, i.e., unwanted pulses will be suppressed at the output pin. All this is done by means of an integrated dynamic feedback circuit which varies the gain as a function of the present environmental conditions (ambient light, modulated lamps etc.). Other special features are used to adapt to the current application to secure best transmission quality.

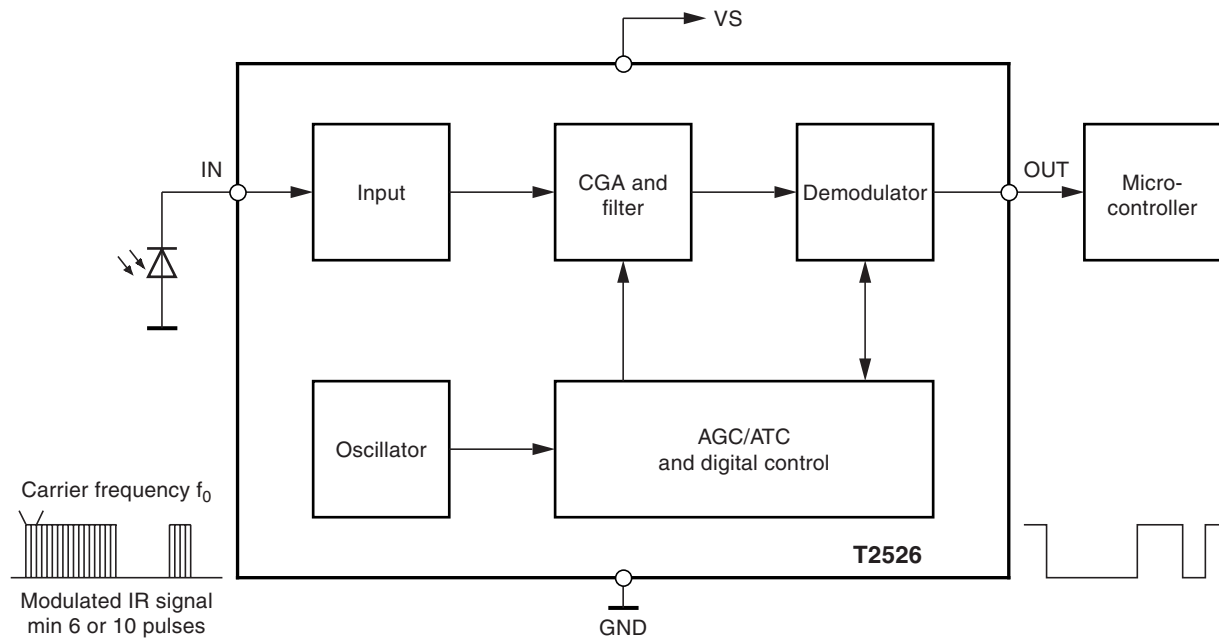


Low-voltage IR Receiver ASSP

T2526



Figure 1-1. Block Diagram



2. Pin Configuration

Figure 2-1. Pinning TSSOP8

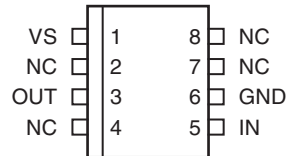


Table 2-1. Pin Description

Pin	Symbol	Function
1	VS	Supply voltage
2	NC	Not connected
3	OUT	Data output
4	NC	Not connected
5	IN	Input PIN-diode
6	GND	Ground
7	NC	Not connected
8	NC	Not connected

3. Absolute Maximum Ratings

Stresses beyond those listed under “Absolute Maximum Ratings” may cause permanent damage to the device. This is a stress rating only and functional operation of the device at these or any other conditions beyond those indicated in the operational sections of this specification is not implied. Exposure to absolute maximum rating conditions for extended periods may affect device reliability.

Parameter	Symbol	Value	Unit
Supply voltage	V_S	-0.3 to +6	V
Supply current	I_S	3	mA
Input voltage	V_{IN}	-0.3 to V_S	V
Input DC current at $V_S = 5V$	I_{IN}	0.75	mA
Output voltage	V_O	-0.3 to V_S	V
Output current	I_O	10	mA
Operating temperature	T_{amb}	-25 to +85	°C
Storage temperature	T_{stg}	-40 to +125	°C
Power dissipation at $T_{amb} = 25^\circ C$	P_{tot}	30	mW

4. Thermal Resistance

Parameters	Symbol	Value	Unit
Junction ambient TSSOP8	R_{thJA}	TBD	K/W

5. Electrical Characteristics, 3-V Operation

$T_{amb} = 25^{\circ}\text{C}$, $V_S = 3\text{V}$ unless otherwise specified.

No.	Parameters	Test Conditions	Pin	Symbol	Min.	Typ.	Max.	Unit	Type*
1	Supply								
1.1	Supply-voltage range		1	V_S	2.7	3.0	3.3	V	C
1.2	Supply current	$I_{IN}=0$	1	I_S	0.7	0.9	1.3	mA	B
2	Output								
2.1	Internal pull-up resistor ⁽¹⁾	$T_{amb} = 25^{\circ}\text{C}$ See Figure 7-10 on page 10	1, 3	R_{PU}		30/40		k Ω	A
2.2	Output voltage low	$R_2 = 2.4\text{ k}\Omega$ See Figure 7-10 on page 10	3, 6	V_{OL}			250	mV	B
2.3	Output voltage high		3, 1	V_{OH}	$V_S - 0.25$		V_S	V	B
2.4	Output current clamping	$R_2 = 0$ See Figure 7-10 on page 10	3, 6	I_{OCL}		8		mA	B
3	Input								
3.1	Input DC current	$V_{IN} = 0$ See Figure 7-10 on page 10	5	I_{IN_DCMAX}	-150			μA	C
3.2	Input DC current See Figure 7-3 on page 7	$V_{IN} = 0$; $V_S = 3\text{V}$ $T_{amb} = 25^{\circ}\text{C}$	5	I_{IN_DCMAX}		-350		μA	B
3.3	Minimum detection threshold current See Figure 7-1 on page 7	Test signal: See Figure 7-9 on page 10 $V_S = 3\text{V}$	3	I_{Eemin}		-700		pA	B
3.4	Minimum detection threshold current with AC current disturbance $I_{IN_AC100} = 3\text{ }\mu\text{A}$ at 100 Hz	$T_{amb} = 25^{\circ}\text{C}$, $I_{IN_DC} = 1\text{ }\mu\text{A}$ square pp burst N = 16 $f = f_0$; $t_{PER} = 10\text{ ms}$ Figure 7-8 on page 9 BER = 50 ⁽²⁾	3	I_{Eemin}		-1300		pA	C
3.5	Maximum detection threshold current with $V_{IN} > 0\text{V}$	Test signal: See Figure 7-9 on page 10 $V_S = 3\text{V}$, $T_{amb} = 25^{\circ}\text{C}$ $I_{IN_DC} = 1\text{ }\mu\text{A}$ square pp burst N = 16 $f = f_0$; $t_{PER} = 10\text{ ms}$ Figure 7-8 on page 9 BER = 5% ⁽²⁾	3	I_{Eemax}	-200			μA	D

*) Type means: A = 100% tested, B = 100% correlation tested, C = Characterized on samples, D = Design parameter

- Notes:
- Depending on version, see "Ordering Information"
 - BER = bit error rate; e.g., BER = 5% means that with P = 20 at the input pin 19...21 pulses can appear at the pin OUT
 - After transformation of input current into voltage

5. Electrical Characteristics, 3-V Operation (Continued)

$T_{amb} = 25^{\circ}\text{C}$, $V_S = 3\text{V}$ unless otherwise specified.

No.	Parameters	Test Conditions	Pin	Symbol	Min.	Typ.	Max.	Unit	Type*
4	Controlled Amplifier and Filter								
4.1	Maximum value of variable gain (CGA)			G_{VARMAX}		51		dB	D
4.2	Minimum value of variable gain (CGA)			G_{VARMIN}		-5		dB	D
4.3	Total internal amplification ⁽³⁾			G_{MAX}		71		dB	D
4.4	Center frequency fusing accuracy of bandpass	$V_S = 3\text{V}$, $T_{amb} = 25^{\circ}\text{C}$		f_{03V_FUZE}	-2.5	f_0	+2.5	%	A
4.5	Overall accuracy center frequency of bandpass			f_{03V}	-5.5	f_0	+3.5	%	C
4.6	Overall accuracy center frequency of bandpass	$T_{amb} = 0$ to 70°C		f_{03V}	-4.5	f_0	+3.0	%	C
4.7	BPF bandwidth	-3 dB; $f_0 = 38\text{ kHz}$; See Figure 7-7 on page 9		B		3.8		kHz	C

*) Type means: A = 100% tested, B = 100% correlation tested, C = Characterized on samples, D = Design parameter

Notes: 1. Depending on version, see "Ordering Information"

2. BER = bit error rate; e.g., BER = 5% means that with P = 20 at the input pin 19...21 pulses can appear at the pin OUT

3. After transformation of input current into voltage

6. Electrical Characteristics, 5-V Operation

$T_{amb} = 25^{\circ}\text{C}$, $V_S = 5\text{V}$ unless otherwise specified.

No.	Parameters	Test Conditions	Pin	Symbol	Min.	Typ.	Max.	Unit	Type*
5	Supply								
5.1	Supply-voltage range		1	V_S	4.5	5.0	5.5	V	C
5.2	Supply current	$I_{IN} = 0$	1	I_S	0.9	1.2	1.6	mA	B
6	Output								
6.1	Internal pull-up resistor ⁽¹⁾	$T_{amb} = 25^{\circ}\text{C}$ See Figure 7-10 on page 10	1, 3	R_{PU}		30/40		k Ω	A
6.2	Output voltage low	$R_2 = 2.4\text{ k}\Omega$ See Figure 7-10 on page 10	3, 6	V_{OL}			250	mV	B
6.3	Output voltage high		3, 1	V_{OH}	$V_S - 0.25$		V_S	V	B
6.4	Output current clamping	$R_2 = 0$ See Figure 7-10 on page 10	3, 6	I_{OCL}		8		mA	B

*) Type means: A = 100% tested, B = 100% correlation tested, C = Characterized on samples, D = Design parameter

Notes: 1. Depending on version, see "Ordering Information"

2. BER = bit error rate; e.g., BER = 5% means that with P = 20 at the input pin 19...21 pulses can appear at the pin OUT

3. After transformation of input current into voltage

6. Electrical Characteristics, 5-V Operation (Continued)

$T_{amb} = 25^{\circ}\text{C}$, $V_S = 5\text{V}$ unless otherwise specified.

No.	Parameters	Test Conditions	Pin	Symbol	Min.	Typ.	Max.	Unit	Type*
7 Input									
7.1	Input DC current	$V_{IN} = 0$ See Figure 7-10 on page 10	5	I_{IN_DCMAX}	-400			μA	C
7.2	Input DC-current See Figure 7-4 on page 8	$V_{IN} = 0$; $V_S = 5\text{V}$ $T_{amb} = 25^{\circ}\text{C}$	5	I_{IN_DCMAX}		-700		μA	B
7.3	Min. detection threshold current See Figure 7-2 on page 7	Test signal: See Figure 7-9 on page 10 $V_S = 5\text{V}$ $T_{amb} = 25^{\circ}\text{C}$	3	I_{Eemin}		-850		μA	B
7.4	Min. detection threshold current with AC current disturbance $I_{IN_AC100} = 3\ \mu\text{A}$ at 100 Hz	$I_{IN_DC} = 1\ \mu\text{A}$ square pp burst $N = 16$ $f = f_0$; $t_{PER} = 10\ \text{ms}$ Figure 7-8 on page 9 $\text{BER} = 50^{(2)}$	3	I_{Eemin}		-2000		μA	C
7.5	Max. detection threshold current with $V_{IN} > 0\text{V}$	Test signal: See Figure 7-9 on page 10 $V_S = 5\text{V}$, $T_{amb} = 25^{\circ}\text{C}$ $I_{IN_DC} = 1\ \mu\text{A}$ square pp burst $N = 16$ $f = f_0$; $t_{PER} = 10\ \text{ms}$ Figure 7-8 on page 9 $\text{BER} = 5\%^{(2)}$	3	I_{Eemax}	-500			μA	D
8 Controlled Amplifier and Filter									
8.1	Maximum value of variable gain (CGA)			G_{VARMAX}		51		dB	D
8.2	Minimum value of variable gain (CGA)			G_{VARMIN}		-5		dB	D
8.3	Total internal amplification ⁽³⁾			G_{MAX}		71		dB	D
8.4	Resulting center frequency fusing accuracy	f_0 fused at $V_S = 3\text{V}$ $V_S = 5\text{V}$, $T_{amb} = 25^{\circ}\text{C}$		f_{05V}		$f_{03V-FUSE} + 0.5$		%	A

*) Type means: A = 100% tested, B = 100% correlation tested, C = Characterized on samples, D = Design parameter

Notes: 1. Depending on version, see "Ordering Information"

2. BER = bit error rate; e.g., BER = 5% means that with $P = 20$ at the input pin 19...21 pulses can appear at the pin OUT

3. After transformation of input current into voltage

6.1 ESD

All pins \Rightarrow 2000V HBM; 200V MM, MIL-STD-883C, Method 3015.7

6.2 Reliability

Electrical qualification (1000h) in molded plastic package

7. Typical Electrical Curves at $T_{amb} = 25^{\circ}C$

Figure 7-1. I_{Eemin} versus I_{IN_DC} , $V_S = 3V$

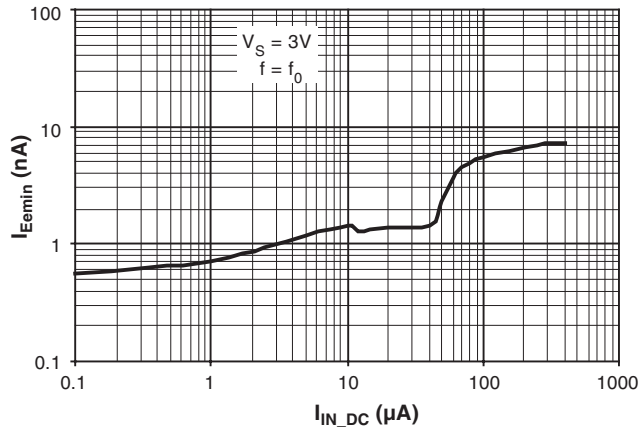


Figure 7-2. I_{Eemin} versus I_{IN_DC} , $V_S = 5V$

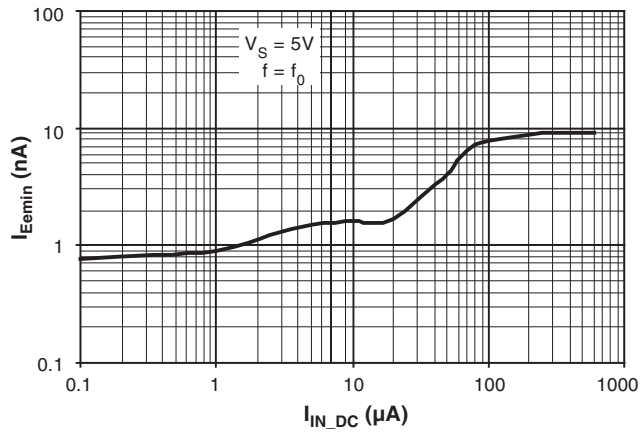


Figure 7-3. V_{IN} versus I_{IN_DC} , $V_S = 3V$

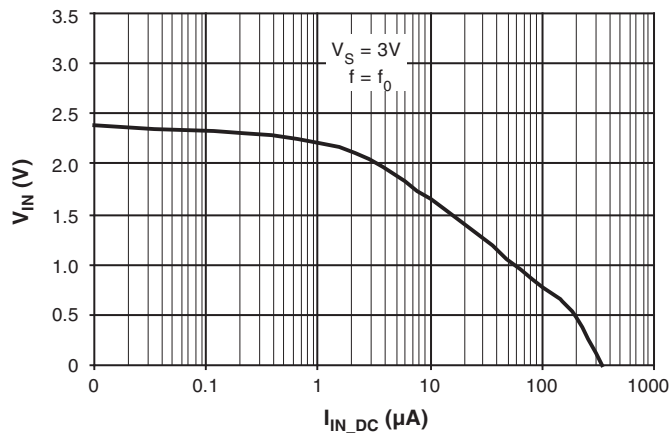


Figure 7-4. V_{IN} versus I_{IN_DC} , $V_S = 5V$

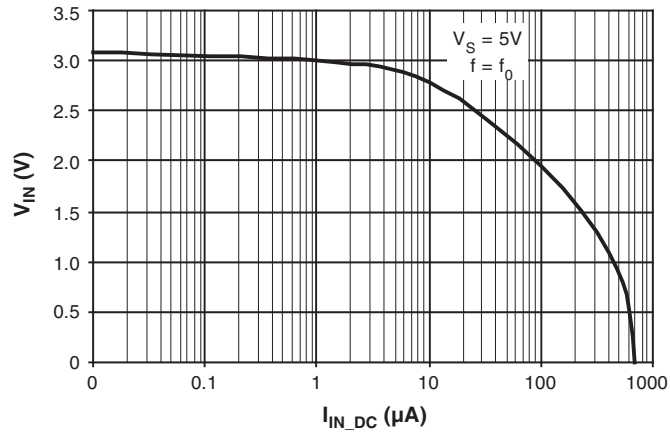


Figure 7-5. Data Transmission Rate, $V_S = 3V$

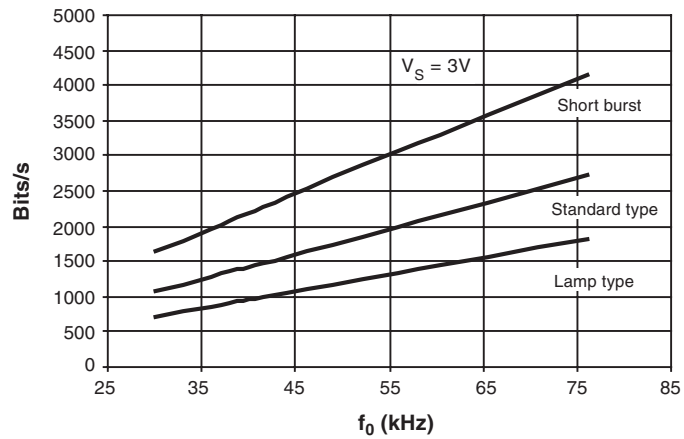


Figure 7-6. Data Transmission Rate, $V_S = 5V$

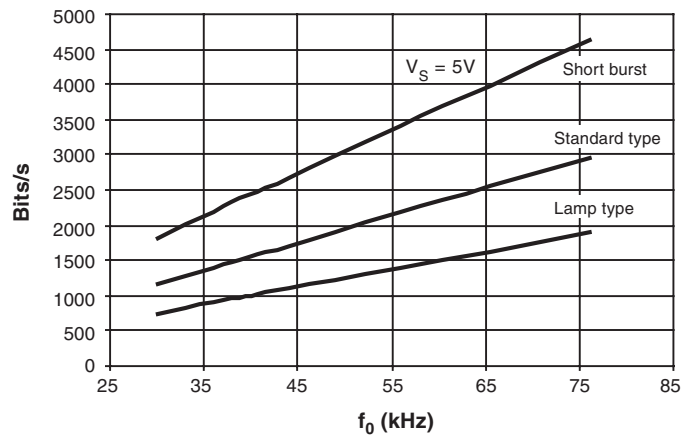
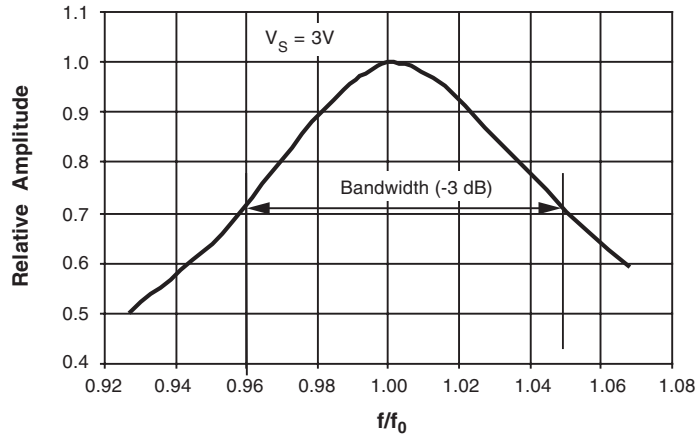


Figure 7-7. Typical Bandpass Curve



$Q = f_0/B$; B => -3 dB values.

Example: $Q = 1/(1.047 - 0.954) = 11$

Figure 7-8. Illustration of Used Terms
 Example: $f = 30$ kHz, burst with 16 pulses, 16 periods

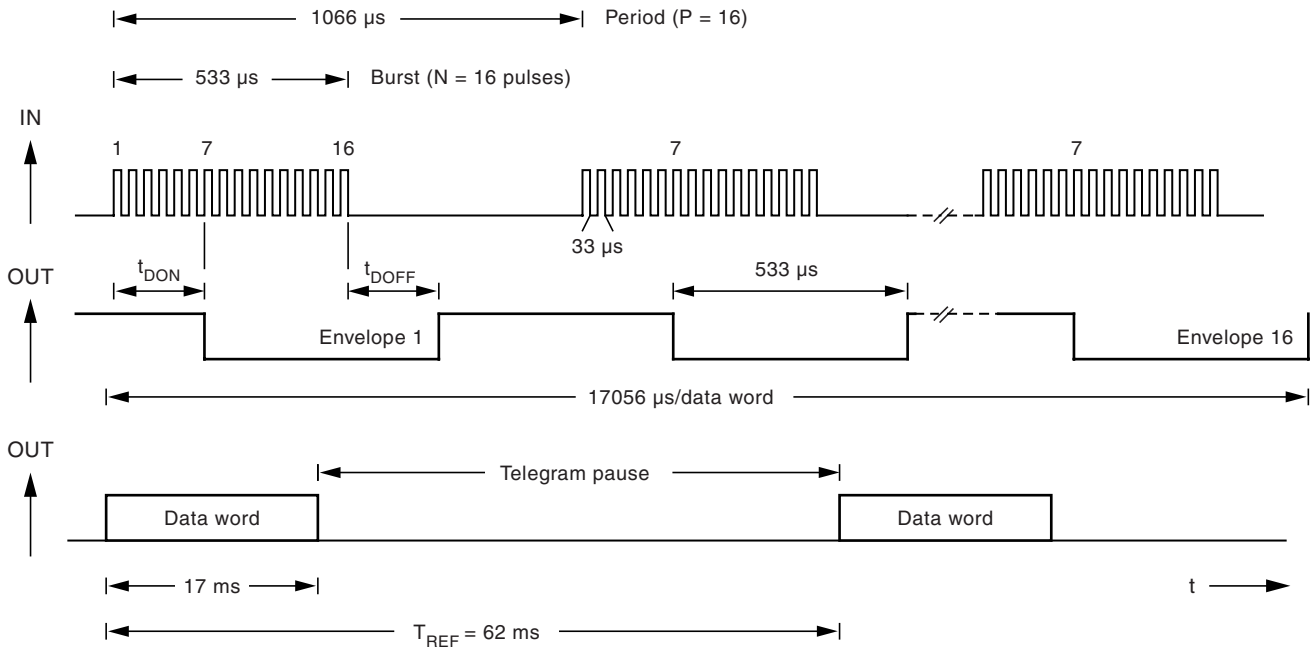


Figure 7-9. Test Circuit

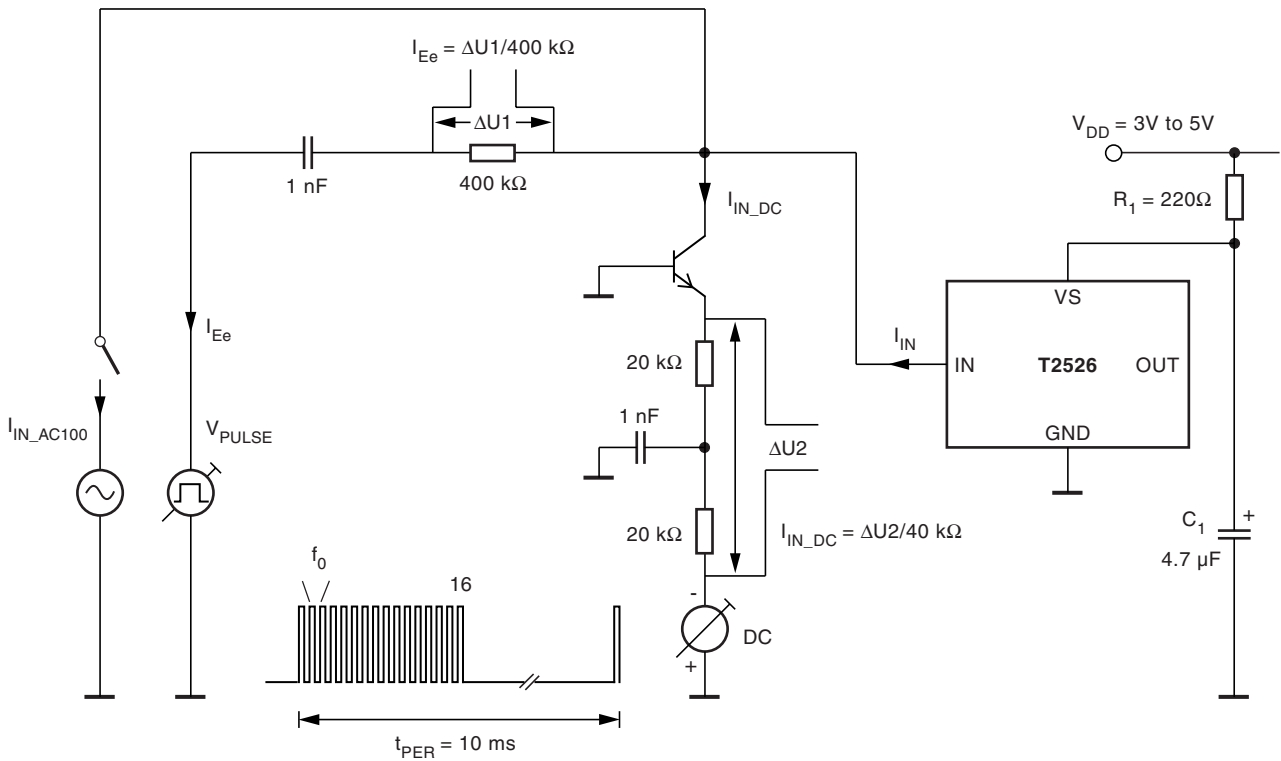
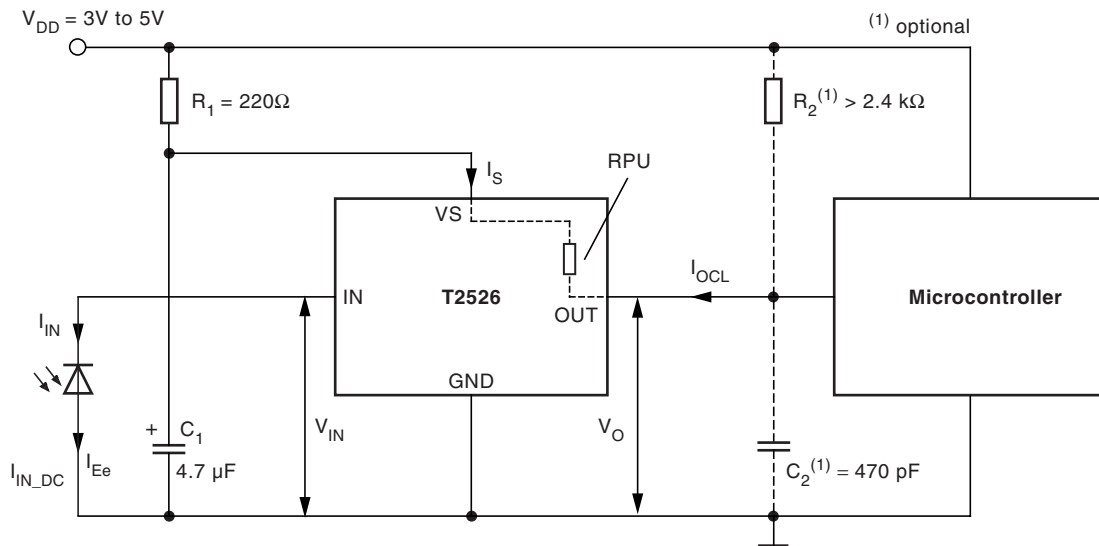
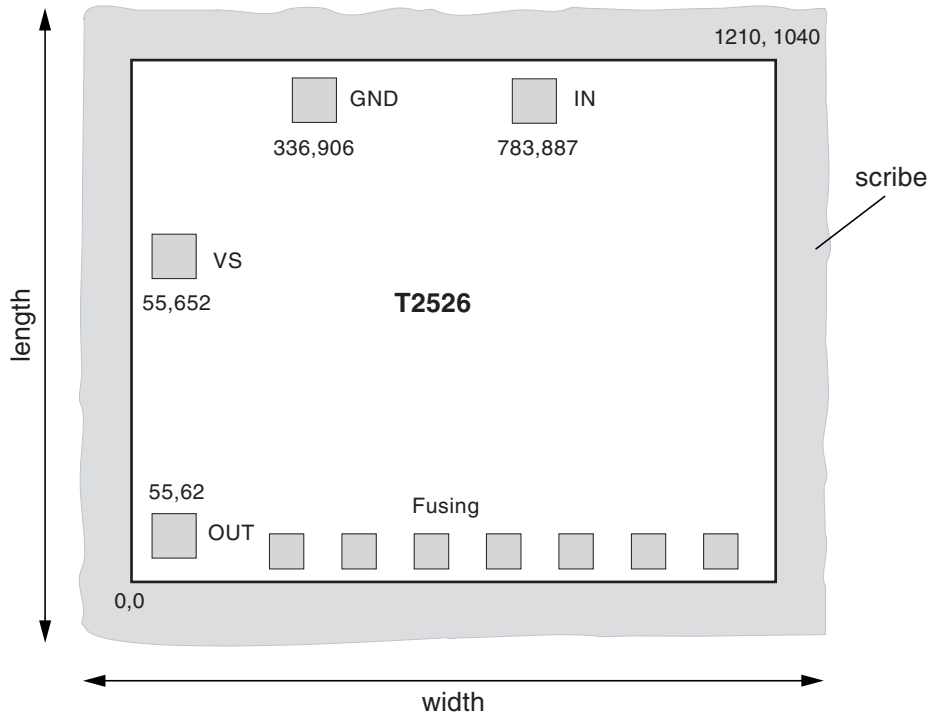


Figure 7-10. Application Circuit



8. Chip Dimensions

Figure 8-1. Chip Size in μm



Note: Pad coordinates are given for lower left corner of the pad in μm from the origin 0,0

Dimensions	Length inclusive scribe	1.16 mm
	Width inclusive scribe	1.37 mm
	Thickness	290 $\mu \pm 5\%$
Pads	Pads	90 $\mu \times 90 \mu$
	Fusing pads	70 $\mu \times 70 \mu$
Pad metallurgy	Material	AlCu/AlSiTi ⁽¹⁾
	Thickness	0.8 μm
Finish	Material	Si ₃ N ₄ /SiO ₂
	Thickness	0.7/0.3 μm

Note: 1. Value depends on manufacture location.

9. Ordering Information

Delivery: unsawn wafers (DDW) in box

Extended Type Number	PL ⁽²⁾	R _{PU} ⁽³⁾	D ⁽⁴⁾	Type ⁽⁵⁾
T2526N0xx ⁽¹⁾ -DDW	2	30	2179	Standard type: ≥ 10 pulses, enhanced sensibility, high data rate
T2526N1xx ⁽¹⁾ -DDW	1	30	2179	
T2526N2xx ⁽¹⁾ -DDW	2	40	1404	Lamp type: ≥ 10 pulses, enhanced suppression of disturbances, secure data transmission
T2526N3xx ⁽¹⁾ -DDW	1	40	1404	
T2526N6xx ⁽¹⁾ -DDW	2	30	3415	Short burst type: ≥ 6 pulses, enhanced data rate
T2526N7xx ⁽¹⁾ -DDW	1	30	3415	

- Notes:
- xx means the used carrier frequency value f_0 30, 33, 36, 38, 40, 44 or 56 kHz (76 kHz type on request)
 - Two pad layout versions (see [Figure 9-1](#) and [Figure 9-2](#)) available for different assembly demand
 - Integrated pull-up resistor at pin OUT (see electrical characteristics)
 - Typical data transmission rate up to bit/s with $f_0 = 56$ kHz, $V_S = 5$ V (see [Figure 7-8 on page 9](#))
 - On request: noise type, data rate type

9.1 Pad Layout

Figure 9-1. Pad Layout 1

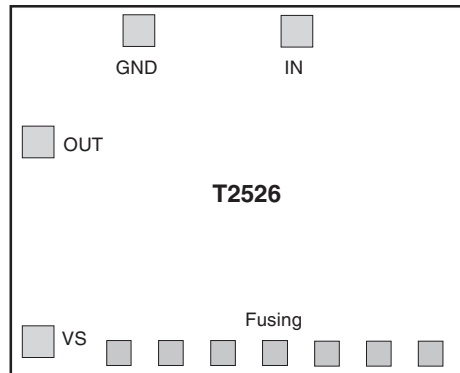
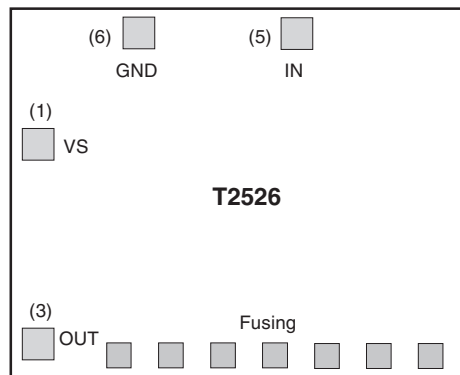


Figure 9-2. Pad Layout 2



10. Revision History

Please note that the following page numbers referred to in this section refer to the specific revision mentioned, not to this document.

Revision No.	History
4597G-AUTO-10/06	<ul style="list-style-type: none"> • Features on page 1 changed • Applications on page 1 changed • Section 1 "Description" on page 1 changed • Section 5 "Electrical Characteristics, 3-V Operation" number 3.4 on page 3 changed • Section 6 "Electrical Characteristics, 5-V Operation" number 7.3 and 7.4 on page 5 changed • Section 9 "Ordering Information" on page 11 changed
4597F-AUTO-04/06	<ul style="list-style-type: none"> • Section 9 "Ordering Information" on page 11 changed
4597E-AUTO-04/06	<ul style="list-style-type: none"> • Put datasheet in a new template • Section 8 "Chip Dimensions" on page 10 changed
4597D-AUTO-08/05	<ul style="list-style-type: none"> • Put datasheet in a new template • First page: Pb-free logo added • Page 11: Ordering Information changed • Page 2, 3, 5, 11, 13: SO8 deleted



Atmel Corporation

2325 Orchard Parkway
San Jose, CA 95131, USA
Tel: 1(408) 441-0311
Fax: 1(408) 487-2600

Regional Headquarters

Europe

Atmel Sarl
Route des Arsenaux 41
Case Postale 80
CH-1705 Fribourg
Switzerland
Tel: (41) 26-426-5555
Fax: (41) 26-426-5500

Asia

Room 1219
Chinachem Golden Plaza
77 Mody Road Tsimshatsui
East Kowloon
Hong Kong
Tel: (852) 2721-9778
Fax: (852) 2722-1369

Japan

9F, Tonetsu Shinkawa Bldg.
1-24-8 Shinkawa
Chuo-ku, Tokyo 104-0033
Japan
Tel: (81) 3-3523-3551
Fax: (81) 3-3523-7581

Atmel Operations

Memory

2325 Orchard Parkway
San Jose, CA 95131, USA
Tel: 1(408) 441-0311
Fax: 1(408) 436-4314

Microcontrollers

2325 Orchard Parkway
San Jose, CA 95131, USA
Tel: 1(408) 441-0311
Fax: 1(408) 436-4314

La Chantrerie
BP 70602
44306 Nantes Cedex 3, France
Tel: (33) 2-40-18-18-18
Fax: (33) 2-40-18-19-60

ASIC/ASSP/Smart Cards

Zone Industrielle
13106 Rousset Cedex, France
Tel: (33) 4-42-53-60-00
Fax: (33) 4-42-53-60-01

1150 East Cheyenne Mtn. Blvd.
Colorado Springs, CO 80906, USA
Tel: 1(719) 576-3300
Fax: 1(719) 540-1759

Scottish Enterprise Technology Park
Maxwell Building
East Kilbride G75 0QR, Scotland
Tel: (44) 1355-803-000
Fax: (44) 1355-242-743

RF/Automotive

Theresienstrasse 2
Postfach 3535
74025 Heilbronn, Germany
Tel: (49) 71-31-67-0
Fax: (49) 71-31-67-2340

1150 East Cheyenne Mtn. Blvd.
Colorado Springs, CO 80906, USA
Tel: 1(719) 576-3300
Fax: 1(719) 540-1759

Biometrics/Imaging/Hi-Rel MPU/ High-Speed Converters/RF Datacom

Avenue de Rochepleine
BP 123
38521 Saint-Egreve Cedex, France
Tel: (33) 4-76-58-30-00
Fax: (33) 4-76-58-34-80

Literature Requests

www.atmel.com/literature

Disclaimer: The information in this document is provided in connection with Atmel products. No license, express or implied, by estoppel or otherwise, to any intellectual property right is granted by this document or in connection with the sale of Atmel products. **EXCEPT AS SET FORTH IN ATMEL'S TERMS AND CONDITIONS OF SALE LOCATED ON ATMEL'S WEB SITE, ATMEL ASSUMES NO LIABILITY WHATSOEVER AND DISCLAIMS ANY EXPRESS, IMPLIED OR STATUTORY WARRANTY RELATING TO ITS PRODUCTS INCLUDING, BUT NOT LIMITED TO, THE IMPLIED WARRANTY OF MERCHANTABILITY, FITNESS FOR A PARTICULAR PURPOSE, OR NON-INFRINGEMENT. IN NO EVENT SHALL ATMEL BE LIABLE FOR ANY DIRECT, INDIRECT, CONSEQUENTIAL, PUNITIVE, SPECIAL OR INCIDENTAL DAMAGES (INCLUDING, WITHOUT LIMITATION, DAMAGES FOR LOSS OF PROFITS, BUSINESS INTERRUPTION, OR LOSS OF INFORMATION) ARISING OUT OF THE USE OR INABILITY TO USE THIS DOCUMENT, EVEN IF ATMEL HAS BEEN ADVISED OF THE POSSIBILITY OF SUCH DAMAGES.** Atmel makes no representations or warranties with respect to the accuracy or completeness of the contents of this document and reserves the right to make changes to specifications and product descriptions at any time without notice. Atmel does not make any commitment to update the information contained herein. Unless specifically provided otherwise, Atmel products are not suitable for, and shall not be used in, automotive applications. Atmel's products are not intended, authorized, or warranted for use as components in applications intended to support or sustain life.

© 2006, Atmel Corporation. All rights reserved. Atmel®, logo and combinations thereof, Everywhere You Are® and others are registered trademarks or trademarks of Atmel Corporation or its subsidiaries. Other terms and product names may be trademarks of others.