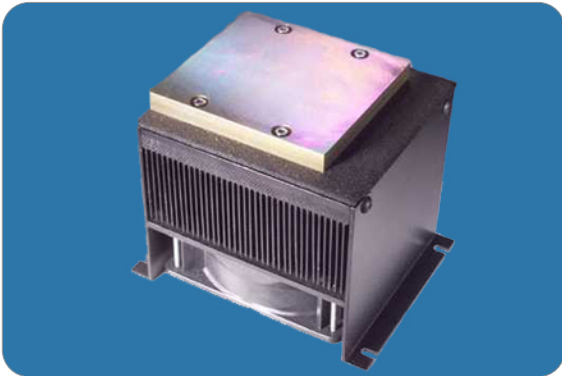




**marlow industries, inc.**®  
Subsidiary of II-VI INCORPORATED

# TECHNICAL DATA SHEET



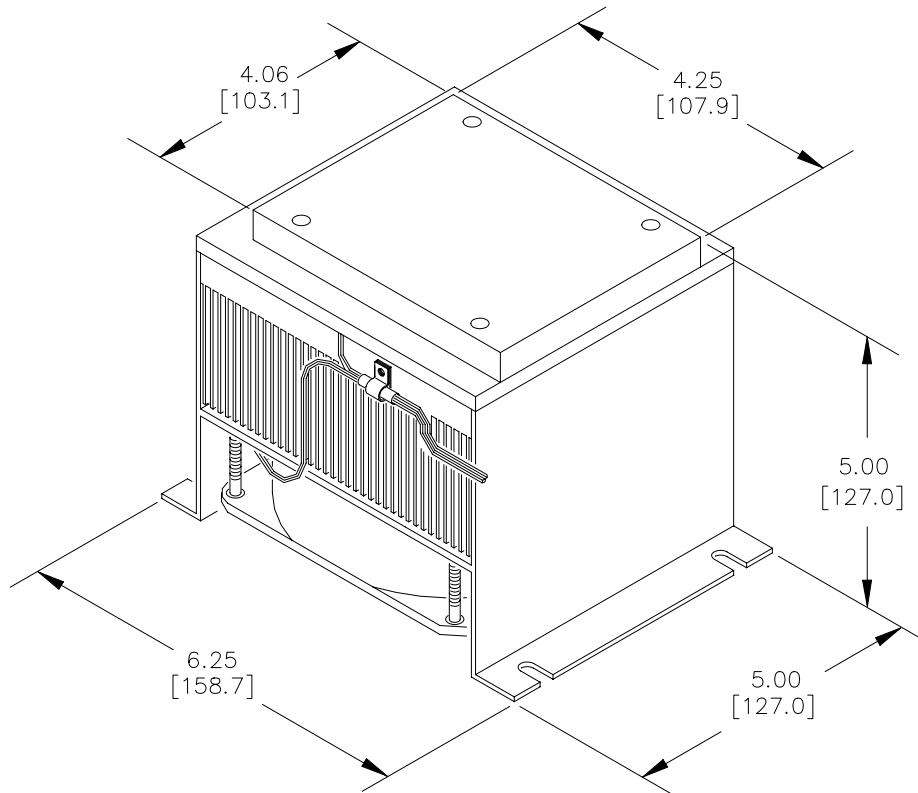
## ST3384

Thermoelectric Cold Plate Assembly

### PERFORMANCE VALUES

Delta T from Ambient (°C):	0°C	20°C
Qmax (watts):	135	75

### MECHANICAL CHARACTERISTICS

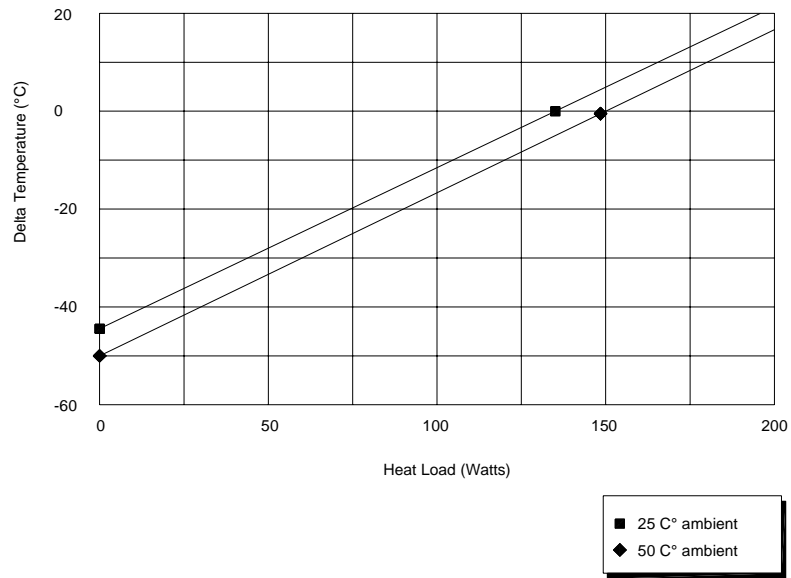


### ORDERING OPTIONS

Model Number	Description
ST3384-01	12 Volt Cold Plate Assembly
ST3384-02	24 Volt Cold Plate Assembly
ST3384-03	48 Volt Cold Plate Assembly

### AVAILABLE MODIFICATIONS

For modifications, consult one of our Applications Engineers.



**Thermal Specifications**

- The "Typical Performance" shown above represents maximum capacity.
- The "Delta Temperature" above refers to the difference between the cold plate temperature and the ambient temperature.
- This specification assumes an insulated cold plate. Not accounted for are passive loads (i.e. condensation from the air), thermal resistance from heat spreading (heat source to cold plate), and thermal resistance across interfaces. Contact MI for further assistance.

**Power Specifications**

- At maximum conditions, the thermoelectric coolers draw about 225 Watts at 12 volts for -01, 24volts for -02, and 48 volts for -03.

For more performance information, consult one of our Applications Engineers.

**Installation**

Consult Marlow Industries' Thermoelectric Installation Guide for more details. For additional information, please contact one of our application engineers for technical support.

**CONTACT US:**

For customer support or general questions please contact a local office below or consult our website for distributor information.

Marlow Industries, Inc.  
 10451 Vista Park Road  
 Dallas Texas 75238-1645  
 214-340-4900 (tel)  
 214-341-5212 (fax)  
 www.marlow.com

Marlow Industries Europe GmbH  
 Im Tiefen See 58  
 64293 Darmstadt - Germany  
 Tel.: +49 (0) 6151 8806 -0  
 Fax.: +49 (0) 6151 8806 9455

II-VI Japan Inc.  
 WBG Marive East 17F  
 2-6 Nakase, Mihama-ku  
 Chiba-Shi, Chiba 261-7117  
 Japan  
 81 43 297 2693 (tel)  
 81 43 297 3003 (fax)  
 center@ii-vi.co.jp  
 www.ii-vi.co.jp

II-VI Singapore Pte., Ltd.  
 Blk. 5012, Techplace II  
 #04-07 & 05-07/12, Ang Mo Kio Ave. 5  
 Singapore 569876  
 (65) 6481 8215 (tel)  
 (65) 6481 8702 (fax)  
 info@ii-vi.com.sg  
 www.ii-vi.com.sg

Marlow Industries China, II-VI  
 Technologies Beijing  
 A subsidiary of II-VI Incorporated  
 Rm 202, 1# Lize 2nd Middle Road  
 Wangjing, Chaoyang District  
 Beijing 100102 China  
 010-64398226 ext 105 (tel)  
 010-64399315 (fax)  
 info@iivibj.com