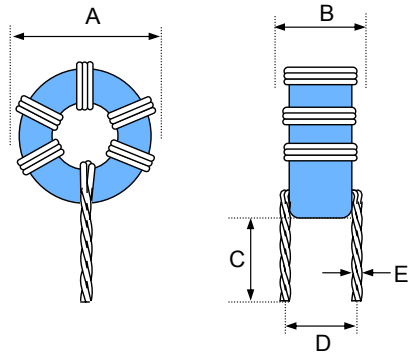
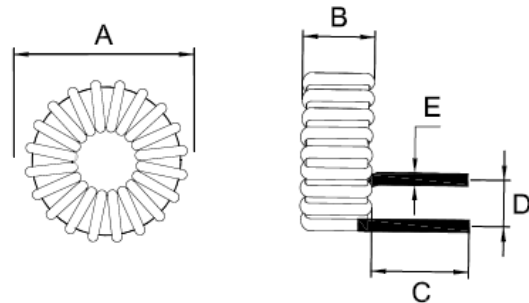


TCV Type



TCH Type



Electrical characteristics

Part No.	Inductance (uH)	Rated current (Amp)	DC Resistance (mΩ)Max	Dimension(mm)					Wire Size
				A (Max)	B (Max)	C ±0.5	D (REF)	E (Max)	
TC5053N-R80M-H	0.8±20%	30	1.4	17.0	9.0	3.6	7.5	2.30	Ø0.90×3P
TC5053BN-R80M-H	0.8±20%	30	1.5	17.0	10.0	3.6	6.0	2.50	Ø1.0×3P
TC3752N-221M-B	221.0±20%	1	330.0	13.0	9.0	3.3	5.5	0.50	Ø0.4×1P
TC4452N-221M-B	220.0±20%	1	342.0	15.5	12.0	3.3	7.5	0.95	Ø0.4×1P
TC5052N-2R8L	2.8±15%	20	4.0	16.0	8.0	3.0	7.0	1.70	Ø0.70×3P
TC5053N-1R2M	1.2±20%	35	1.6	17.5	9.5	3.6	7.8	2.30	Ø0.90×3P
TC6295N-2R5M	2.5±20%	30	4.0	23.0	14.0	12.0	9.5	2.50	Ø1.0×3P
TC6018N-3R0M	3.0±20%	30	6.0	21.0	12.0	6.5	8.0	2.00	Ø0.8×3P
TC3726N-101K	100.0±10%	1	202.0	13.0	7.0	10.0	4.5	0.45	Ø0.35×1P
TC4452N-101K	100.0±10%	2	160.0	16.0	9.0	10.0	5.5	0.60	Ø0.5×1P
TC50MGN-R60M	0.6±20%	30	1.0	18.0	9.0	3.5	7.0	2.40	Ø0.90×3P
TC5052BN-R70M	±20%0.7	30	2.2	19.0	12.5	3.5	8.5	2.50	Ø1.0×3P
TC5052N-500K	50.0±10%	3	72.0	17.0	9.0	10.0	6.0	0.80	Ø0.7×1P