

Power CMOS Drivers With Voltage Tripler

Features

- Power Driver With On Board Voltage Booster
- Low I_{DD} – <4mA
- Small Package – 8-Pin PDIP
- Under-Voltage Circuitry
- Fast Rise-Fall Time – <40nsec @ 1000pF
- Below-Rail Input Protection

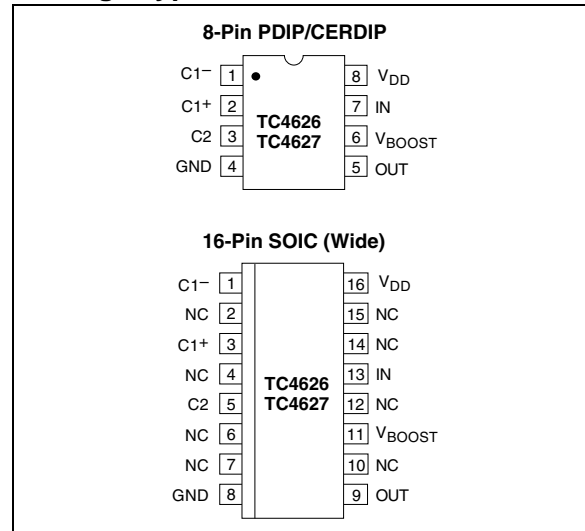
Applications

- Raises 5V to drive higher – V_{gs} (ON) MOSFETs
- Eliminates one system power supply

Device Selection Table

Part Number	Package	Temp. Range
TC4626COE	16-Pin SOIC (Wide)	-55°C to +125°C
TC4626CPA	8-Pin PDIP	-40°C to +85°C
TC4626EOE	16-Pin SOIC (Wide)	-40°C to +85°C
TC4626EPA	8-Pin PDIP	0°C to +70°C
TC4626MJA	8-Pin CERDIP	0°C to +70°C
TC4627COE	16-Pin SOIC (Wide)	-55°C to +125°C
TC4627CPA	8-Pin PDIP	-40°C to +85°C
TC4627EOE	16-Pin SOIC (Wide)	-40°C to +85°C
TC4627EPA	8-Pin PDIP	0°C to +70°C
TC4627MJA	8-Pin CERDIP	0°C to +70°C

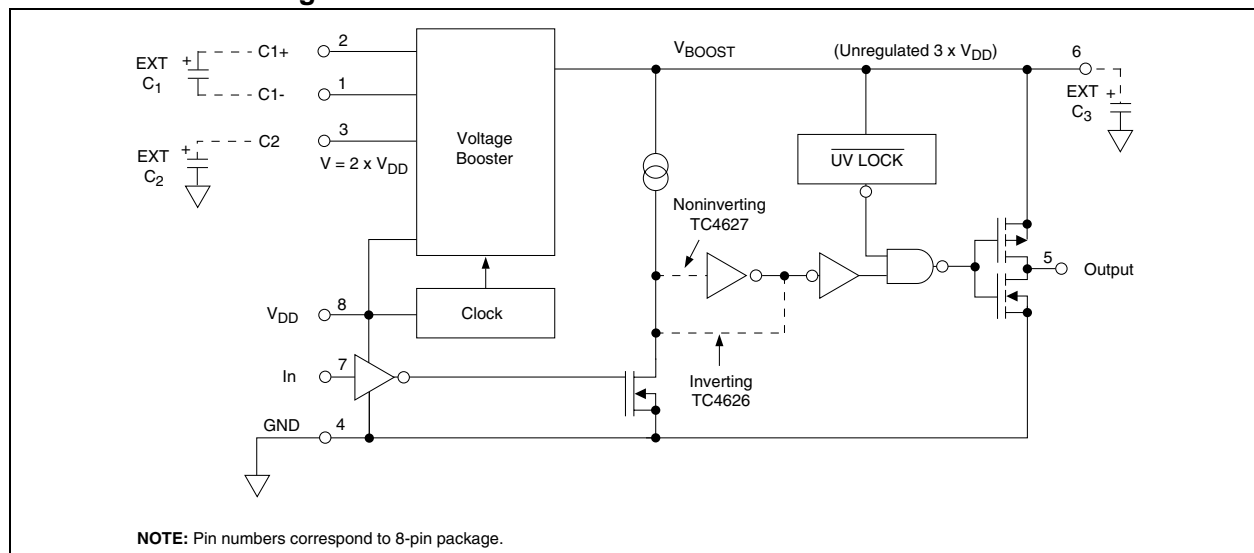
Package Type



General Description

The TC4626/TC4627 are single CMOS high speed drivers with an on-board voltage boost circuit. These parts work with an input supply voltage from 4 to 6 volts. The internal voltage booster will produce a V_{BOOST} potential up to 12 volts above V_{IN} . This V_{BOOST} is not regulated, so its voltage is dependent on the input V_{DD} voltage and output drive loading requirements. An internal undervoltage lockout circuit keeps the output in a low state when V_{BOOST} drops below 7.8 volts. Output is enabled when V_{BOOST} is above 11.3 volts.

Functional Block Diagram



TC4626/TC4627

1.0 ELECTRICAL CHARACTERISTICS

Absolute Maximum Ratings*

Supply Voltage	6.2V
Input Voltage, Any Terminal	$V_S + 0.3V$ to $GND - 0.3V$
Package Power Dissipation ($T_A \leq 70^\circ C$)	
PDIP	730mW
CERDIP	800mW
SOIC	760mW
Derating Factor PDIP	5.6 mW/ $^\circ C$ Above $36^\circ C$
CERDIP	6.0mW/ $^\circ C$
Operating Temperature Range (Ambient)	
C Version	$0^\circ C$ to $+70^\circ C$
E Version	$-40^\circ C$ to $+85^\circ C$
M Version	$-55^\circ C$ to $+125^\circ C$
Storage Temperature Range	$-65^\circ C$ to $+150^\circ C$

*Stresses above those listed under "Absolute Maximum Ratings" may cause permanent damage to the device. These are stress ratings only and functional operation of the device at these or any other conditions above those indicated in the operation sections of the specifications is not implied. Exposure to Absolute Maximum Rating conditions for extended periods may affect device reliability.

TC4626/TC4627 ELECTRICAL SPECIFICATIONS

Electrical Characteristics: $T_A = +25^\circ C$, $V_{DD} = 5V$, $C_1 = C_2 = C_3 = 10\mu F$ unless otherwise noted.						
Symbol	Parameter	Min	Typ	Max	Units	Test Conditions
Input						
V_{IH}	Logic 1, High Input Voltage	2.4	—	—	V	
V_{IL}	Logic 0, Low Input Voltage	—	—	0.8	V	
I_{IN}	Input Current	-1	—	1	μA	$0V \leq V_{IN} \leq V_{DRIVE}$
Output						
V_{OH}	High Output Voltage	$V_{BOOST} - 0.025$	—	—	V	
V_{OL}	Low Output Voltage	—	—	0.025	V	
R_O	Output Resistance, High	—	10	15	Ω	$I_{OUT} = 10mA$, $V_{DD} = 5V$
R_O	Output Resistance, Low	—	8	10	Ω	$I_{OUT} = 10mA$, $V_{DD} = 5V$
I_{PK}	Peak Output Current	—	1.5	—	A	
Switching Time						
t_R	Rise Time	—	33	40	nsec	Figure 3-1, Figure 3-2
t_F	Fall Time	—	27	35	nsec	Figure 3-1, Figure 3-2
t_{D1}	Delay Time	—	35	45	nsec	Figure 3-1, Figure 3-2
t_{D2}	Delay Time	—	45	55	nsec	Figure 3-1, Figure 3-2
F_{MAX}	Maximum Switching Frequency	1.0	—	—	MHz	$V_{DD} = 5V$, $V_{BOOST} > 8.5V$, Figure 3-1
Voltage Booster						
R_3	Voltage Tripler Output Source Resistance	—	300	400	Ω	$I_L = 10mA$, $V_{DD} = 5V$
R_2	Voltage Doubler Output Source Resistance	—	120	200	Ω	
F_{OSC}	Oscillator Frequency	12	—	28	kHz	
V_{OSC}	Oscillator Amplitude Measured at C1-	4.5	—	10	V	$R_{LOAD} = 10k\Omega$
$UV @ V_{BOOST}$	Undervoltage Threshold	7.0	7.8	8.5	V	
$V_{START} @ V_{BOOST}$	Start Up Voltage	10.5	11.3	12	V	
V_{BOOST}	@ $V_{DD} = 5V$	14.6	—	—	V	No Load

TC4626/TC4627 ELECTRICAL SPECIFICATIONS (CONTINUED)

Symbol	Parameter	Min	Typ	Max	Units	Test Conditions
Power Supply						
I_{DD}	Power Supply Current	—	—	2.5	mA	$V_{IN} = \text{LOW or HIGH}$
V_{DD}	Supply Voltage	4.0	—	6.0	V	
Electrical Characteristics: Over operating temperature range, $V_{DD} = 5V$, $C_1 = C_2 = C_3 = 10\mu F$ unless otherwise noted.						
Symbol	Parameter	Min	Typ	Max	Units	Test Conditions
Input						
V_{IH}	Logic 1, High Input Voltage	2.4	—	—	V	
V_{IL}	Logic 0, Low Input Voltage	—	—	0.8	V	
I_{IN}	Input Current	-10	—	1	μA	$0V \leq V_{IN} \leq V_{BOOST}$
Output						
V_{OH}	High Output Voltage	$V_{DRIVE} - 0.025$	—	—	V	
V_{OL}	Low Output Voltage	—	—	0.025	V	
R_O	Output Resistance, High	—	15 15	20 25	Ω	$I_{OUT} = 10mA$, $V_{DD} = 5V$ C & E Version ($T_A = 70^\circ C$ or $85^\circ C$) M Version ($T_A = 125^\circ C$)
R_O	Output Resistance, Low	—	10 10	13 15	Ω	$I_{OUT} = 10mA$, $V_{DD} = 5V$ C & E Version ($T_A = 70^\circ C$ or $85^\circ C$) M Version ($T_A = 125^\circ C$)
I_{PK}	Peak Output Current	—	1.5	—	A	
Switching Time						
t_R	Rise Time	—	—	55	nsec	Figure 3-1, Figure 3-2
t_F	Fall Time	—	—	50	nsec	Figure 3-1, Figure 3-2
t_{D1}	Delay Time	—	—	60	nsec	Figure 3-1, Figure 3-2
t_{D2}	Delay Time	—	—	70	nsec	Figure 3-1, Figure 3-2
F_{MAX}	Maximum Switching Frequency	750	—	—	kHz	$V_{DD} = 5V$, $V_{BOOST} > 8.5V$, Figure 3-1
Voltage Booster						
R_3	Voltage Boost Output Source Resistance	—	400	500	Ω	$I_L = 10mA$, $V_{DD} = 5V$
R_2	Voltage Doubler Output Source Resistance	—	170	300	Ω	
F_{OSC}	Oscillator Frequency	5	—	50	kHz	
V_{OSC}	Oscillator Amplitude Measured at C1-	4.5	—	10	V	$R_{LOAD} = 10k\Omega$
$UV @ V_{BOOST}$	Undervoltage Threshold	7.0	7.8	8.5	V	
$V_{START} @ V_{BOOST}$	Start Up Voltage	10.5	11.3	12	V	
V_{BOOST}	@ $V_{DD} = 5V$	14.6	—	—	V	No Load
Power Supply						
I_{DD}	Power Supply Current	—	—	4	mA	$V_{IN} = \text{LOW or HIGH}$
V_{DD}	Supply Voltage	4.0	—	6.0	V	

TC4626/TC4627

2.0 PIN DESCRIPTIONS

The descriptions of the pins are listed in Table 2-1.

TABLE 2-1: PIN FUNCTION TABLE

Pin No. (8-Pin PDIP, CERDIP)	Symbol	Description
1	C1-	
2	C1+	
3	C2	
4	GND	Ground.
5	OUT	
6	V _{BOOST}	
7	IN	
8	V _{DD}	

Pin No. (16-Pin SOIC Wide)	Symbol	Description
1	C1-	
2	NC	No connect.
3	C1+	
4	NC	No connect.
5	C2	
6	NC	No connect.
7	NC	No connect.
8	GND	Ground.
9	OUT	
10	NC	No connect.
11	V _{BOOST}	
12	NC	No connect.
13	IN	
14	NC	No connect.
15	NC	No connect.
16	V _{DD}	

3.0 APPLICATIONS INFORMATION

FIGURE 3-1: INVERTING DRIVER SWITCHING TIME

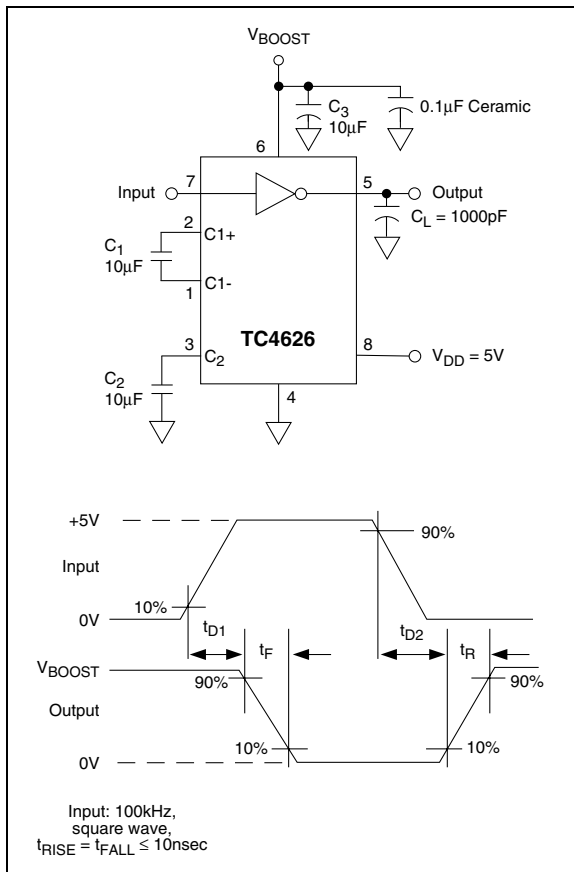
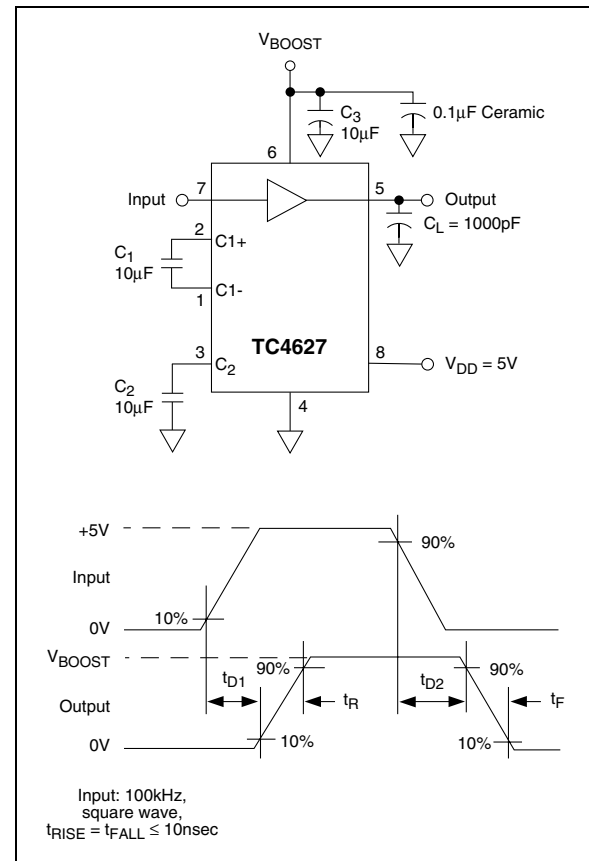


FIGURE 3-2: NONINVERTING DRIVER SWITCHING TIME



TC4626/TC4627

3.1 BOOSTER FUNCTION

The voltage booster is an unregulated voltage tripler circuit. The tripler consists of three sets of internal switches and three external capacitors. S1a and S1b charge capacitor C1 to V_{DD} potential. S2a and S2b add

C1 potential to V_{DD} input to charge C2 to $2 \times V_{DD}$. S3a and S3b add C1 potential to C2 to charge C3 to $3 \times V_{DD}$. The position of the switches is controlled by the internal 4 phase clock.

FIGURE 3-3: VOLTAGE BOOSTER

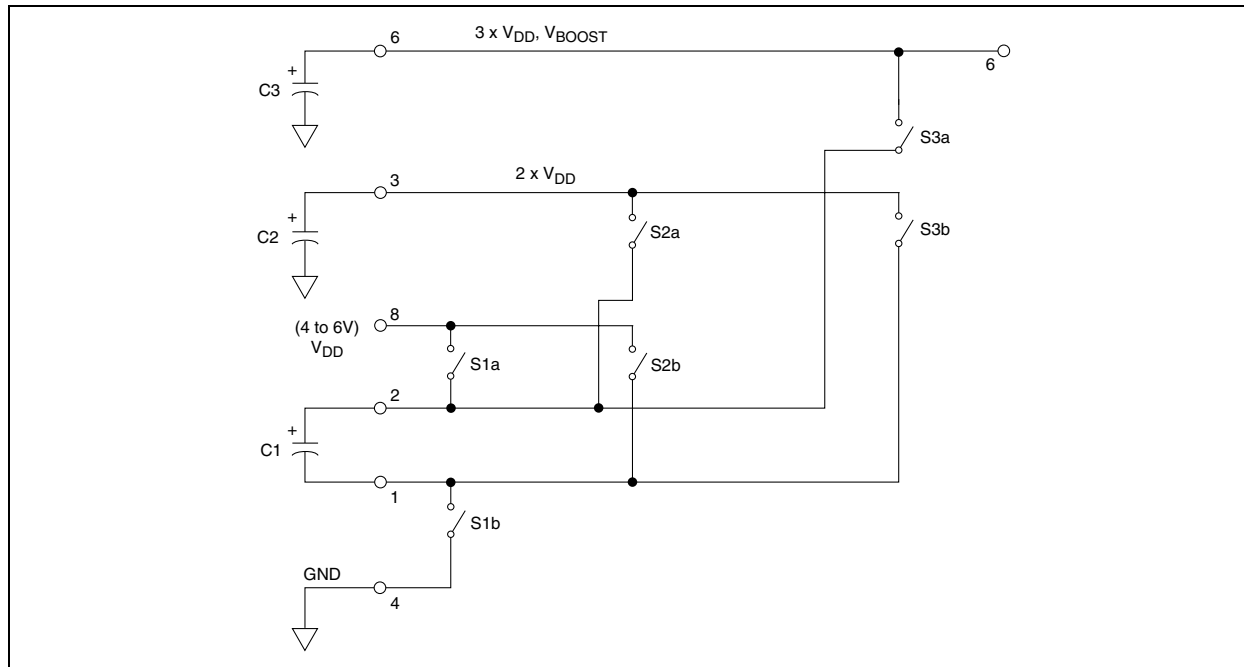
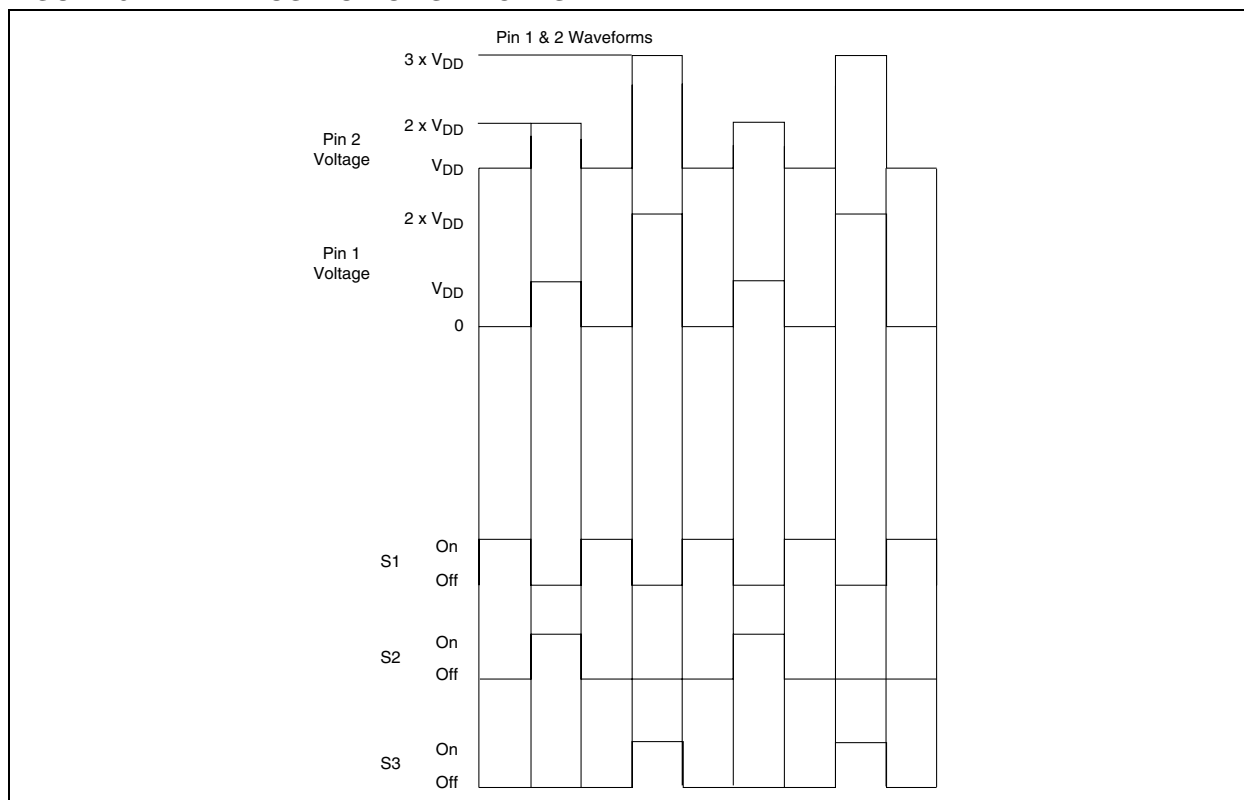
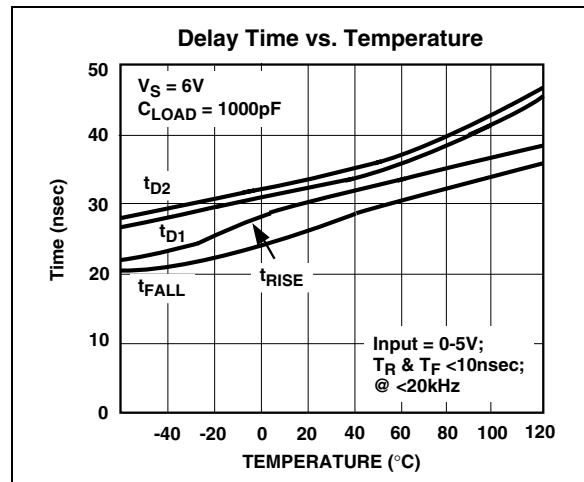
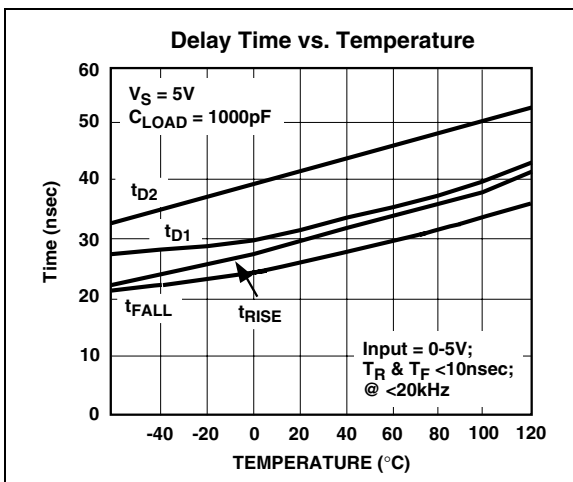
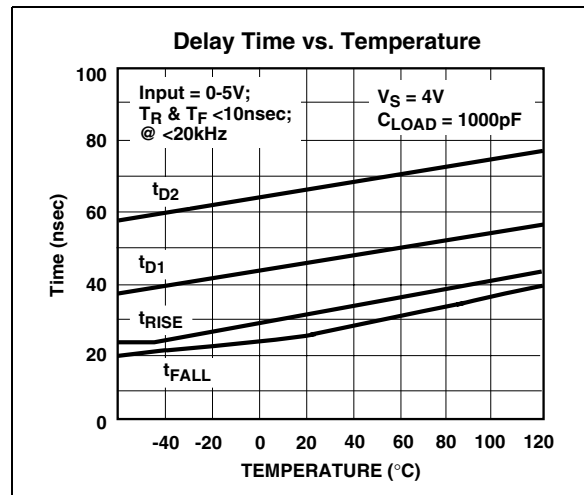
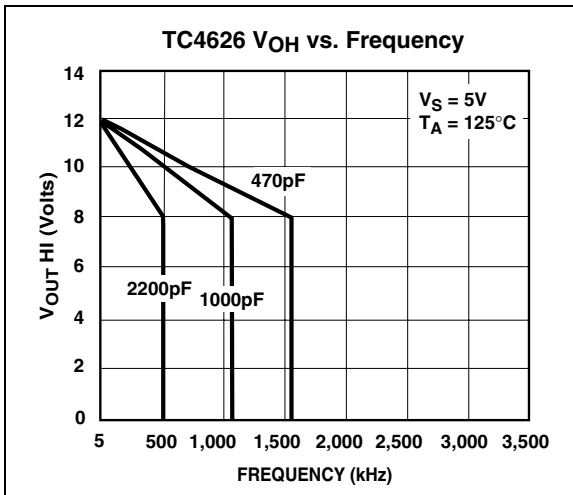
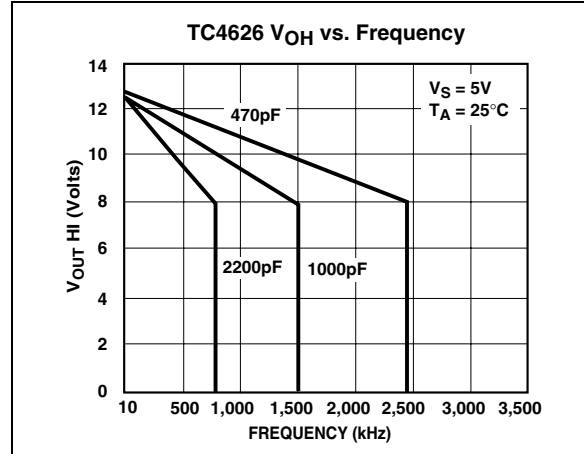
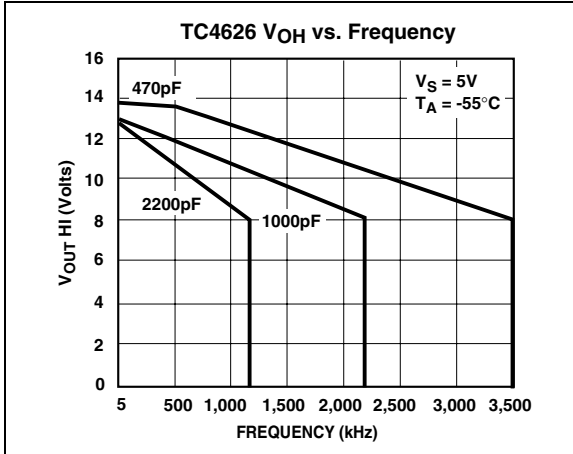


FIGURE 3-4: POSITION OF SWITCHES



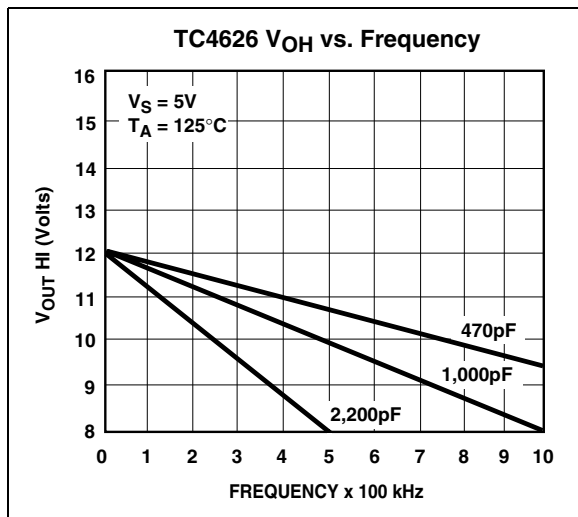
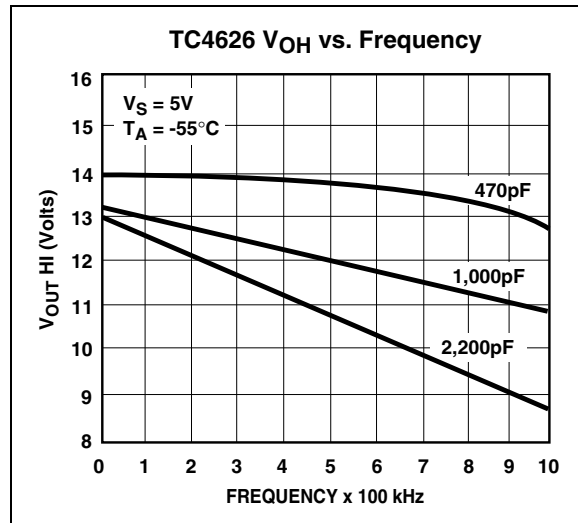
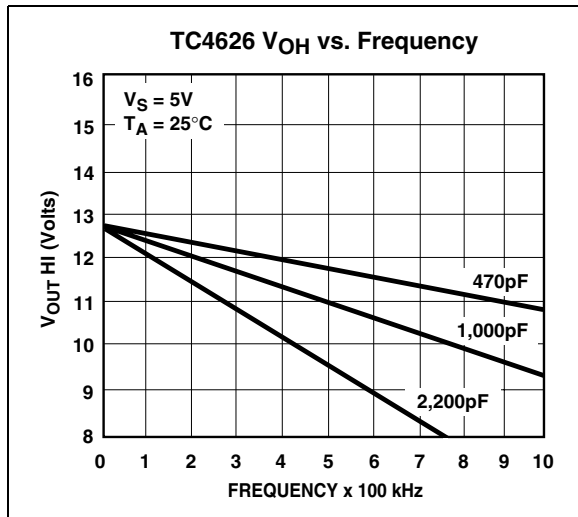
4.0 TYPICAL CHARACTERISTICS

Note: The graphs and tables provided following this note are a statistical summary based on a limited number of samples and are provided for informational purposes only. The performance characteristics listed herein are not tested or guaranteed. In some graphs or tables, the data presented may be outside the specified operating range (e.g., outside specified power supply range) and therefore outside the warranted range.



TC4626/TC4627

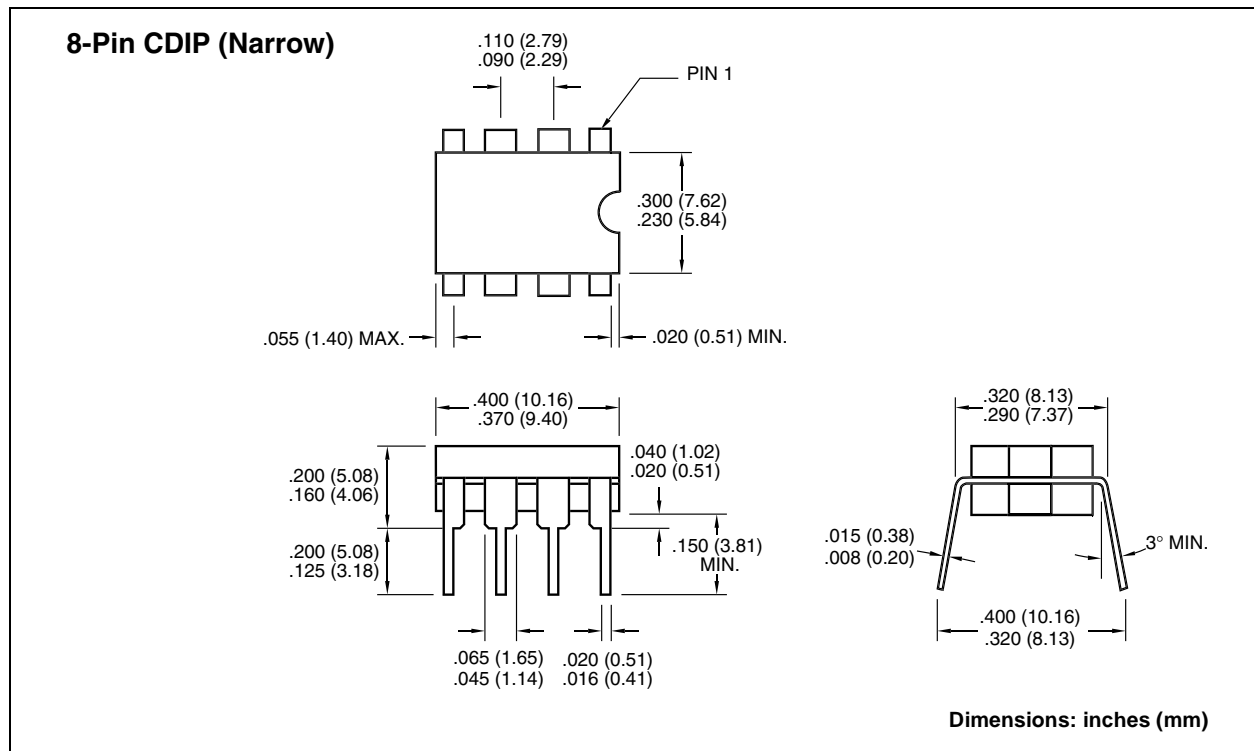
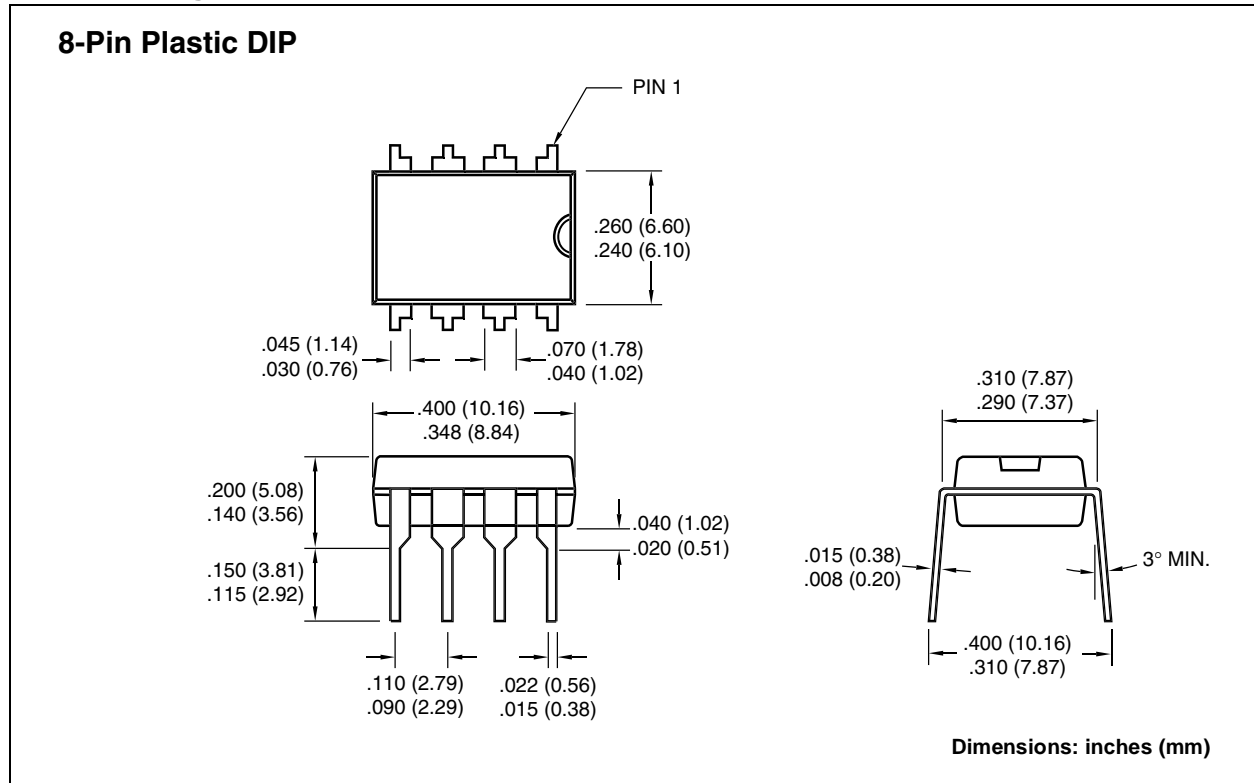
TYPICAL CHARACTERISTICS (CONTINUED)



5.0 PACKAGING INFORMATION

Package marking data not available at this time.

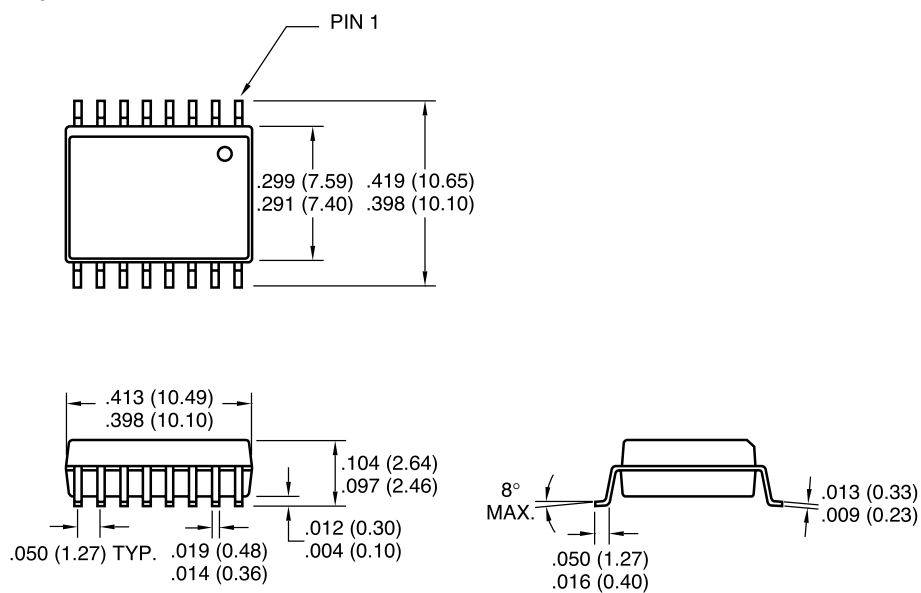
5.1 Package Dimensions



TC4626/TC4627

Package Dimensions (Continued)

16-Pin SOIC (Wide)



Dimensions: inches (mm)

Sales and Support

Data Sheets

Products supported by a preliminary Data Sheet may have an errata sheet describing minor operational differences and recommended workarounds. To determine if an errata sheet exists for a particular device, please contact one of the following:

1. Your local Microchip sales office
2. The Microchip Corporate Literature Center U.S. FAX: (480) 792-7277
3. The Microchip Worldwide Site (www.microchip.com)

Please specify which device, revision of silicon and Data Sheet (include Literature #) you are using.

New Customer Notification System

Register on our web site (www.microchip.com/cn) to receive the most current information on our products.

TC4626/TC4627

NOTES:

Information contained in this publication regarding device applications and the like is intended through suggestion only and may be superseded by updates. It is your responsibility to ensure that your application meets with your specifications. No representation or warranty is given and no liability is assumed by Microchip Technology Incorporated with respect to the accuracy or use of such information, or infringement of patents or other intellectual property rights arising from such use or otherwise. Use of Microchip's products as critical components in life support systems is not authorized except with express written approval by Microchip. No licenses are conveyed, implicitly or otherwise, under any intellectual property rights.

Trademarks


The Microchip name and logo, the Microchip logo, FilterLab, KEELOQ, microID, MPLAB, PIC, PICmicro, PICMASTER, PICSTART, PRO MATE, SEEVAL and The Embedded Control Solutions Company are registered trademarks of Microchip Technology Incorporated in the U.S.A. and other countries.

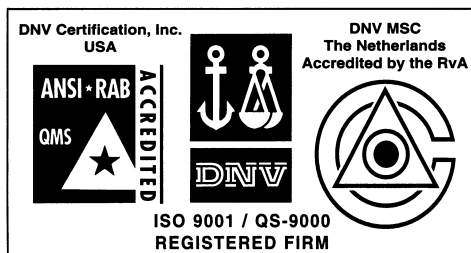
dsPIC, ECONOMONITOR, FanSense, FlexROM, fuzzyLAB, In-Circuit Serial Programming, ICSP, ICEPIC, microPort, Migratable Memory, MPASM, MPLIB, MPLINK, MPSIM, MXDEV, MXLAB, PICC, PICDEM, PICDEM.net, rPIC, Select Mode and Total Endurance are trademarks of Microchip Technology Incorporated in the U.S.A.

Serialized Quick Turn Programming (SQTP) is a service mark of Microchip Technology Incorporated in the U.S.A.

All other trademarks mentioned herein are property of their respective companies.

© 2002, Microchip Technology Incorporated, Printed in the U.S.A., All Rights Reserved.

 Printed on recycled paper.



Microchip received QS-9000 quality system certification for its worldwide headquarters, design and wafer fabrication facilities in Chandler and Tempe, Arizona in July 1999 and Mountain View, California in March 2002. The Company's quality system processes and procedures are QS-9000 compliant for its PICmicro® 8-bit MCUs, KEELOQ® code hopping devices, Serial EEPROMs, microperipherals, non-volatile memory and analog products. In addition, Microchip's quality system for the design and manufacture of development systems is ISO 9001 certified.



MICROCHIP

WORLDWIDE SALES AND SERVICE

AMERICAS

Corporate Office

2355 West Chandler Blvd.
Chandler, AZ 85224-6199
Tel: 480-792-7200 Fax: 480-792-7277
Technical Support: 480-792-7627
Web Address: <http://www.microchip.com>

Rocky Mountain

2355 West Chandler Blvd.
Chandler, AZ 85224-6199
Tel: 480-792-7966 Fax: 480-792-7456

Atlanta

500 Sugar Mill Road, Suite 200B
Atlanta, GA 30350
Tel: 770-640-0034 Fax: 770-640-0307

Boston

2 Lan Drive, Suite 120
Westford, MA 01886
Tel: 978-692-3848 Fax: 978-692-3821

Chicago

333 Pierce Road, Suite 180
Itasca, IL 60143
Tel: 630-285-0071 Fax: 630-285-0075

Dallas

4570 Westgrove Drive, Suite 160
Addison, TX 75001
Tel: 972-818-7423 Fax: 972-818-2924

Detroit

Tri-Atria Office Building
32255 Northwestern Highway, Suite 190
Farmington Hills, MI 48334
Tel: 248-538-2250 Fax: 248-538-2260

Kokomo

2767 S. Albright Road
Kokomo, Indiana 46902
Tel: 765-864-8360 Fax: 765-864-8387

Los Angeles

18201 Von Karman, Suite 1090
Irvine, CA 92612
Tel: 949-263-1888 Fax: 949-263-1338

New York

150 Motor Parkway, Suite 202
Hauppauge, NY 11788
Tel: 631-273-5305 Fax: 631-273-5335

San Jose

Microchip Technology Inc.
2107 North First Street, Suite 590
San Jose, CA 95131
Tel: 408-436-7950 Fax: 408-436-7955

Toronto

6285 Northam Drive, Suite 108
Mississauga, Ontario L4V 1X5, Canada
Tel: 905-673-0699 Fax: 905-673-6509

ASIA/PACIFIC

Australia

Microchip Technology Australia Pty Ltd
Suite 22, 41 Rawson Street
Epping 2121, NSW
Australia
Tel: 61-2-9868-6733 Fax: 61-2-9868-6755

China - Beijing

Microchip Technology Consulting (Shanghai)
Co., Ltd., Beijing Liaison Office
Unit 915
Bei Hai Wan Tai Bldg.
No. 6 Chaoyangmen Beidajie
Beijing, 100027, No. China
Tel: 86-10-85282100 Fax: 86-10-85282104

China - Chengdu

Microchip Technology Consulting (Shanghai)
Co., Ltd., Chengdu Liaison Office
Rm. 2401, 24th Floor,
Ming Xing Financial Tower
No. 88 TIDU Street
Chengdu 610016, China
Tel: 86-28-86766200 Fax: 86-28-86766599

China - Fuzhou

Microchip Technology Consulting (Shanghai)
Co., Ltd., Fuzhou Liaison Office
Unit 28F, World Trade Plaza
No. 71 Wusi Road
Fuzhou 350001, China
Tel: 86-591-7503506 Fax: 86-591-7503521

China - Shanghai

Microchip Technology Consulting (Shanghai)
Co., Ltd.
Room 701, Bldg. B
Far East International Plaza
No. 317 Xian Xia Road
Shanghai, 200051
Tel: 86-21-6275-5700 Fax: 86-21-6275-5060

China - Shenzhen

Microchip Technology Consulting (Shanghai)
Co., Ltd., Shenzhen Liaison Office
Rm. 1315, 13/F, Shenzhen Kerry Centre,
Renminnan Lu
Shenzhen 518001, China
Tel: 86-755-2350361 Fax: 86-755-2366086

China - Hong Kong SAR

Microchip Technology Hongkong Ltd.
Unit 901-6, Tower 2, Metroplaza
223 Hing Fong Road
Kwai Fong, N.T., Hong Kong
Tel: 852-2401-1200 Fax: 852-2401-3431

India

Microchip Technology Inc.
India Liaison Office
Divyasree Chambers
1 Floor, Wing A (A3/A4)
No. 11, O'Shaugnessey Road
Bangalore, 560 025, India
Tel: 91-80-2290061 Fax: 91-80-2290062

Japan

Microchip Technology Japan K.K.
Benex S-1 6F
3-18-20, Shinyokohama
Kohoku-Ku, Yokohama-shi
Kanagawa, 222-0033, Japan
Tel: 81-45-471-6166 Fax: 81-45-471-6122

Korea

Microchip Technology Korea
168-1, Youngbo Bldg. 3 Floor
Samsung-Dong, Kangnam-Ku
Seoul, Korea 135-882
Tel: 82-2-554-7200 Fax: 82-2-558-5934

Singapore

Microchip Technology Singapore Pte Ltd.
200 Middle Road
#07-02 Prime Centre
Singapore, 188980
Tel: 65-6334-8870 Fax: 65-6334-8850

Taiwan

Microchip Technology Taiwan
11F-3, No. 207
Tung Hua North Road
Taipei, 105, Taiwan
Tel: 886-2-2717-7175 Fax: 886-2-2545-0139

EUROPE

Denmark

Microchip Technology Nordic ApS
Regus Business Centre
Lautrup høj 1-3
Ballerup DK-2750 Denmark
Tel: 45 4420 9895 Fax: 45 4420 9910

France

Microchip Technology SARL
Parc d'Activite du Moulin de Massy
43 Rue du Saule Trapu
Batiment A - 1er Etage
91300 Massy, France
Tel: 33-1-69-53-63-20 Fax: 33-1-69-30-90-79

Germany

Microchip Technology GmbH
Gustav-Heinemann Ring 125
D-81739 Munich, Germany
Tel: 49-89-627-144 0 Fax: 49-89-627-144-44

Italy

Microchip Technology SRL
Centro Direzionale Colleoni
Palazzo Taurus 1 V. Le Colleoni 1
20041 Agrate Brianza
Milan, Italy
Tel: 39-039-65791-1 Fax: 39-039-6899883

United Kingdom

Microchip Ltd.
505 Eskdale Road
Winnersh Triangle
Wokingham
Berkshire, England RG41 5TU
Tel: 44 118 921 5869 Fax: 44-118 921-5820

05/01/02