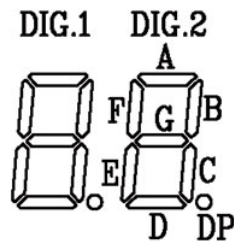
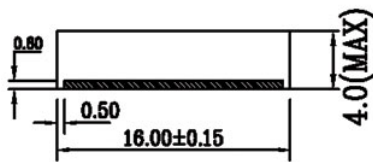
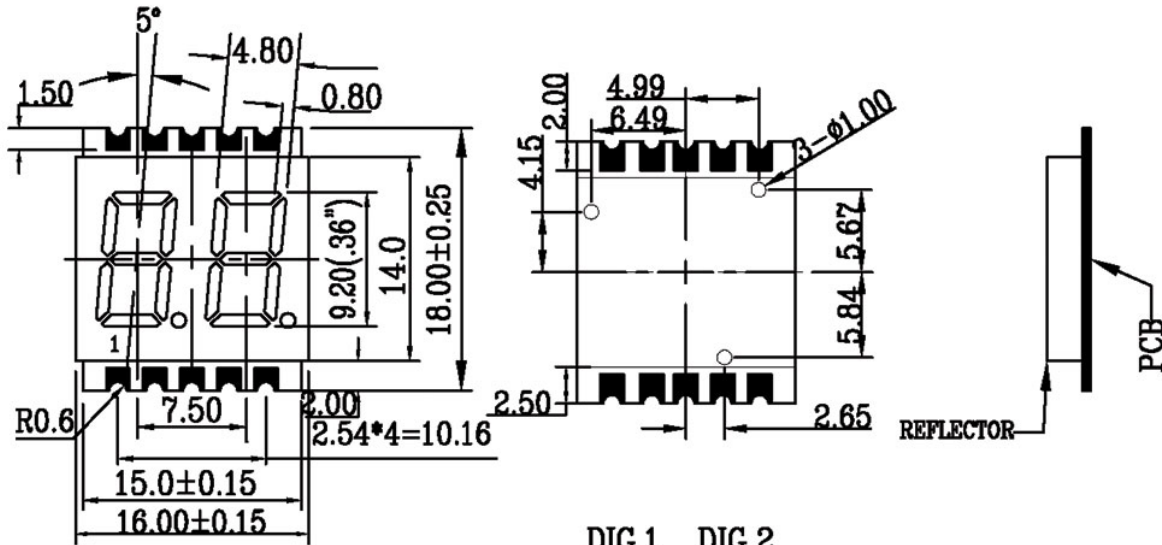


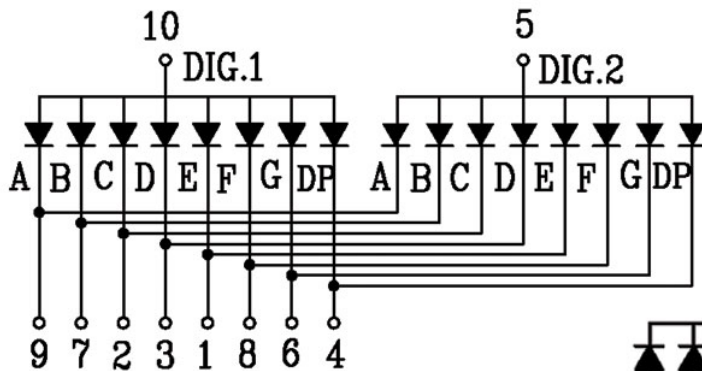


PACKAGE DIMENSIONS

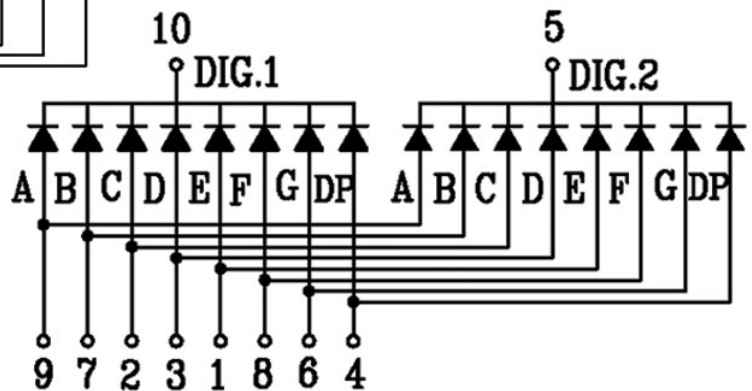


NORMAL TOLERANCE: ±0.10 ANGLE: ±1°

INTERNAL CIRCUIT DIAGRAM



SA20-036SX-TXX



SC20-036SX-TXX