

Multi-conductor Circular Optical Connector



- FSM Series represents high-performance multi-channel optical connectors. It allows combined optical and electrical connection.

FEATURE

- Change in connection loss due to attaching and removal: 0.3 dB or less
- Allows easy cleaning of ferrule end surface
- Protection of ferrule end surface

Use

- Devices for factory and office automation, broadcasting equipment, etc.

F
FSM

Specifications

Insert loss	Fiber	SM10/125	GI50/125
	Surface polishing	1.0 dB or less	0.7 dB or less
Operational temperature	-25 to +70°C		
Durability	500 times		
Applicable cable	AWG16		

■ Plug

FSM-P-8/2-210D-CF

Type of connector
P: Plug

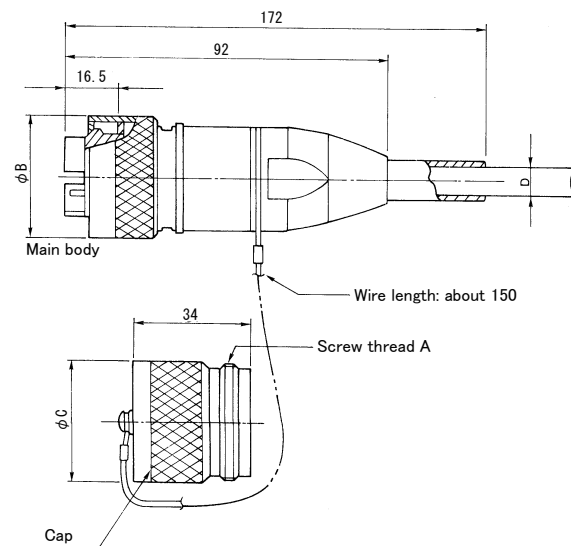
Number of channels

 Number of electric signals
 Total number of signals
 (Example) 8/2 Optical: 6, electric: 2

Applicable fiber
 0: GI50/125
 1: SM10/125

Applicable tension member diameter
 1: ϕ 1.0 ~ ϕ 1.4
 2: ϕ 1.41 ~ ϕ 2.0
 3: ϕ 2.01 ~ ϕ 2.4

Applicable cable diameter
 1: ϕ 5.0 ~ ϕ 8.0
 2: ϕ 8.1 ~ ϕ 11.0
 3: ϕ 11.1 ~ ϕ 14.0



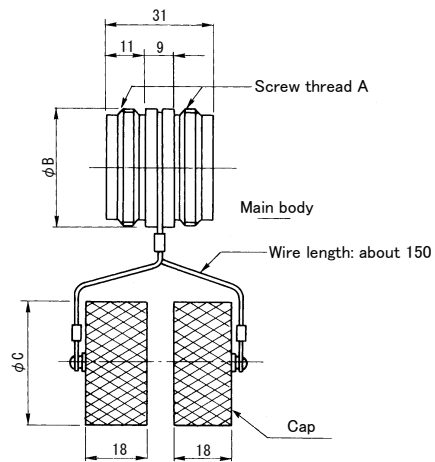
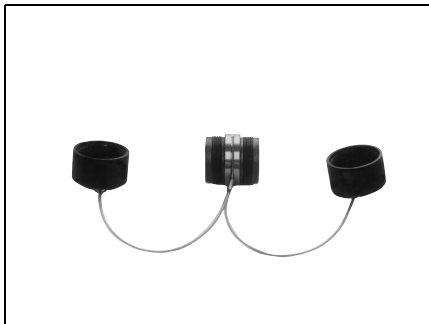
P/N	Connecting screw thread	Outer diameter of connector	Outer diameter of cap	Applicable cable
	A	B	C	D
FSM-P-2/0-□□□D-CF	M28 × 1	30	30	ϕ 5.0~11.0
FSM-P-4/0-□□□D-CF	M28 × 1	30	30	ϕ 5.0~11.0
FSM-P-4/2-□□□D-CF	M28 × 1	30	30	ϕ 5.0~11.0
FSM-P-6/0-□□□D-CF	M32 × 1.5	33	30	ϕ 5.0~14.0
FSM-P-8/0-□□□D-CF	M35 × 1.5	36	36	ϕ 5.0~14.0
FSM-P-8/2-□□□D-CF	M35 × 1.5	36	36	ϕ 5.0~14.0
FSM-P-10/0-□□□D-CF	M39 × 1.5	40	40	ϕ 5.0~14.0
FSM-P-12/0-□□□D-CF	M42 × 1.5	45	45	ϕ 5.0~14.0

■ Adapter

FSM-A-8/2-D-CF

Type of connector
A: Adapter

Number of channels
□ / □
Number of electric signals
Total number of signals
(Example) 8/2 R Optical: 6, electric: 2



F
FSM

P/N	Connecting screw thread	Outer diameter of connector	Outer diameter of cap
	A	B	C
FSM-A-2/0-D-CF	M28 × 1	30	32
FSM-A-4/0-D-CF	M28 × 1	30	32
FSM-A-4/2-D-CF	M28 × 1	30	32
FSM-A-6/0-D-CF	M32 × 1.5	33	35
FSM-A-8/0-D-CF	M35 × 1.5	36	40
FSM-A-8/2-D-CF	M35 × 1.5	36	40
FSM-A-10/0-D-CF	M39 × 1.5	40	42
FSM-A-12/0-D-CF	M42 × 1.5	45	45

Receptacle

FSM-R-8/2-0D-CF

Type of connector
R: Receptacle

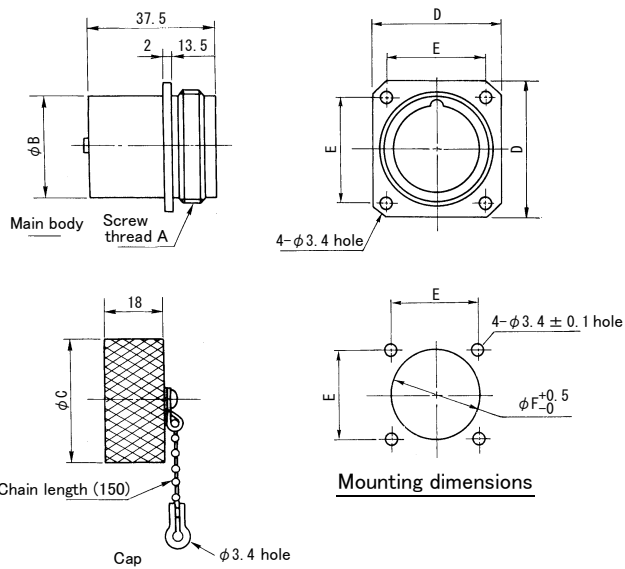
Number of channels
□ / □
Number of electric signals
Total number of signals
(Example) 8/2 Optical: 6, electric: 2

Applicable fiber
0: GI50/125
1: SM10/125

F
FSM

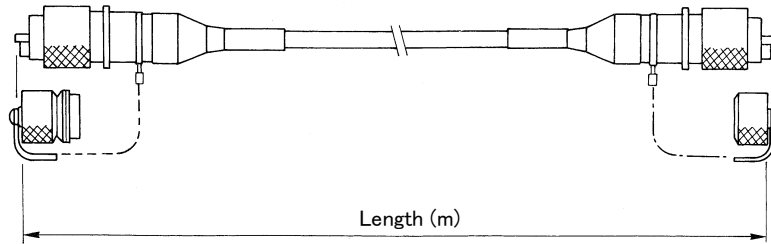


Note: This model branches to codes.

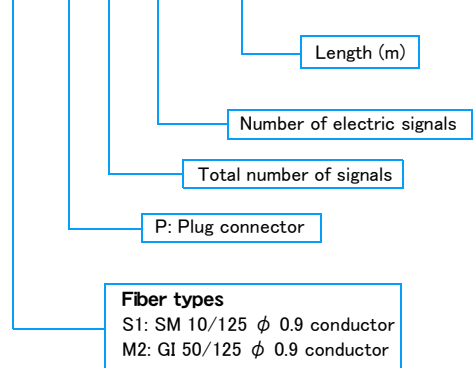


P/N	Connecting screw thread	Outer diameter of connector	Outer diameter of cap	Outer diameter of flange	Pitch of mounting hole	Diameter of mounting hole
	A	B	C	D	E	F
FSM-R-2/0-□D-CF	M28 × 1	27	32	37	29	27.5
FSM-R-4/0-□D-CF	M28 × 1	27	32	37	29	27.5
FSM-R-4/2-□D-CF	M28 × 1	27	32	37	29	27.5
FSM-R-6/0-□D-CF	M32 × 1.5	29	35	37	29	29.5
FSM-R-8/0-□D-CF	M35 × 1.5	31	40	37	29	32
FSM-R-8/2-□D-CF	M35 × 1.5	31	40	37	29	32
FSM-R-10/0-□D-CF	M39 × 1.5	36	42	40	32	37
FSM-R-12/0-□D-CF	M42 × 1.5	37	45	44	35	38

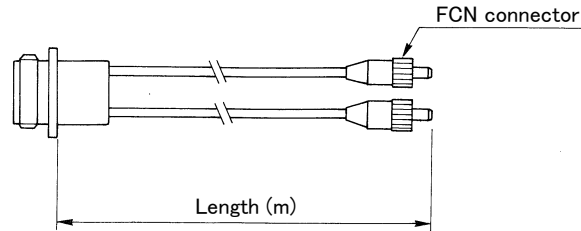
Optical Fiber Cable with Connector



FOJ-FSMS1-P-2/0-()M-CF



Optical Fiber Cable with FCN Connector (with cap)



F
FSM

FOJ-FSMS2-R-2/0-()M-CF

