



IRN, ULN, IRF, ULF SLIM PROFILE WIRE WOUND, METAL CLAD RESISTORS



The IRN(N=narrow and flat) & IRF(F=flat) models are metal-clad, wire-wound, high-power, extremely low inductance resistors designed for industrial and other applications where space is at a premium and performance is a must. The ULN and ULF are UL approved versions of these models. Our extruded aluminum housing provides rugged and strong protection. The flat design allows excellent heat dissipation. These models are available with flying leads or tab terminals. The most common applications for these models are motor drives, braking and snubber applications and power sources for industrial equipment.

GENERAL SPECIFICATIONS

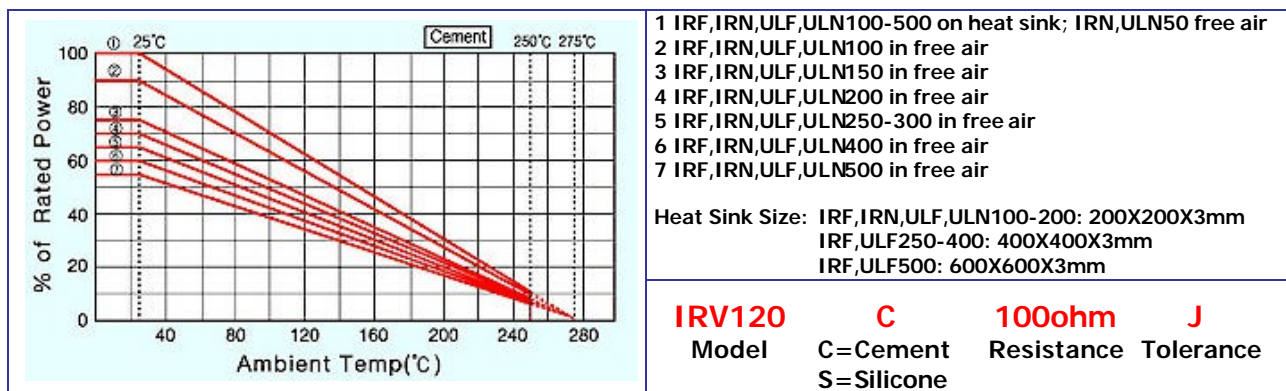
Model	Wattage Rating on Heat Sink	Resistance Range [ohms]	Tolerances
IRN50/ULN50	50W	1-420	+-0.5(D) +-1.0(F) +-2.0(G) +-5.0(J) +-10(K)
IRN100/ULN100	100W	1-1.1K	
IRN150/ULN150	150W	1-1.75K	
IRF100/ULF100	100W	1-1.1K	
IRF150/ULF150	150W	1-1.75K	
IRF200/ULF200	200W	1-2.2K	
IRF250/ULF250	250W	1-2.79K	
IRF300/ULF300	300W	1-3.5K	
IRF400	400W	1-4.45K	
ULF400	400W	1-3.08K	
IRF500	500W	1-5.78K	
ULF500	500W	1-2.46K	

CHARACTERISTICS

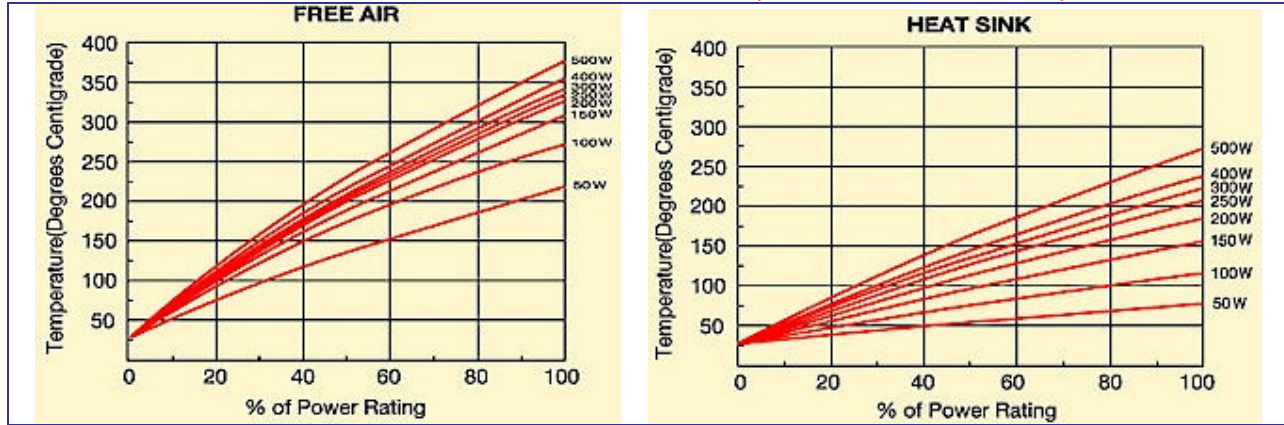
1/Temperature Range	Cement: -55C to +200C, Silicone: -55-150C	
2/Insulation Resistance	20Mohms minimum	
3/Dielectric Strength	IRN/IRF	Available options: AC1500V, 2500V, 3000V, 4500V; Max. leakage current: 2mA
	ULN/ULF	Less than 50V: 500V 1 min. 50-600V: [1000V+(voltage rating X 2) 1 min. 601-1500V: [2000V+(voltage rating X 2.25) 1 min.
4/Temp. Coefficient	+-260ppm/C maximum	
5/Short Time Overload	+-[1%+0.05 ohms]	5 X Power Rating-5sec.
6/Moisture Resistance	+-[2%+0.05 ohms]	40C, 95% RH, DC100V case to terminal (500hrs.)
7/Thermal Shock	+-[1%+0.05 ohms]	Power rating 30min., -25C, 15minutes
8/Vibration	+-[1%+0.05 ohms]	10Hz-55Hz-10Hz (1min.), 2hrs. each direction
9/Moisture Load Life	+-[2%+0.05 ohms]	40C,95% RH, 0.1 X Power rating, 1.5h. on, 30min. off, 500 hours
10/Load Life	+-[5%+0.05 ohms]	Power rating, 1.5h. on, 30min. off, 500 hours

Note: ULN/ULF dielectric strength options of 1500V, 3500V, 4500V are also available.
Optional dielectric strength must be higher than standard (calculated by formula)

DERATING CURVE AND ORDERING PROCEDURE EXAMPLE

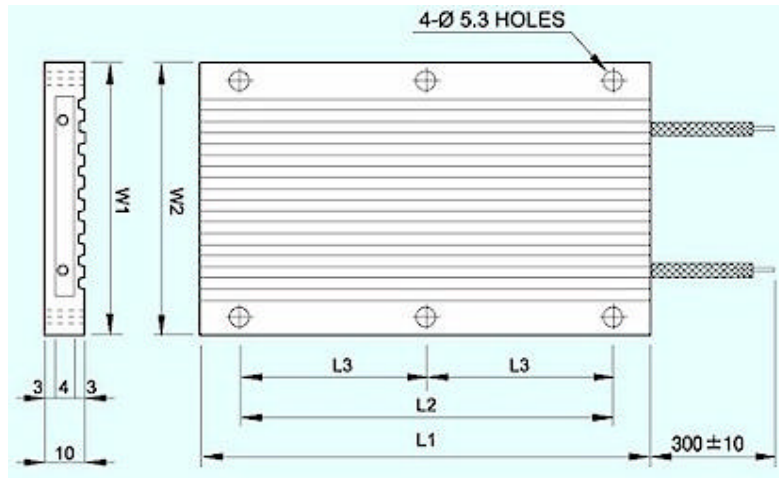


SURFACE TEMPERATURE INCREASE VERSUS POWER LOAD (Heatsink size 400X400X3mm)



DIMENSIONS

Model	Dimensions [mm]				Weight [g]
	L1+-1	L2+-0.3	W1+-0.3	W2+-0.3	
IRN50/ULN50	70	50	60	50	100
IRN100/ULN100	120	100	60	50	160
IRN150/ULN150	170	150	60	50	220
IRF100/ULF100	90	70	80	70	155
IRF150/ULF150	120	100	80	70	200
IRF200/ULF200	150	130	80	70	245
IRF250/ULF250	180	160	80	70	290
IRF300/ULF300	210	190	80	70	335
IRF400/ULF400	270	250	80	70	430
IRF500/ULF500	330	310	80	70	525



FLYING LEADS

Model	2mm ²	1.25mm ²	UL 3512 AWG 16
IRN/F 50-150	-	1ohm	-
IRF200	1-4ohm	4.1ohm	-
IRF250	1-5ohm	5.1ohm	-
IRF300	1-6ohm	6.1ohm	-
IRF400	1-8ohm	8.1ohm	-
IRF500	1-10ohm	10.1ohm	-
ULN/F 50-500	-	-	1ohm

Internal and discreet connection thermostat options are available for these models. Please contact RARA for information.

Web: www.rhpointcomponents.com Email: sales@rhpointcomponents.com