



P/N:FB2022 LF DATA SHEET

Feature

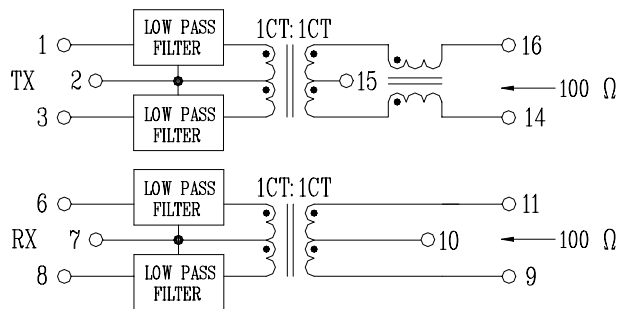


- Designed for transmit/receiver Filter.
- Comply with RoHS requirements-whole part No Cd, No Hg, No Cr6+, No PBB and PBDE and No Pb on external pins.
- Operating temperature range :0 to +70 .
- Storage temperature range: -25 to +125 .

Electrical Specifications @ 25°C				
Part Number	Turns Ratio		CUT-OFF Frequency	HI-POT (Vrms)
	TX	RX		
FB2022 LF	1CT:1CT	1CT:1CT	17MHz±1.5MHz	1500

Continue						
Part Number	Insertion Loss (dB Max)TX/RX	Return Loss (dB Min)TX/RX	Attenuation (dB Min)TX/RX			Cross talk Attenuation (dB Min)
	1-10MHz	1-12MHz	20MHz	30MHz	40MHz	1-10MHz
FB2022 LF	-1.0	-15/-15	-6.8/-4.2	-27/-20	-32/-32	-30

Schematic



Mechanical

