

# 10 BASE-T ETHERNET SMD PCMCIA FILTER

P/N:FS1124 APPLY TO GENERIC IC

## Feature

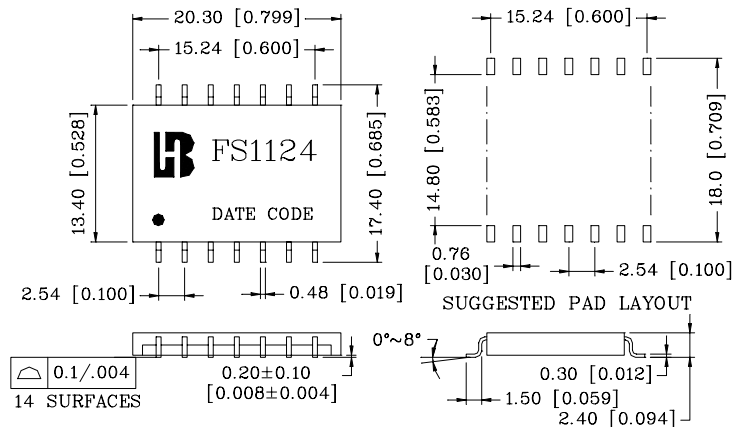
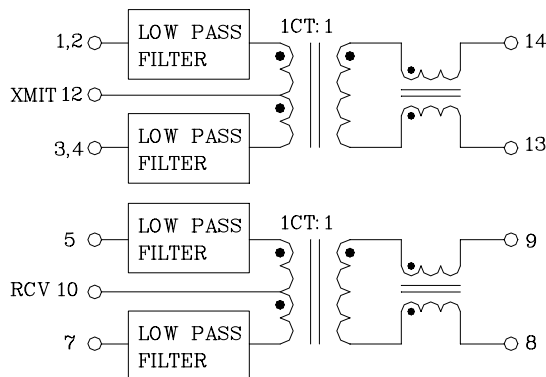


- Designed for 10 BASE-T, PCMCIA ICs application.
- Fully compatible with IEEE 802.3 standard.
- 14-PIN SMD low profile package with height 2.5mm Max.
- Operating temperature range: 0°C to +70°C.
- Storage temperature range: -25°C to +125°C.

Electrical Specifications @ 25°C									
Part Number	Turns Ratio (±5%)		CUT-OFF Frequency TX/RX	TYPE (POLE)		Voltage Isolation (Vrms)			
	TX	RX		TX	RX				
FS1124	1CT:1	1CT:1	17 MHz ± 1.5MHz	7	5	1500			
Continue									
Part Number	Insertion Loss TX/RX(dB Max)	Attenuation TX/RX(dB Min)				Return Loss TX/RX(dB Min)	Cross talk Attenuation (dB Min)	Common Mode Rejection TX/RX(dB Min)	
	1-10MHz	20MHz	25MHz	30MHz	40MHz	5-10MHz	1-10 MHz	30-100MHz	
FS1124	-1.0	-4.5/-5	-18/-11	-28/-16	-33/-26	-13	-30	-30	

## Schematic

## Mechanical



Units: mm[Inches] Tolerances: xx.x0±0.25[0.010]  
0.xx±0.05[0.002]