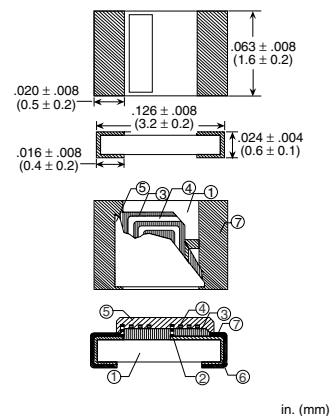


SML1206 Thin Film RF Inductors



PART NUMBER	L TOL. nH	Q TYP.	TEST FREQ. MHz	SRF MHz TYP.	DCR OHMS TYP.	CURRENT RATING DC mA TYP.	MARKING
SML1206-0022	2.2 ± .2nH	32	500	9000	.07	1000	2N2
SML1206-0027	2.7 ± .2nH	38	500	7000	.07	1000	2N7
SML1206-0033	3.3 ± .2nH	40	500	6000	.08	1000	3N3
SML1206-0039	3.9 ± .2nH	42	500	5000	.10	900	3N9
SML1206-0047	4.7 ± .2nH	44	500	4500	.11	900	4N7
SML1206-0056J	5.6 ± 5%	44	500	4000	.13	900	5N6
SML1206-0068J	6.8 ± 5%	40	500	3500	.15	800	6N8
SML1206-0082J	8.2 ± 5%	40	500	3000	.18	800	8N2
SML1206-0100J	10.0 ± 5%	44	500	2900	.21	800	10N
SML1206-0120J	12.0 ± 5%	42	500	2700	.22	800	12N
SML1206-0150J	15.0 ± 5%	42	500	2400	.30	500	15N
SML1206-0180J	18.0 ± 5%	42	500	2100	.37	500	18N
SML1206-0220J	22.0 ± 5%	42	500	1940	.45	500	22N
SML1206-0270J	27.0 ± 5%	30	200	1680	.58	500	27N
SML1206-0330J	33.0 ± 5%	28	200	1500	.69	400	33N
SML1206-0390J	39.0 ± 5%	28	200	1300	.78	400	39N
SML1206-0470J	47.0 ± 5%	28	200	1270	.85	250	47N
SML1206-0560J	56.0 ± 5%	18	200	600	1.50	250	56N
SML1206-0680J	68.0 ± 5%	17	200	570	1.60	250	68N
SML1206-0820J	82.0 ± 5%	18	200	480	1.80	250	82N
SML1206-1000J	100.0 ± 5%	19	200	470	1.90	250	100



in. (mm)

- | | | |
|-----------------------------|---------------------|----------------------|
| ① Alumina Ceramic Substrate | ④ Cross Conductor | ⑦ Polimide Insulator |
| ② Cu Plating Coil Pattern | ⑤ Epoxy Passivation | ⑧ Ni Barrier |
| ③ Solder Coating | | |

NOTES:

- Operating temperature -40°C to +125°C

TAPE AND REEL SPECS:

Pcs./Reel maximum:	4000
Pitch between parts:	4 mm
Tape width:	8 mm
Reel diameter inches:	7