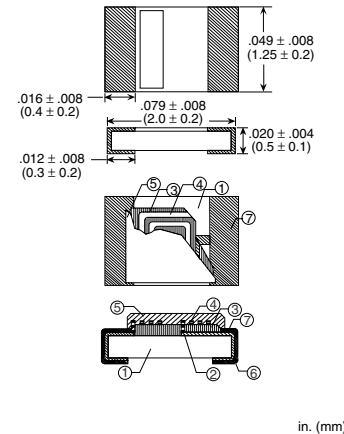


SML0805LF RoHS Thin Film RF Inductors



PART NUMBER	L nH	TOL. nH	Q TYP.	TEST FREQ. MHz	SRF MHz TYP.	DCR OHMS TYP.	CURRENT RATING DC mA TYP.	MARKING
SML0805-0010LF	1.0	±.2nH	24	500	13000	.03	900	1.0
SML0805-0012LF	1.2	±.2nH	24	500	13000	.04	900	1.2
SML0805-0015LF	1.5	±.2nH	24	500	10000	.05	900	1.5
SML0805-0018LF	1.8	±.2nH	28	500	9000	.06	900	1.8
SML0805-0022LF	2.2	±.2nH	28	500	8000	.07	800	2.2
SML0805-0027LF	2.7	±.2nH	28	500	8000	.09	800	2.7
SML0805-0033LF	3.3	±.2nH	28	500	6000	.10	800	3.3
SML0805-0039LF	3.9	±.2nH	29	500	6000	.12	800	3.9
SML0805-0047LF	4.7	±.2nH	30	500	5000	.16	700	4.7
SML0805-0056JLF	5.6	± 5%	30	500	4500	.18	700	5.6
SML0805-0068JLF	6.8	± 5%	30	500	4000	.26	500	6.8
SML0805-0082JLF	8.2	± 5%	30	500	3000	.28	500	8.2
SML0805-0100JLF	10.0	± 5%	32	500	2750	.36	450	10
SML0805-0120JLF	12.0	± 5%	30	500	2500	.38	450	12
SML0805-0150JLF	15.0	± 5%	28	500	2250	.40	400	15
SML0805-0180JLF	18.0	± 5%	22	500	1600	1.00	300	18
SML0805-0220JLF	22.0	± 5%	22	500	1450	1.10	300	22
SML0805-0270JLF	27.0	± 5%	15	200	1350	1.20	300	27
SML0805-0330JLF	33.0	± 5%	17	200	1200	1.30	300	33
SML0805-0390JLF	39.0	± 5%	17	200	1000	1.40	250	39
SML0805-0470JLF	47.0	± 5%	17	200	950	1.50	250	47
SML0805-0560JLF	56.0	± 5%	15	200	800	3.50	150	56
SML0805-0680JLF	68.0	± 5%	15	200	700	3.50	150	68
SML0805-0820JLF	82.0	± 5%	15	200	600	4.00	150	82



in. (mm)

- | | | |
|-----------------------------|---------------------|----------------------|
| ① Alumina Ceramic Substrate | ② Cross Conductor | ③ Polimide Insulator |
| ④ Cu Plating Coil Pattern | ⑤ Epoxy Passivation | ⑥ Ni Barrier |
| ⑦ Solder Coating | | |

NOTES:

- Operating temperature -40°C to +125°C

TAPE AND REEL SPECS:

Pcs./Reel maximum:	4000
Pitch between parts:	4 mm
Tape width:	8 mm
Reel diameter inches:	7