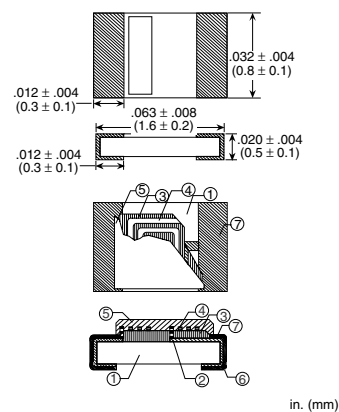


SML0603LF RoHS Thin Film RF Inductors



PART NUMBER	L nH	TOL.	Q TYP.	TEST FREQ. MHz	SRF MHz TYP.	DCR OHMS TYP.	CURRENT RATING DC mA TYP.	MARKING
SML0603-0010LF	1.0	± .2nH	13	500	13000	.05	650	L1
SML0603-0012LF	1.2	± .2nH	15	500	13000	.06	650	L2
SML0603-0015LF	1.5	± .2nH	20	500	10000	.07	650	L3
SML0603-0018LF	1.8	± .2nH	20	500	10000	.08	650	L4
SML0603-0022LF	2.2	± .2nH	25	500	8000	.09	500	22
SML0603-0027LF	2.7	± .2nH	25	500	8000	.10	500	27
SML0603-0033LF	3.3	± .2nH	25	500	6000	.11	500	33
SML0603-0039LF	3.9	± .2nH	25	500	6000	.12	500	39
SML0603-0047LF	4.7	± .2nH	25	500	5000	.15	500	47
SML0603-0056JLF	5.6	± 5%	25	500	5000	.22	500	56
SML0603-0068JLF	6.8	± 5%	25	500	4000	.26	500	68
SML0603-0082JLF	8.2	± 5%	25	500	3000	.30	500	82
SML0603-0100JLF	10.0	± 5%	25	500	3000	.42	450	10
SML0603-0120JLF	12.0	± 5%	25	500	2700	.46	400	12
SML0603-0150JLF	15.0	± 5%	25	500	2400	.60	350	15
SML0603-0180JLF	18.0	± 5%	12	200	1700	.90	350	H1
SML0603-0220JLF	22.0	± 5%	13	200	1500	1.10	300	H2
SML0603-0270JLF	27.0	± 5%	13	200	1400	1.40	300	H3
SML0603-0330JLF	33.0	± 5%	14	200	1300	1.60	250	H4
SML0603-0390JLF	39.0	± 5%	14	200	1100	1.70	250	H5
SML0603-0470JLF	47.0	± 5%	13	200	1000	1.90	250	H6
SML0603-0560JLF	56.0	± 5%	13	200	800	3.50	100	H7
SML0603-0680JLF	68.0	± 5%	13	200	700	4.00	100	H8
SML0603-0820JLF	82.0	± 5%	13	200	600	4.50	100	H9



- | | | |
|-----------------------------|---------------------|----------------------|
| ① Alumina Ceramic Substrate | ② Cross Conductor | ③ Polimide Insulator |
| ④ Cu Plating Coil Pattern | ⑤ Epoxy Passivation | ⑥ Ni Barrier |
| ⑦ Solder Coating | | |

NOTES:

- Operating temperature -40°C to +125°C

TAPE AND REEL SPECS:

Pcs./Reel maximum:	4000
Pitch between parts:	4 mm
Tape width:	8 mm
Reel diameter inches:	7