



# Frontier Electronics Corp.

667 E. COCHRAN STREET, SIMI VALLEY, CA 93065

TEL: (805) 522-9998 FAX: (805) 522-9989

E-mail: [frontiersales@frontierusa.com](mailto:frontiersales@frontierusa.com)

Web: [frontierusa.com](http://frontierusa.com)

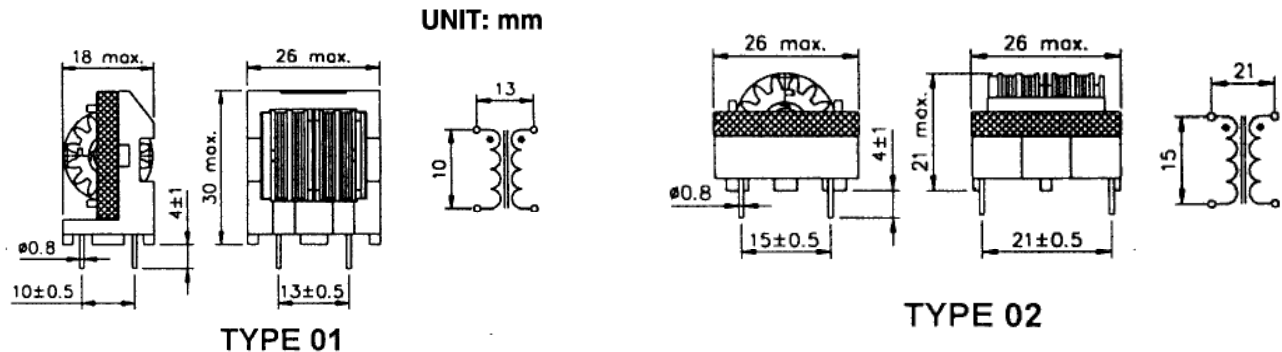
## Common Mode Line Filters—CFS24xx series

### A. Specifications:

Part Number	Inductance (mH)	DCR (OHMS) Max.	Rated Current (A) RMS.
CFS24xx-01	2.7	0.15	2.0
CFS24xx-02	3.9	0.22	1.7
CFS24xx-03	6.8	0.40	1.3
CFS24xx-04	10	0.50	1.0
CFS24xx-05	20	0.90	0.8
CFS24xx-06	25	1.50	0.7
CFS24xx-07	33	1.60	0.6
CFS24xx-08	60	3.00	0.5
CFS24xx-09	80	3.80	0.4
CFS24xx-10	120	6.50	0.3

Note: xx means: Type “01” or “02”.

### B. Mechanical Dimensions:



### C. General information:

1. Test Condition: 1.0KHz / 1V.
2. Electrical specifications at 25°C.
3. Temperature Rise: 45°C.
4. Operating temperature: -20°C TO +105°C.
5. Insulation Resistance: 100M OHMS at 500VDC.
6. Rated Voltage: 100V to 270V / 50-60 Hz.
7. Hi-Pot Voltage: 1500VAC for one minute between line.

★ Custom specifications are available.

Note: **RoHS** compliant; for the **ROHS** parts, we add “-LFR” at the end of the P/N.