

INTRODUCTION:

Adam Tech Straight PCB tail D-Sub connectors are a popular interface for many I/O applications. Offered in 9, 15, 25, 37 and 50 positions they are an excellent choice for a low cost, sturdy, full metal body industry standard connection. These connectors are manufactured with precision stamped contacts offering a choice of contact plating and a wide selection of mating and mounting options.

FEATURES:

- Industry standard compatibility
- Durable metal shell design
- Precision formed bifurcated contacts
- Variety of Mating and mounting options

MATING CONNECTORS:

Adam Tech D-Subminiatures and all industry standard D-Subminiature connectors.

SPECIFICATIONS:

Material:

- Insulator: PBT, 30% glass reinforced, rated UL94V-0
- Insulator Colors: Black (White optional)
- Contacts: Phosphor Bronze
- Shell: Steel, Tin or Zinc plated
- Hardware: Brass, Nickel plated

Contact Plating:

Gold Flash (15 and 30 µin Optional) over Nickel.

Electrical:

- Operating voltage: 250V AC / DC max.
- Current rating: 5 Amps max.
- Contact resistance: 20 mΩ max. initial
- Insulation resistance: 5000 MΩ min.
- Dielectric withstanding voltage: 1000V AC for 1 minute

Mechanical:

- Insertion force: 0.75 lbs max
- Extraction force: 0.44 lbs min

Temperature Rating:

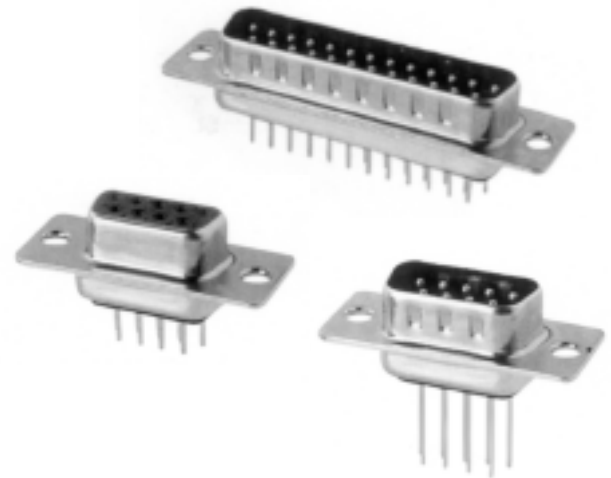
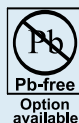
Operating temperature: -65°C to +125°C

PACKAGING:

Anti-ESD plastic trays

APPROVALS AND CERTIFICATIONS:

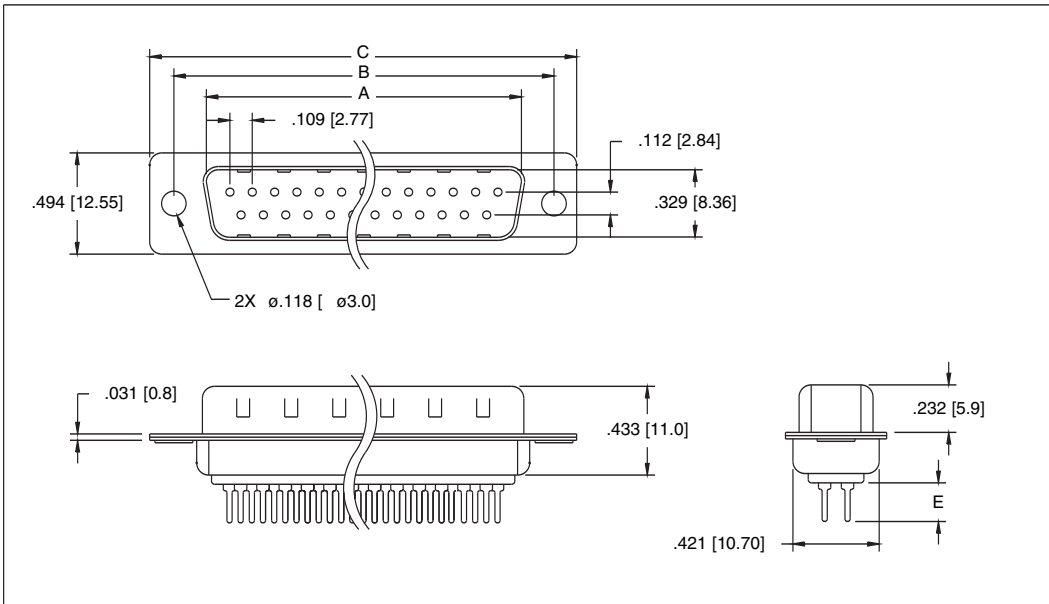
- UL Recognized File No. E224053
- CSA Certified File No. LR1578596



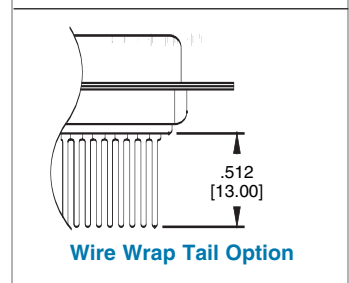
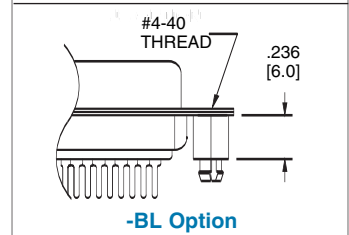
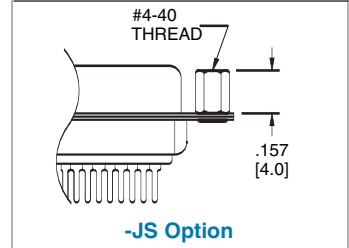
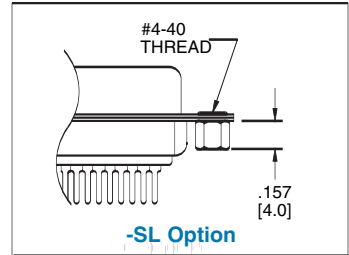
ORDERING INFORMATION

DB25	ST	1	SL
<p>SHELL SIZE/ POSITIONS</p> <p>DE09 = 9 Position DA15 = 15 Position DB25 = 25 Position DC37 = 37 Position DD50 = 50 Position</p>	<p>CONTACT TYPE</p> <p>PT = Plug, Straight PCB Tail, Standard Profile ST = Socket, Straight PCB Tail, Standard Profile PE = Plug, Straight PCB Tail, High Profile SE = Socket, Straight PCB Tail, High Profile</p>	<p>TERMINAL LENGTH</p> <p>1 = Standard tail length for .062" - .125" PC Boards (E = .180") 2 = Wire wrap tail (PT/ST contact type only) (E = .500")</p>	<p>MOUNTING OPTIONS</p> <p>Blank = .120" Mounting Holes SL = Riveted #4-40 Clinch Nuts JS = Riveted #4-40 Jackscrews BL = Riveted #4-40 Standoffs with Boardlocks</p>
<p>OPTIONS: Add designator(s) to end of part number</p> <p>30 = 30 µin gold plating in contact area EMI = Ferrite filtered version for EMI/RFI Suppression RC = RoHS compliant lead-free product with Hi-Temp insulator</p>			

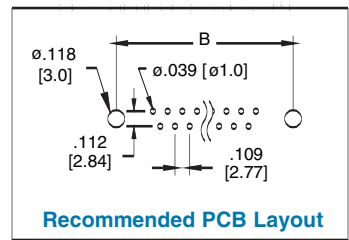
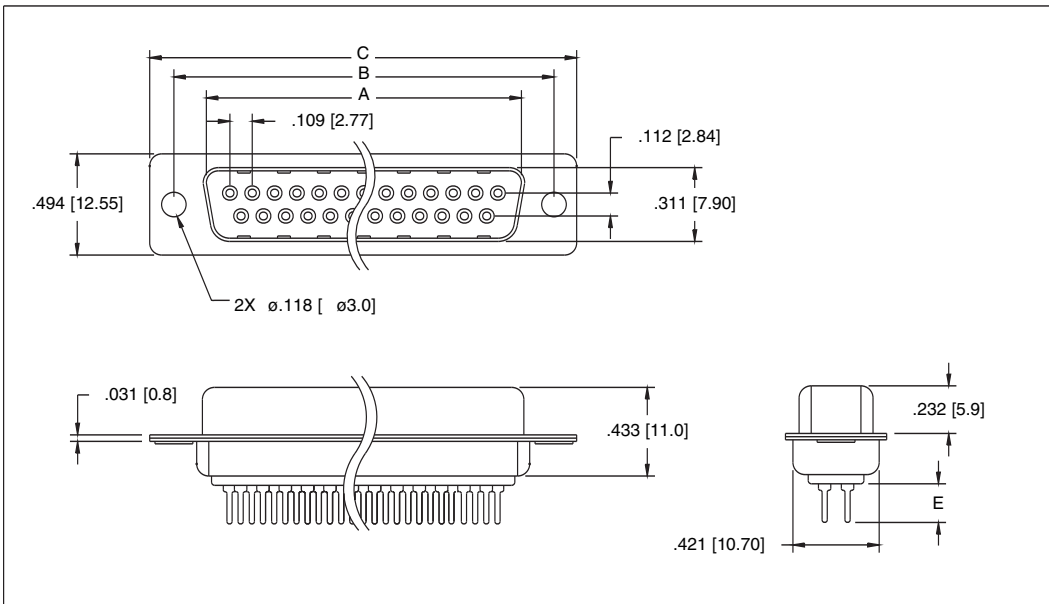
PLUG



MOUNTING OPTIONS



SOCKET



Unit: Inch / mm

POSITIONS	Socket Dimensions				POSITIONS	Plug Dimensions			
	A	B	C	E		A	D	C	E
9	.643 (16.33)	.984 (24.99)	1.213 (30.81)	.189 [4.80] OR .512 [13.00]	9	.666 (16.92)	.984 (24.99)	1.213 (30.81)	.189 [4.80] OR .512 [13.00]
15	.971 (24.66)	1.312 (33.32)	1.541 (39.14)		15	.994 (25.25)	1.312 (33.32)	1.541 (39.14)	
25	1.511 (38.38)	1.852 (47.04)	2.088 (53.04)		25	1.534 (38.96)	1.852 (47.04)	2.088 (53.04)	
37	2.159 (54.84)	2.500 (63.50)	2.729 (69.32)		37	2.182 (55.42)	2.500 (63.50)	2.729 (69.32)	
50	2.064 (52.43)	2.406 (61.11)	2.635 (66.93)		50	2.079 (52.81)	2.406 (61.11)	2.635 (66.93)	