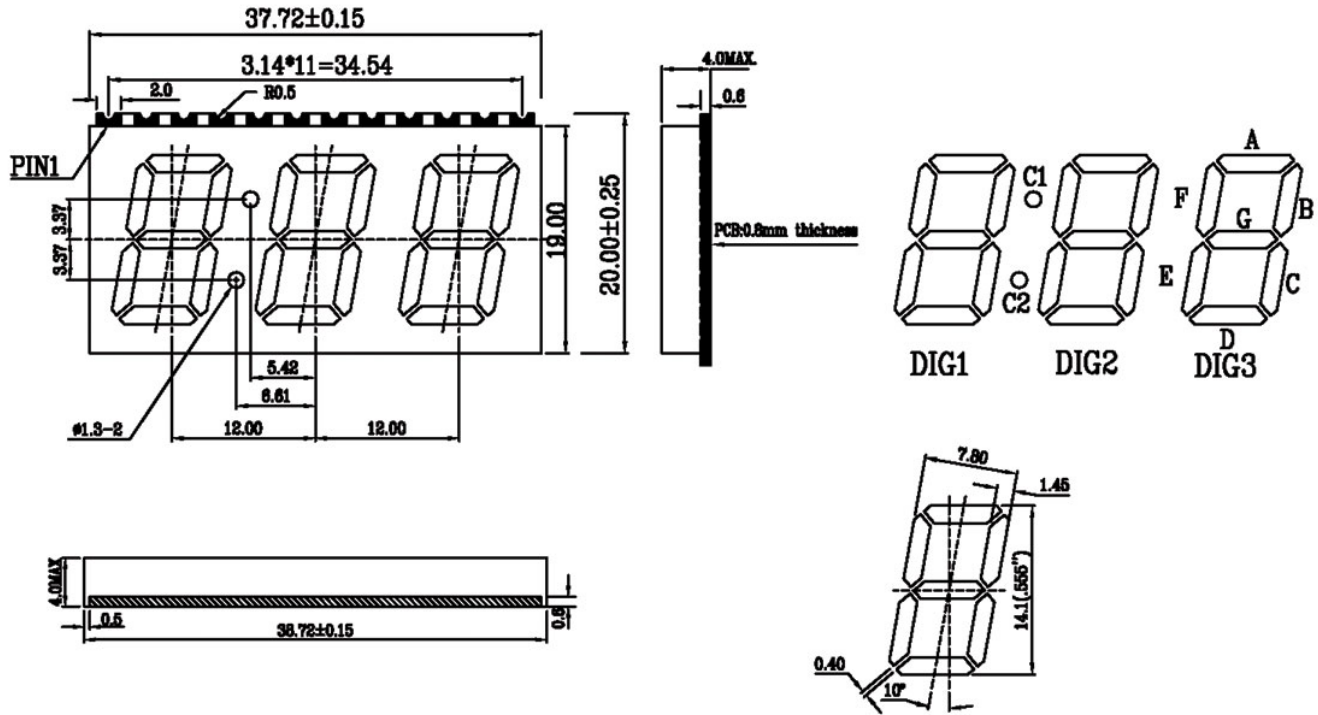


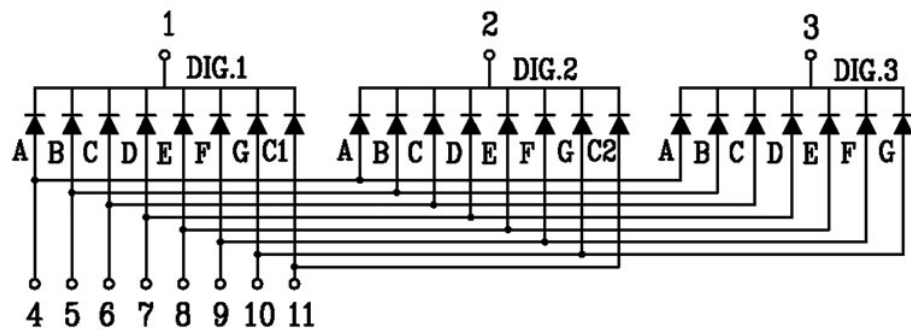


PACKAGE DIMENSIONS



NORMAL TOLERANCE: ±0.25 ANGLE ±1°

INTERNAL CIRCUIT DIAGRAM



12 PIN NO CONNECT