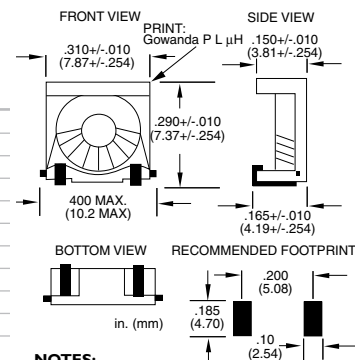


SMP2007 Vertical Power Inductors



PART NUMBER	L μ H \pm 20% @ 1 kHz	DCR MAX	SATURATION CURRENT* DC AMPS	CURRENT RATING** DC AMPS
SMP2007-150M	.15	.006	15.0	5.9
SMP2007-330M	.33	.008	6.0	5.1
SMP2007-470M	.47	.009	4.0	4.8
SMP2007-820M	.82	.010	2.3	4.6
SMP2007-101M	1.0	.012	2.1	4.2
SMP2007-221M	2.2	.016	1.0	3.6
SMP2007-331M	3.3	.020	.80	3.2
SMP2007-561M	5.6	.026	.68	2.8
SMP2007-102M	10	.034	.45	2.5
SMP2007-152M	15	.060	.40	1.9



NOTES:

- Operating temperature -55°C to +125°C
- *Saturation current is the approximate value that will reduce the initial inductance by 10%
- **Rated current is based on a 40°C temperature rise at an ambient temperature of 85°C.

TAPE AND REEL SPECS:

Pcs./Reel maximum:	700
Pitch between parts:	12 mm
Tape width:	24 mm
Reel diameter inches:	13