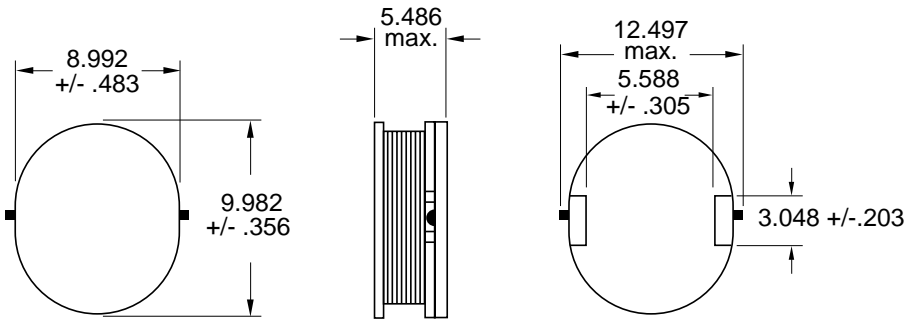


SMPI 45 Surface Mount Power Inductor



Dimensions in mm



Wilco Part Number	Inductance (uh)	Tolerance (%)	Test Freq. (MHz)	DCR Max. (Ohms)	Rated Current (A)
SMPI45-100M	10	20	2.52	0.06	2.6
SMPI45-150M	15	20	2.52	0.08	2.27
SMPI45-220M	22	20	2.52	0.10	1.95
SMPI45-330M	33	20	2.52	0.12	1.5
SMPI45-470K	47	10	2.52	0.17	1.28
SMPI45-680K	68	10	2.52	0.22	1.11
SMPI45-101K	100	10	1 Khz	0.35	0.97
SMPI45-151K	150	10	1 Khz	0.47	0.78
SMPI45-221K	220	10	1 Khz	0.73	0.66
SMPI45-331K	330	10	1 Khz	1.15	0.52
SMPI45-471K	470	10	1 Khz	1.48	0.42
SMPI45-681K	680	10	1 Khz	2.25	0.28
SMPI45-821K	820	10	1 Khz	2.55	0.24

FEATURES

- Small size allows for high mounting density
- Suitable for pick and place assembly
- Suitable for reflow solder
- Large DC current capability with low DC resistance
- Embossed carrier tape packaging
- Polarity identification available
- Custom inductances available

APPLICATIONS

- DC to DC converters
- Switching regulators
- Power supplies
- EMI/RFI filtering

Operating Temp: -30° C to 100° C.

External Appearance: Clean and no external defect by visual inspection

Heat Endurance: Heat at 150° C for 3 minutes; then 200° C for 25 seconds. No mechanical or electrical defect after that when back to room temperature.

Insulation: Over 100M ohm at 100 Vdc (coil and core).

Dielectric: 100 Vdc for one minute (coil and core).

Humidity: Deviate +/- 5%, after 96 hours in 90-95% humidity at 40 degrees C and 1 hour of drying.

Vibration: Deviate +/- 5%, vibration of 1 hour, three direction: 10-55-10 Hz: 1.5mm p-p amplitude.

Shock: Deviate 5% after drop down 100G shock attitude for one time in each direction.

Packaging: 600 per reel

Wilco Corporation

6451 Saguro Ct.
Indianapolis, IN 46268
Hotline 800•611•2343
Fax 317•293•9462
www.wilcocorp.com