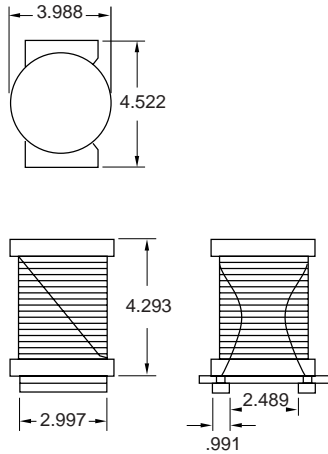


SMPI 20 Surface Mount Power Inductor



Dimensions in mm



Wilco Part Number	Inductance (uh)	Tolerance (%)	Q Min.	Test Freq. (Hz)	SRF Min. (MHz)	DCR Max. (Ohms)	Rated Current (A)
SMPI20-100K	10	10	20	1000	23.5	0.08	1.02
SMPI20-150K	15	10	20	1000	18.5	0.13	0.84
SMPI20-220K	22	10	20	1000	14	0.18	0.70
SMPI20-330K	33	10	20	1000	12	0.35	0.52
SMPI20-470K	47	10	20	1000	10.5	0.45	0.46
SMPI20-680K	68	10	20	1000	8	0.58	0.4
SMPI20-101K	100	10	20	1000	6.3	0.80	0.28
SMPI20-151K	150	10	40	1000	5.2	1.56	0.25
SMPI20-221K	220	10	40	1000	3.9	1.95	0.18
SMPI20-331K	330	10	40	1000	3	3.71	0.15
SMPI20-471K	470	10	40	1000	2.7	4.55	0.14
SMPI20-681K	680	10	40	1000	2.2	5.8	0.12

Inductance Range: 10 uh to 680 uh

Storage Temp. Range: -40 to 85° C

Storage: Do not store under high temp. and high humidity conditions.

Operating Temp. Range: -40 to 80° C

Soldering: Reflow soldering - Max 230° C for 6 sec. Max Hand soldering - Max 350° C for 3 sec. Max

Cleaning: Use organic solvents. This product is susceptible to vibration. If ultrasound cleaning is used follow the following instructions: Power, 20W/L Max. Time, 5 min. Max

Land Pattern: The recommended land pattern gap is 2.0 to 2.5mm. When two or more parts are closely mounted they should be separated by solder resists to prevent excessive solder.

Packaging: 1000 per reel

FEATURES

- Ideal for use in high density circuit design
- Suitable for pick and place assembly
- Suitable for reflow solder
- Large DC current capability with low DC resistance
- Embossed carrier tape packaging
- Polarity identification available
- Custom inductances available

APPLICATIONS

- DC to DC converters
- Switching regulators
- Power supplies
- EMI/RFI filtering

Wilco Corporation

6451 Saguro Ct.
Indianapolis, IN 46268
Hotline 800•611•2343
Fax 317•293•9462
www.wilcocorp.com